

UU9. 8 SERIES COMMON MODE FILTERS

Characteristics

- 1.Small size and inexpensive type
- 2.Operating temperature range:-20°C to +105°C
- 3.Impedance characteristic in high frequency range is improved by split bobbin

Applications

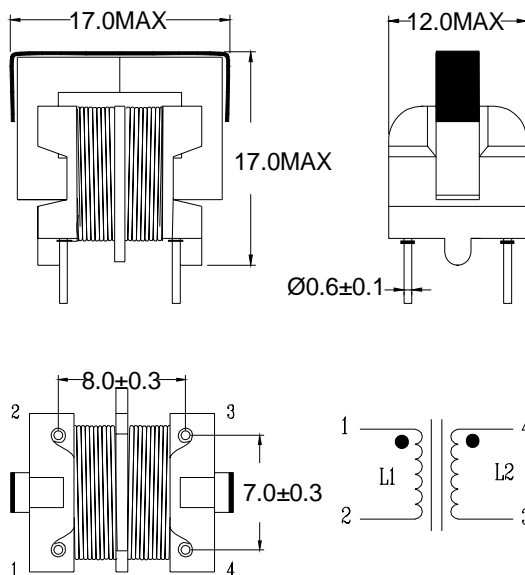
- | | |
|----------------------|--------------------------|
| AC Adapter | LED lighting |
| NC machine | Multi-function telephone |
| PC&PC related device | Swithcing power supply |
| Fax,VCR | TV,OA equipments. |



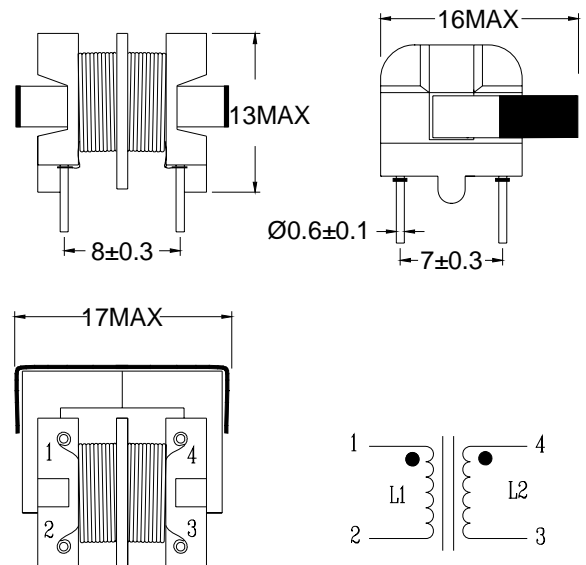
PART NO	Inductance (mH) MIN	L1-L2 (uH) MAX	DCR (OHM) MAX	RATED CURRENT (A) RMS
PW16002DL	2x0.20	50	0.10	2.00
PW16003DL	2x0.47	100	0.18	1.70
PW16004DL	2x0.70	100	0.30	1.20
PW16005DL	2x1.00	100	0.50	1.00
PW16006DL	2x2.00	200	1.00	0.50
PW16007DL	2x5.60	200	2.80	0.40
PW16011DL	2x8.00	200	2.80	0.37
PW16012DL	2x8.60	200	3.50	0.35
PW16008DL	2x10.0	200	3.50	0.30
PW16001DL	2x16.0	200	4.80	0.23
PW16013DL	2x20.0	200	3.50	0.20
PW16009DL	2x22.0	200	6.30	0.20
PW16010DL	2x40.0	400	8.00	0.10

Dimension (UNIT:mm)

Vertical Type



Horizontal Type



UU10.5 SERIES COMMON MODE FILTERS

Characteristics

1. Small size and inexpensive type
2. Operating temperature range: -20°C to +105°C
3. Impedance characteristic in high frequency range is improved by split bobbin

Applications

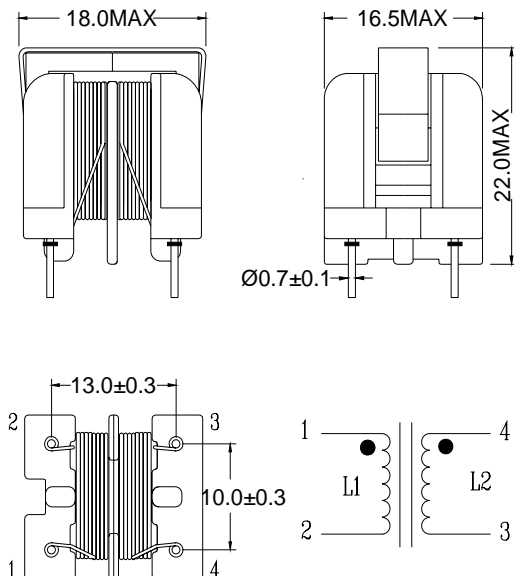
- | | |
|----------------------|--------------------------|
| AC Adapter | LED lighting |
| NC machine | Multi-function telephone |
| PC&PC related device | Switching power supply |
| Fax, VCR | TV, OA equipments. |



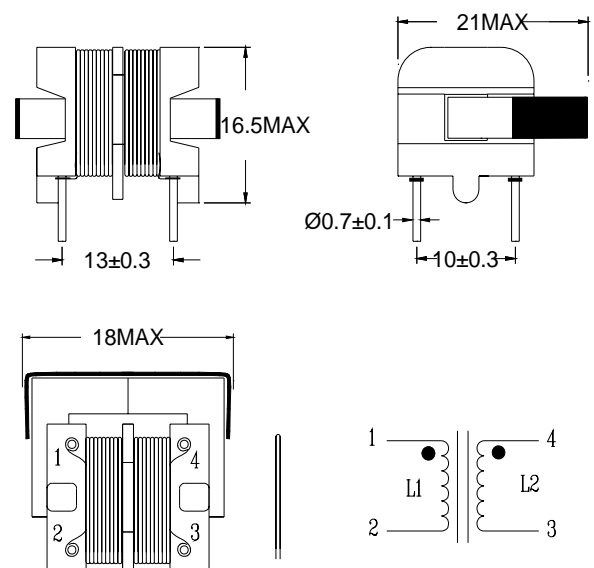
PART NO	Inductance (mH) MIN	L1-L2 (uH) MAX	DCR (OHM) MAX	RATED CURRENT (A) RMS
PW16014DL	2x3.30	100	0.71	0.65
PW16015DL	2x6.80	200	1.26	0.43
PW16016DL	2x12.0	360	2.20	0.34
PW16017DL	2x22.0	440	3.64	0.25
PW16018DL	2x33.0	660	5.74	0.20
PW16019DL	2x50.0	1000	9.12	0.15

Dimension (UNIT:mm)

Vertical Type



Horizontal Type



UU15.7 SERIES COMMON MODE FILTERS

Characteristics

- 1.Small size and inexpensive type
- 2.Operating temperature range:-20°C to +105°C
- 3.Impedance characteristic in high frequency range is improved by split bobbin

Applications

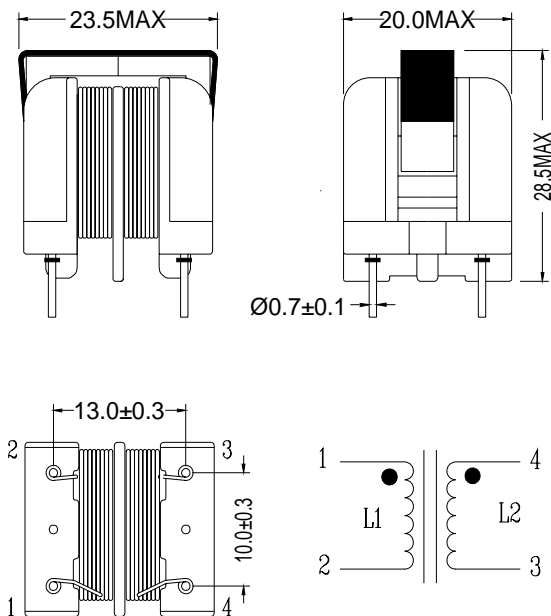
- | | |
|----------------------|--------------------------|
| AC Adapter | LED lighting |
| NC machine | Multi-function telephone |
| PC&PC related device | Switching power supply |
| Fax,VCR | TV,OA equipments. |



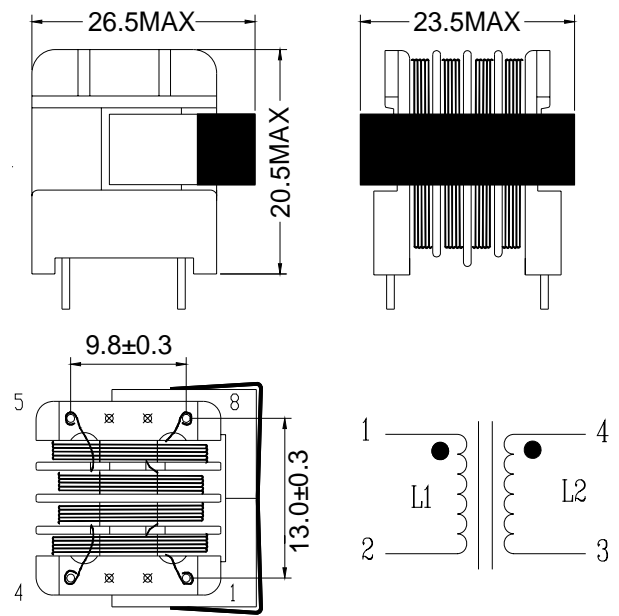
PART NO	Inductance (mH) MIN	L1-L2 (uH) MAX	DCR (OHM) MAX	RATED CURRENT (A) RMS
PW16020DL	2x1.5	40	0.20	1.75
PW16021DL	2x4.0	60	0.35	1.00
PW16022DL	2x8.0	80	0.60	0.80
PW16023DL	2x20.0	200	1.50	0.45
PW16024DL	2x30.0	300	2.50	0.35

Dimension (UNIT:mm)

Vertical Type



Horizontal Type



ET20, UT20 SERIES COMMON MODE FILTERS

Characteristics

- 1.Small size and inexpensive type
- 2.Operating temperature range:-20 °C to +105°C
- 3.Has excellent attenuation characteristics in low frequency band

Applications

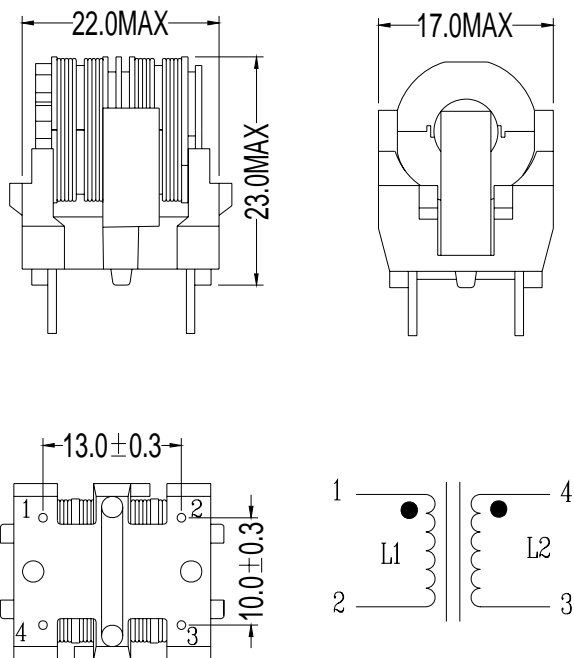
Switching power supply
TV,VCR,OA,AV,UPS equipments.



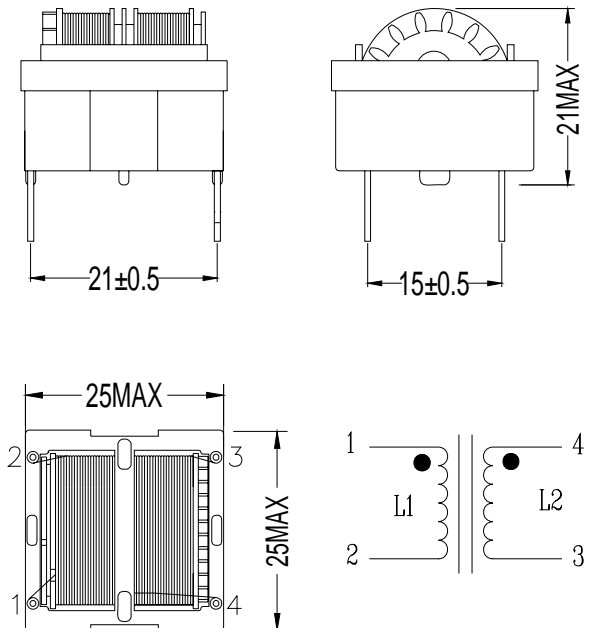
PART NO	Inductance (mH) MIN	L1-L2 (uH) MAX	DCR (OHM) MAX	RATED CURRENT (A) RMS
PW15039DL	2.2	100	0.24	1.30
PW15040DL	3.9	100	0.41	1.00
PW15041DL	10	150	1.00	0.60
PW15042DL	18	200	1.63	0.50
PW15043DL	22	250	2.04	0.40
PW15044DL	33	300	3.40	0.30

Dimension (UNIT:mm)

UT20



ET20



ET24 SERIES COMMON MODE FILTERS

Characteristics

- 1.Small size and inexpensive type
- 2.Operating temperature range:-20℃ to +105℃
- 3.Has excellent attenuation characteristics in low frequency band

Applications

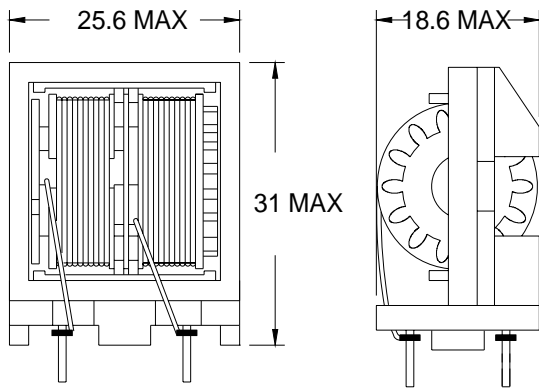
Switching power supply
TV,VCR,OA,AV,UPS equipments.



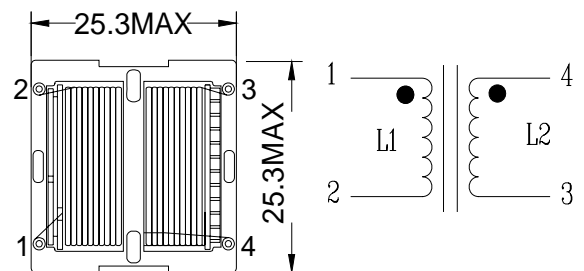
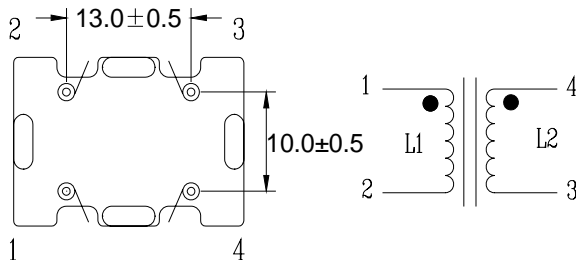
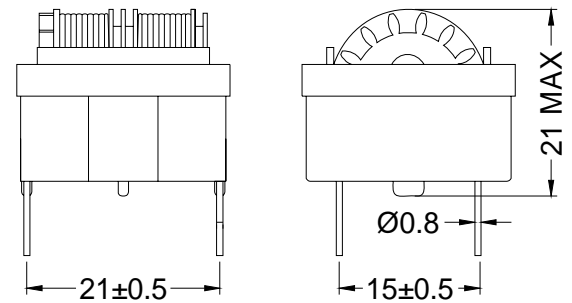
PART NO	Inductance (mH) MIN	L1-L2 (uH) MAX	DCR (OHM) MAX	RATED CURRENT (A) RMS
PW15032DL	2.5	80	0.13	2.00
PW15033DL	3.5	100	0.18	1.70
PW15034DL	4.5	150	0.21	1.50
PW15035DL	10	200	0.47	1.00
PW15036DL	15	250	0.73	0.80
PW15037DL	20	300	0.87	0.70
PW15038DL	35	400	1.58	0.60

Dimension (UNIT:mm)

Vertical Type



Horizontal Type



ET28 SERIES COMMON MODE FILTERS

Characteristics

- 1.Small size and inexpensive type
- 2.Operating temperature range:-20℃ to +105℃
- 3.Has excellent attenuation characteristics in low frequency band

Applications

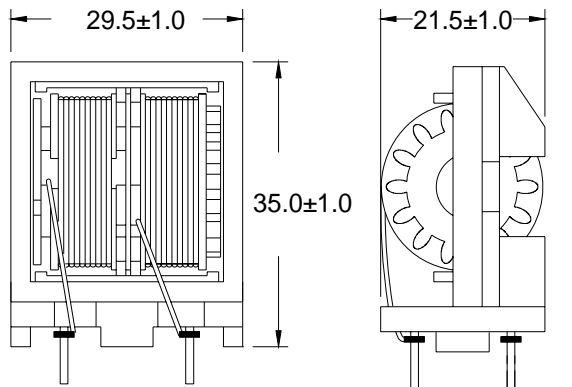
Switching power supply
TV,VCR,OA,AV,UPS equipments.



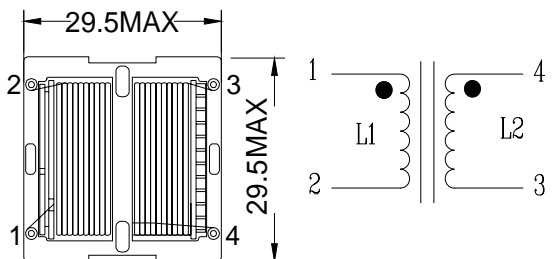
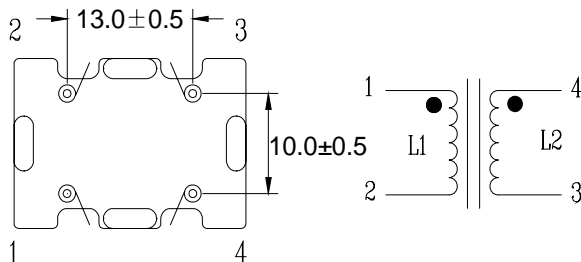
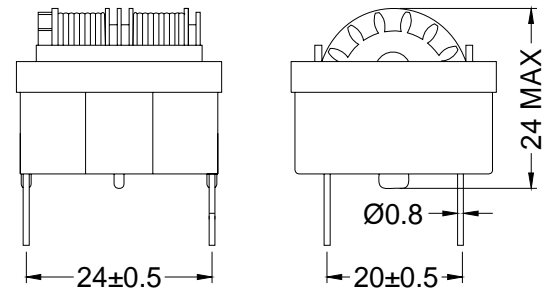
PART NO	Inductance (mH) MIN	L1-L2 (uH) MAX	DCR (OHM) MAX	RATED CURRENT (A) RMS
PW15026DL	1.8	100	0.07	2.60
PW15027DL	6.8	200	0.23	1.60
PW15028DL	12	400	0.38	1.20
PW15029DL	22	500	0.65	1.00
PW15030DL	39	700	1.43	0.70
PW15031DL	68	850	1.82	0.60

Dimension (UNIT:mm)

Vertical Type



Horizontal Type



THT COMMON MODE TOROID INDUCTORS SERIES

Characteristics

1. Has excellent attenuation characteristics in low frequency band
2. Impedance characteristic
3. Operating temperature range: -25°C to +85°C

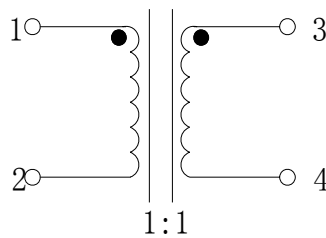
Applications

- Switching power supply
TV, VCR, OA, AV, UPS equipments.
Grid filter and electronic equipment
and electronic instruments and impact resistant disturbance



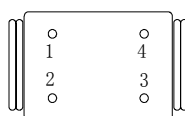
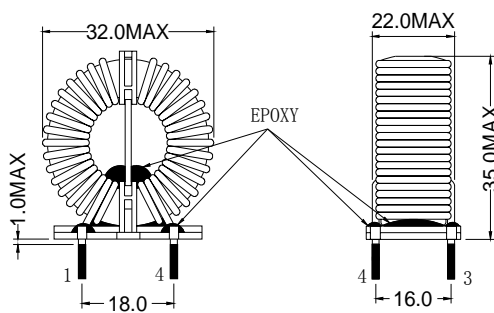
PART NO	L: (uH) MIN @100KHz	L1-L2 (uH) MAX	DCR (OHM) MAX	RATED CURRENT (A) RMS
PW11032DL	425	20	0.012	8.00
PW11033DL	275	20	0.008	10.00
PW11034DL	750	30	0.022	5.00
PW11035DL	1000	50	0.036	3.30
PW11036DL	1700	100	0.065	2.00
PW11037DL	3500	100	0.150	1.50

SCHEMATICS

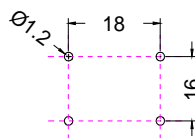


Dimension & Footprint (UNIT:mm)

Vertical Type

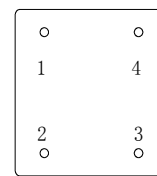
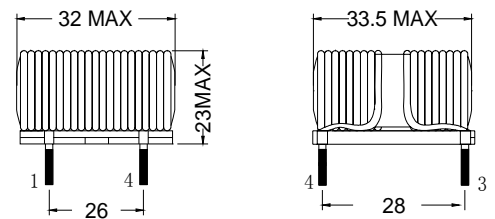


BOTTOM VIEW

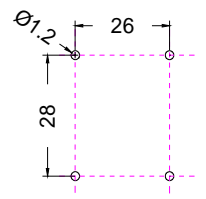


SUGGESTED PAD LAYOUT

Horizontal Type



BOTTOM VIEW



SUGGESTED PAD LAYOUT