

SMT COMMON MODE TOROID INDUCTORS SERIES

Characteristics

1. Has excellent attenuation characteristics in low frequency band
2. Impedance characteristic
3. Operating temperature range: -25°C to +85°C

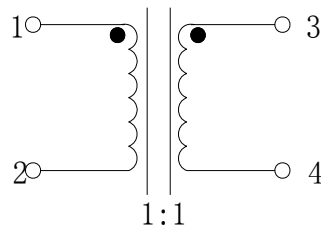
Applications

- Switching power supply
TV, VCR, OA, AV, UPS equipments.
Grid filter and electronic equipment
and electronic instruments and impact resistant disturbance

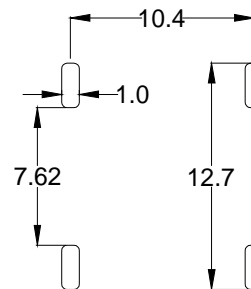
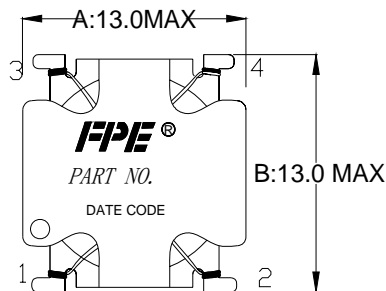
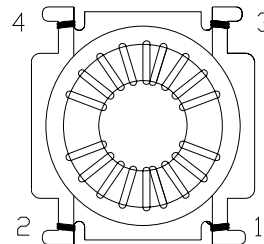
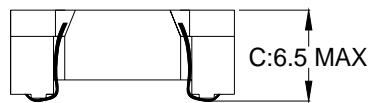


PART NO	L: (uH) $\pm 30\%$ @100KHz	LK: (uH) MIN @100KHz	DCR (mOHM) MAX	RATED CURRENT
PW11027SL	1125	3.0	55	1.8
PW11028SL	383	1.0	18	3.3
PW11029SL	280	1.2	13.2	4.0
PW11030SL	130	0.7	6.8	5.0
PW11031SL	96	0.4	4.3	6.0

SCHEMATICS



Dimension & Footprint (UNIT:mm)



SUGGESTED PAD LAYOUT

SMT COMMON MODE TOROID INDUCTORS SERIES

Characteristics

1. Has excellent attenuation characteristics in low frequency band
2. Impedance characteristic
3. Operating temperature range: -25°C to +85°C

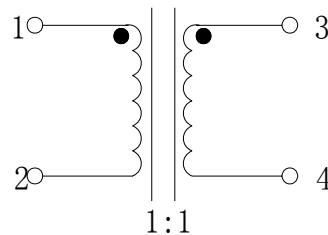
Applications

- Switching power supply
TV, VCR, OA, AV, UPS equipments.
Grid filter and electronic equipment
and electronic instruments and impact resistant disturbance

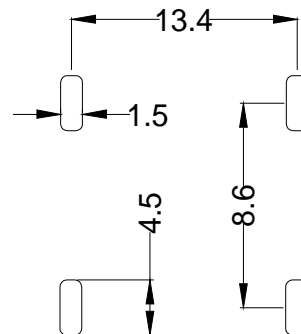
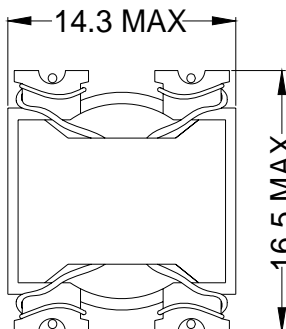
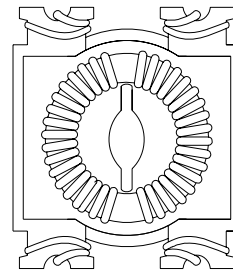
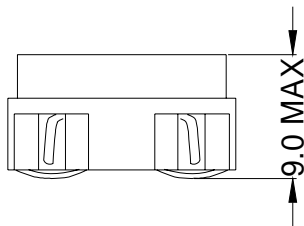


PART NO	L: (uH) $\pm 35\%$ @100KHz	LK: (uH) MIN @100KHz	DCR (mOHM) MAX	RATED CURRENT
PW11042SL	536	1.2	20.0	3.8
PW11043SL	383	1.0	18.0	4.5
PW11044SL	280	1.2	13.2	5.5
PW11045SL	130	0.7	6.8	6.2

SCHEMATICS



Dimension & Footprint (UNIT:mm)



SUGGESTED PAD LAYOUT

SMT COMMON MODE TOROID INDUCTORS SERIES

Characteristics

1. Has excellent attenuation characteristics in low frequency band
2. Impedance characteristic
3. Operating temperature range: -25°C to +85°C

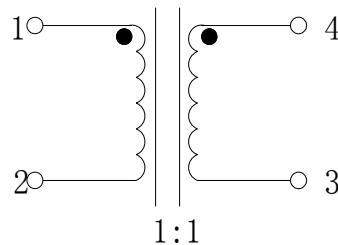
Applications

- Switching power supply
TV, VCR, OA, AV, UPS equipments.
Grid filter and electronic equipment
and electronic instruments and impact resistant disturbance

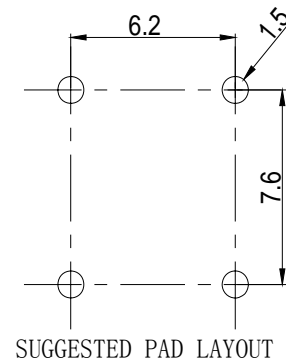
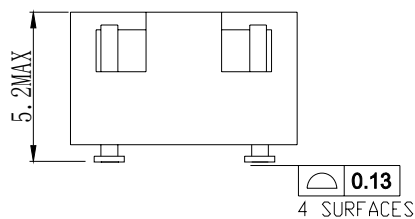
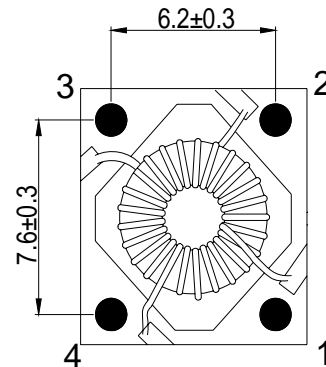
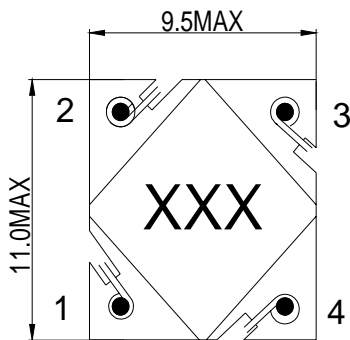


PART NO	L: (mH) $\pm 30\%$ @100KHz	Turns Ratio:	DCR (OHM) MAX	Hi-pot
PW10002CL	4.70	1:1	0.090	500V
PW11003CL	9.00	1:1	0.250	500V

SCHEMATICS



Dimension & Footprint (UNIT:mm)



SMT COMMON MODE TOROID INDUCTORS SERIES

Characteristics

1. Magnetically shielded construction
2. Compact and thin, Large current and Low DCR.
3. Operating temperature range: -25°C to +85°C

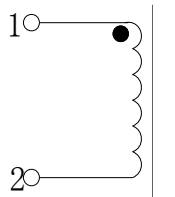
Applications

- TV, VCR, OA, AV, UPS equipments.
Grid filter and electronic equipment
DC/DC CONVERTER ETC.

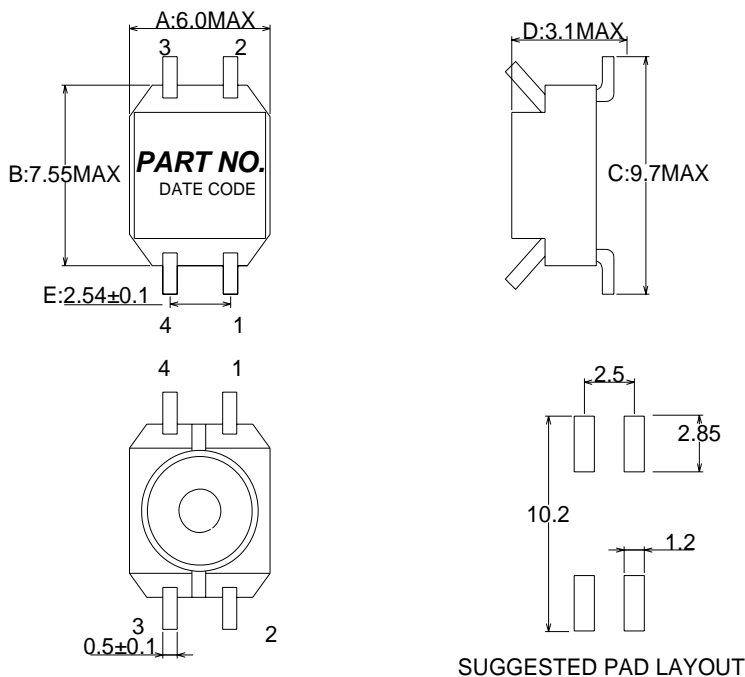


PART NO	L: (uH) $\pm 30\%$ @100KHz	L uH MIN @IDC	TEST FREQ	DCR (OHM)	IDC (A)
PW11033SL	0.5	0.35	100KHz/0.1V	12	5.5
PW11034SL	1.0	0.83	100KHz/0.1V	16	3.5
PW11035SL	2.2	1.6	100KHz/0.1V	22	2.5
PW11036SL	3.9	2.7	100KHz/0.1V	41	1.8
PW11037SL	4.7	3.8	100KHz/0.1V	57	1.5
PW11038SL	5.6	4.5	100KHz/0.1V	60	1.4
PW11039SL	6.8	5.3	100KHz/0.1V	66	1.3
PW11040SL	8.2	6.8	100KHz/0.1V	75	1.2
PW11041SL	10.0	8.5	100KHz/0.1V	98	1.0

SCHEMATICS



Dimension & Footprint (UNIT:mm)



SUGGESTED PAD LAYOUT

DSL COMMON MODE INDUCTORS SERIES

Characteristics

1. Magnetically shielded construction
2. Compact and thin.
3. Operating temperature range: -25 °C to +85 °C

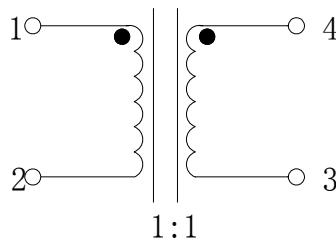
Applications

Range suited for many DSL
And TELECOM APPLICATIONS

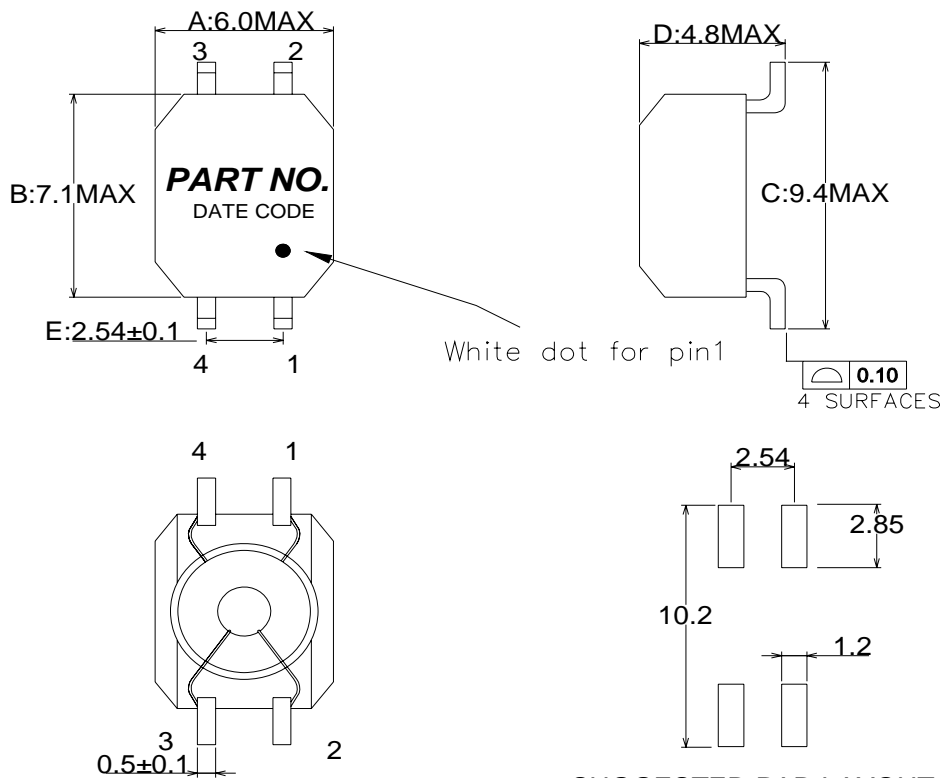


PART NO	L: (uH) $\pm 30\%$ @100KHz	Turns Ratio:	DCR (OHM) MAX	Hi-pot
TM11023ST	4700	1:1	0.700	500V
TM11025ST	2200	1:1	0.400	500V
TM11026ST	1000	1:1	0.300	500V
TM11027ST	470	1:1	0.300	500V

SCHEMATICS



Dimension & Footprint (UNIT:mm)



DSL COMMON MODE INDUCTORS SERIES

Characteristics

1. Magnetically shielded construction
2. Compact and thin.
3. Operating temperature range: -25°C to +85°C

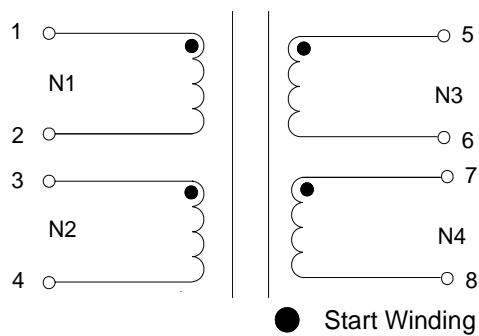
Applications

Range suited for many DSL
And TELECOM APPLICATIONS

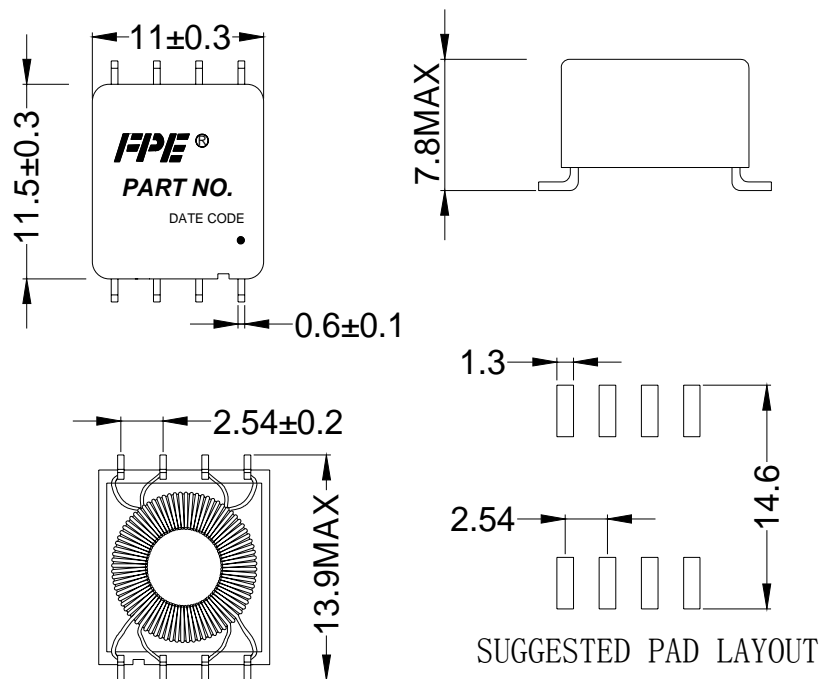


PART NO	L @100KHz	Turns Ratio:	DCR (OHM) MAX	LK @100KHz, 0.1V
TM11024ST	30mH MIN	1:1:1:1	0.5	3.0uH MAX
TM11028ST	10mH MIN	1:1:1:1	0.9	1.1uH MAX
TM11029ST	4.7mH MIN	1:1:1:1	1.4	1.5uH MAX

SCHEMATICS



Dimension & Footprint (UNIT:mm)



SMT PULSE TOROID TRANSFORMER SERIES

Characteristics

1. IEC60950-1, UL60950-1, EN60950-1 Compatible
2. Operating temperature range: -40 °C to +85 °C
3. Supplementary insulation for a primary circuit at a working voltage of 250Vrms

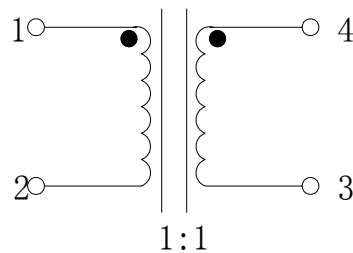
Applications

- ANALOG MODEM
- SIGNAL ISOLATION
- TELECOM
- LAN, POWER LINE COMMUNICATION.

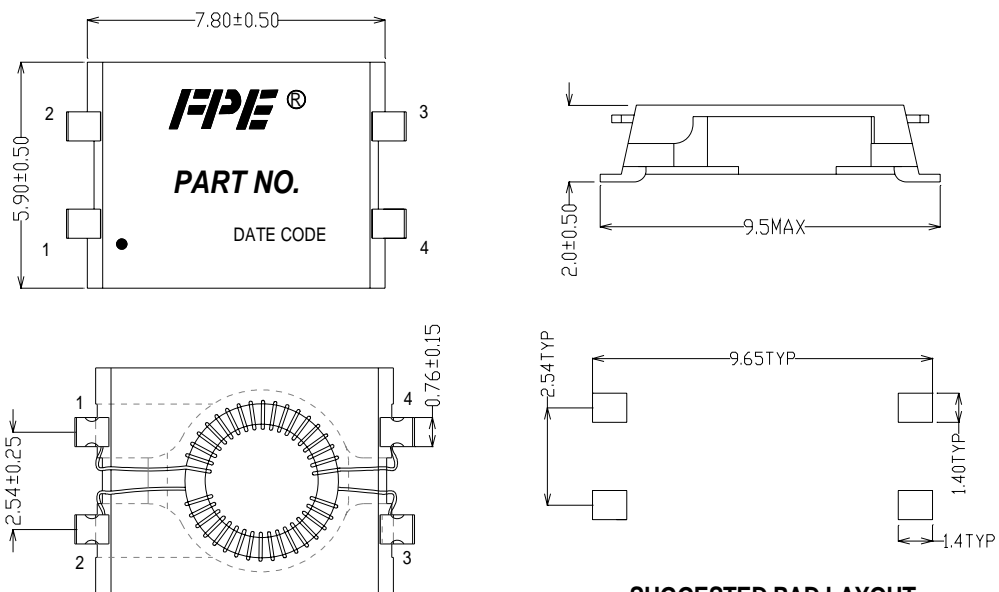


PART NO	L: (uH) $\pm 30\%$ @100KHz	Turns Ratio 1-2:3-4	DCR (OHM) MAX	Hi-pot 1-2:3-4
TM11016ST	60	1:1	0.250	3500VAC
TM11021ST	50	1:1	0.250	3500VAC
TM11020ST	35	1:1.67	0.300	3500VAC

SCHEMATICS



Dimension & Footprint (UNIT:mm)



SUGGESTED PAD LAYOUT