



Home Phone Networking Filter Module

Designed For Use With AMD's 79C978 Phonenumber Ethernet LAN Controller
Support TUT System Home Run Technology.

Excellent Impedance Matching And EMI Filtering.

Available In Through Hole And Surface Mount Packages.

RoHS " -R " peak solder rating 260°C, non-RoHS peak solder rating 225°C

For RoHS part, add suffix -R

Part Number	Insertion Loss (dB max) 4.25 MHz to 9.75MHz		Attenuation (dB min)			Return Loss (dB min) (6MHz □ 9MHz)
	Min	Max	1MHz	22 MHz	54MHz	
M12101MG M12101MG-R	-1.0	-2.2	-60	-35	-50	-12
M14101MP M14101MP-R	-1.0	-2.2	-60	-35	-50	-12
M16104MP M16104MP-R	-1.0	-2.2	-60	-35	-50	-12
M16107MP M16107MP-R	-1.2(4.75M)	-2.2(9.25M)	-60	-35	-50	-12(4.75-9.25MHz)
M20101MO M20101MO-R	-1.0	-2.2	-60	-35	-50	-12
M20102MO M20102MO-R	-1.0	-2.2	-60	-35	-50	-12

Part Number	Cut-off Frequency		Rejection Mode (dB min) (200KHz to 22MHz)	Common to Differential Frequency Response (Ripple)	
	Lower Band MHz(typ)	Upper Band MHz(typ)		4.75-6.25MHz	8.0-9.25MHz
M12101MG M12101MG-R	3.5	11.5	-40	-	-
M14101MP M14101MP-R	3.5	11.5	-40	-	-
M16104MP M16104MP-R	3.5	11.5	-40	-	-
*M16107MP M16107MP-R	3.5	11.5	-	-0.7	-0.7
M20101MO M20101MO-R	3.5	11.5	-40	-	-
M20102MO M20102MO-R	3.5	11.5	-40	-	-

Input Impedance			
Frequency Range (KHz)	Minimum Impedance (Ω)	Frequency Range (KHz)	Minimum Impedance (Ω)
0 < f < 0.285	1 M	1000 < f < = 1400	175
0.285 < f < = 2.85	100K	1400 < f < = 2300	100
2.85 < f < = 28.5	10K	2300 < f < = 2850	50
28.8 < f < = 95	4.0K	2850 < f < = 3085	25
95 < f < = 190	2.0K	3085 < f < = 3725	10
190 < f < = 285	1.4K	3725 < f < = 3935	25
285 < f < = 380	1.0K	3935 < f < = 4000	50
380 < f < = 475	850	10000 < f < = 10450	40
475 < f < = 570	700	10450 < f < = 10925	25
570 < f < = 665	600	10925 < f < = 13125	10
665 < f < = 760	525	13125 < f < = 14175	25
760 < f < = 855	450	14175 < f < = 16800	50
855 < f < = 950	400	16800 < f < = 21000	100
950 < f < = 1000	350	21000 < f < = 30000	50

Specifications Subject To Change Without Notice

TAIWAN
TEL: 00886-3-3310896
FAX: 00886-3-3310865

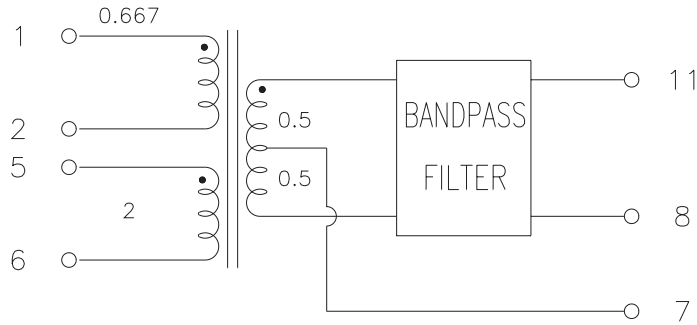
DONGGUAN
TEL: 086-769-86761589
FAX: 086-769-86761549



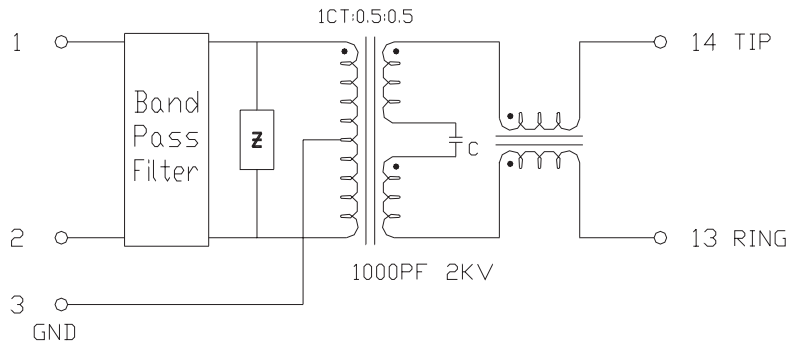
Home Phone Networking Filter Module

SCHEMATICS

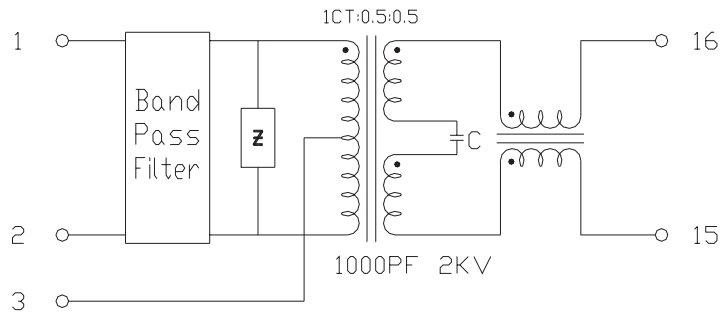
M12101MG
M12101MG-R



M14101MP
M14101MP-R



M16104MP
M16104MP-R



Specifications Subject To Change Without Notice

TAIWAN
TEL: 00886-3-3310896
FAX: 00886-3-3310865

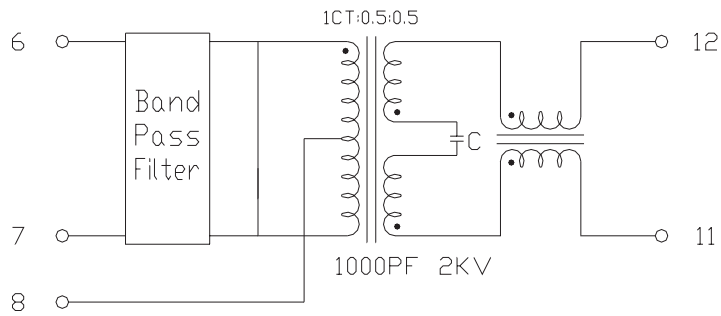
DONGGUAN
TEL: 086-769-86761589
FAX: 086-769-86761549



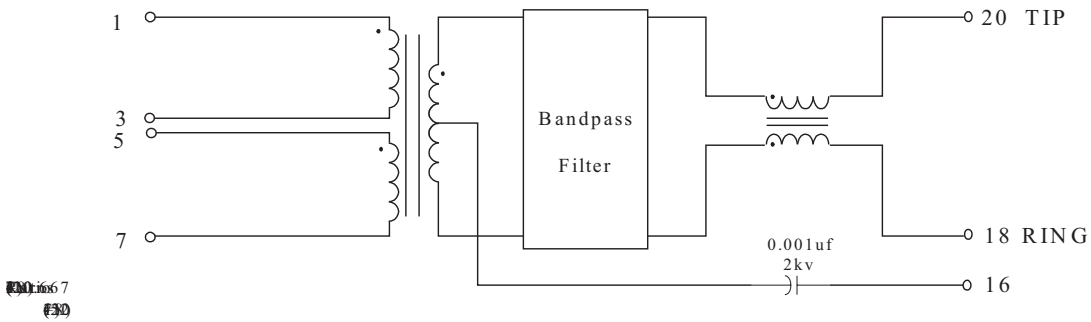
Home Phone Networking Filter Module

SCHEMATICS

M16107MP
M16107MP-R



M20101MO, M20102MO
M20101MO-R, M20102MO-R



M20102MO & M20102MO-R: 1000PF 2KV OMITTED(Shorted)

Specifications Subject To Change Without Notice

TAIWAN
TEL: 00886-3-3310896
FAX: 00886-3-3310865

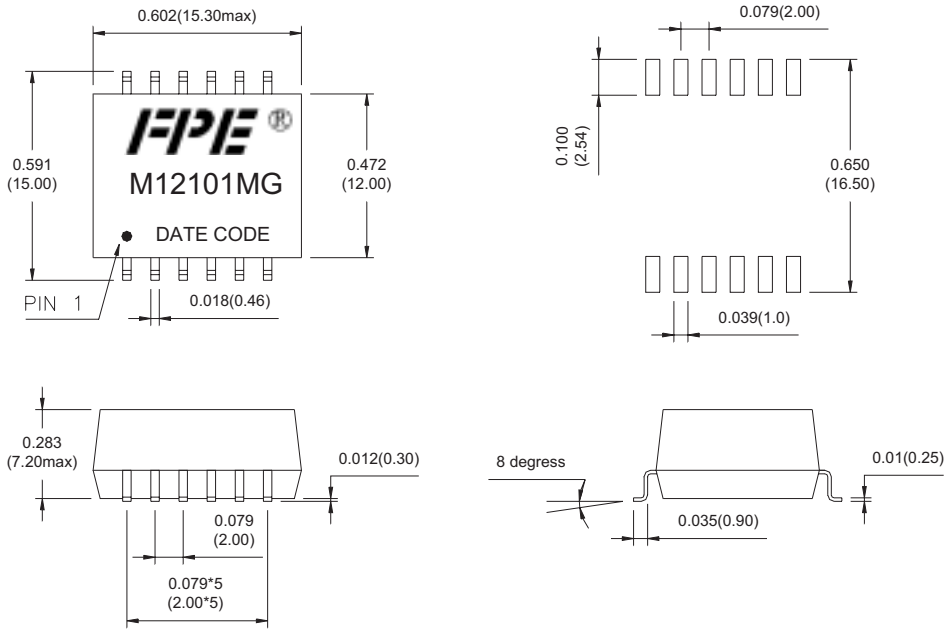
DONGGUAN
TEL: 086-769-86761589
FAX: 086-769-86761549



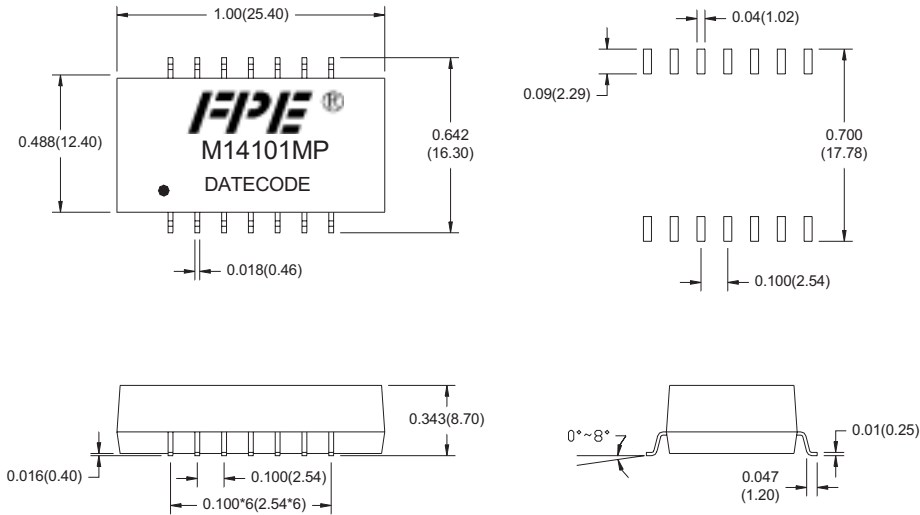
Home Phone Networking Filter Module

MECHANICAL SPECIFICATIONS

M12101MG
M12101MG-R



M14101MP
M14101MP-R



DIMENSIONS : INCHES/(mm) UNLESS OTHERWISE SPECIFIED ALL TOLERANCES ARE ± 0.010(0.25).

Specifications Subject To Change Without Notice

TAIWAN
TEL: 00886-3-3310896
FAX: 00886-3-3310865

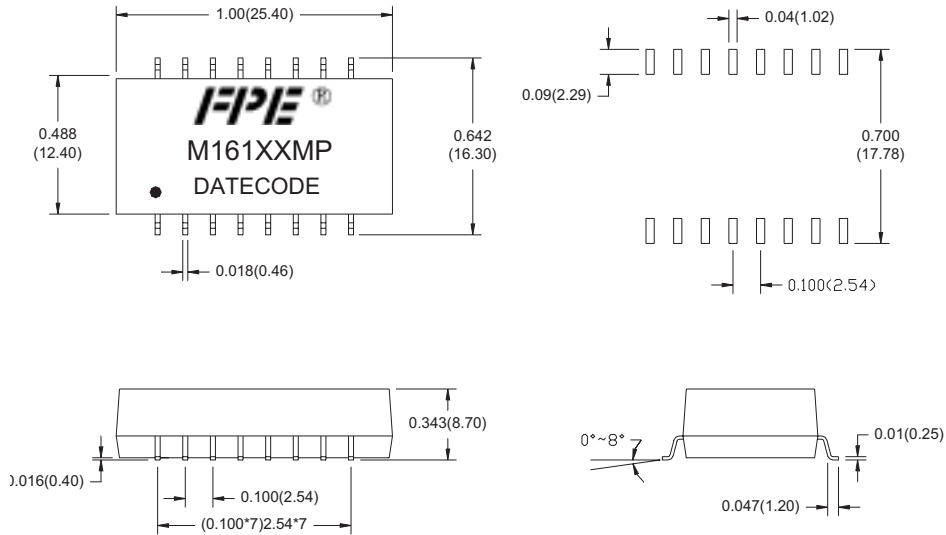
DONGGUAN
TEL: 086-769-86761589
FAX: 086-769-86761549



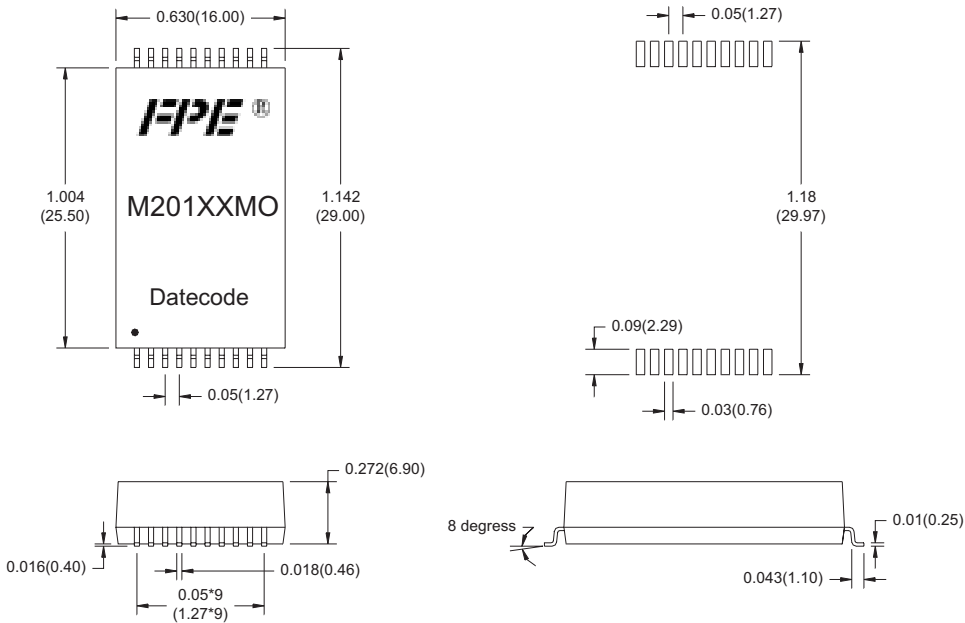
Home Phone Networking Filter Module

MECHANICAL SPECIFICATIONS

M16104MP, M16107MP
M16104MP-R, M16107MP-R



M20101MO, M20102MO
M20101MO-R, M20102MO-R



DIMENSIONS : INCHES/(mm) UNLESS OTHERWISE SPECIFIED ALL TOLERANCES ARE ± 0.010(0.25).

Specifications Subject To Change Without Notice

TAIWAN
 TEL: 00886-3-3310896
 FAX: 00886-3-3310865

DONGGUAN
 TEL: 086-769-86761589
 FAX: 086-769-86761549