



RJ45 Integrated Connector(Gigjack) Modules

Internal magnetics options available.
 Meets or exceeds IEEE 802.3 specification
 350 uH minimum OCL with 8 mA bias current
 High performance for maximum EMI suppression
 Minimum 1500 Vrms isolation per IEEE 802.3 requirement
 Available with or without LEDs



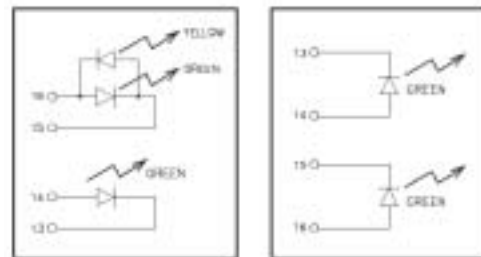
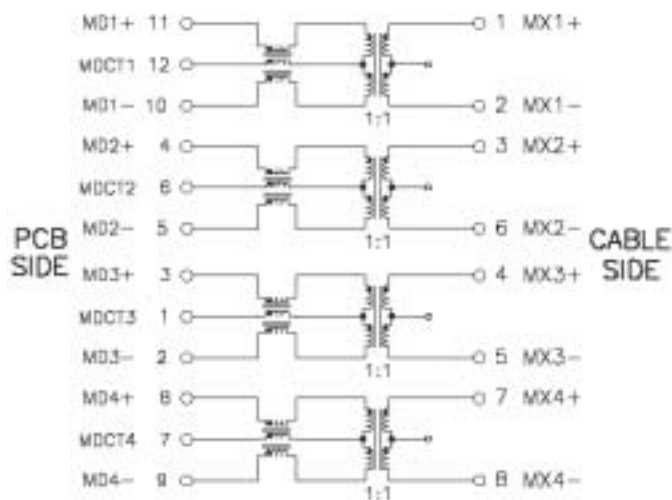
RoHS " -R " peak solder rating 260°C, non-RoHS peak solder rating 225°C
 For RoHS part, add suffix -R

ELECTRICAL SPECIFICATIONS @ 25°C (Operating Temperature : 0°C to 70°C)

Part Number	Ports	Turns Rations		EMI Fingers	LEDs L/F	Insertion Loss (dB typ)				Return Loss (dB typ)			Cross talk (dB typ)		Common Mode Rejection (dB typ)	
		TX	RX			L/R	1-65MHz	1-30MHz	30-60MHz	60-80MHz	1-30MHz	30-60MHz	60-80MHz	1-50MHz	50-150MHz	
RJG1001 RJG1001-R	1x1	1CT:1	1CT:1	Yes	G/G	-1.0	-16	-12	-10	-40	-35	-30	-30	-20		
RJG1002 RJG1002-R	1x1	1CT:1	1CT:1	Yes	Y-G/G	-1.0	-16	-12	-10	-40	-35	-30	-30	-20		
RJG1003 RJG1003-R	1x1	1CT:1	1CT:1	Yes	NONE	-1.0	-16	-12	-10	-40	-35	-30	-30	-20		
RJG1004 RJG1004-R	1x1	1CT:1	1CT:1	Yes	NONE	-1.0	-16	-12	-10	-40	-35	-30	-30	-20		
RJG1005 RJG1005-R	1x1	1CT:1	1CT:1	Yes	Y-G/G	-1.0	-16	-12	-10	-40	-35	-30	-30	-20		

SCHEMATICS

RJG1001,RJG1002,RJG1003,RJG1004-R
 RJG1001-R,RJG1002-R,RJG1003-R,RJG1004-R



Specifications Subject To Change Without Notice

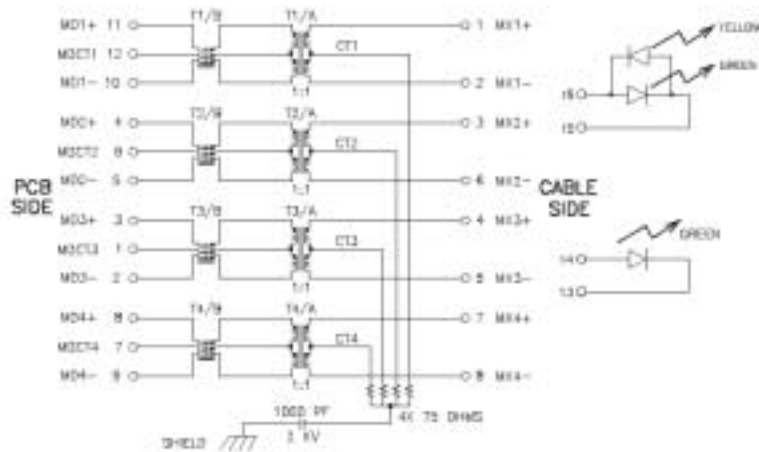
TAIWAN
 TEL: 00886-3-3310896
 FAX: 00886-3-3310865

DONGGUAN
 TEL: 086-769-86761589
 FAX: 086-769-86761549

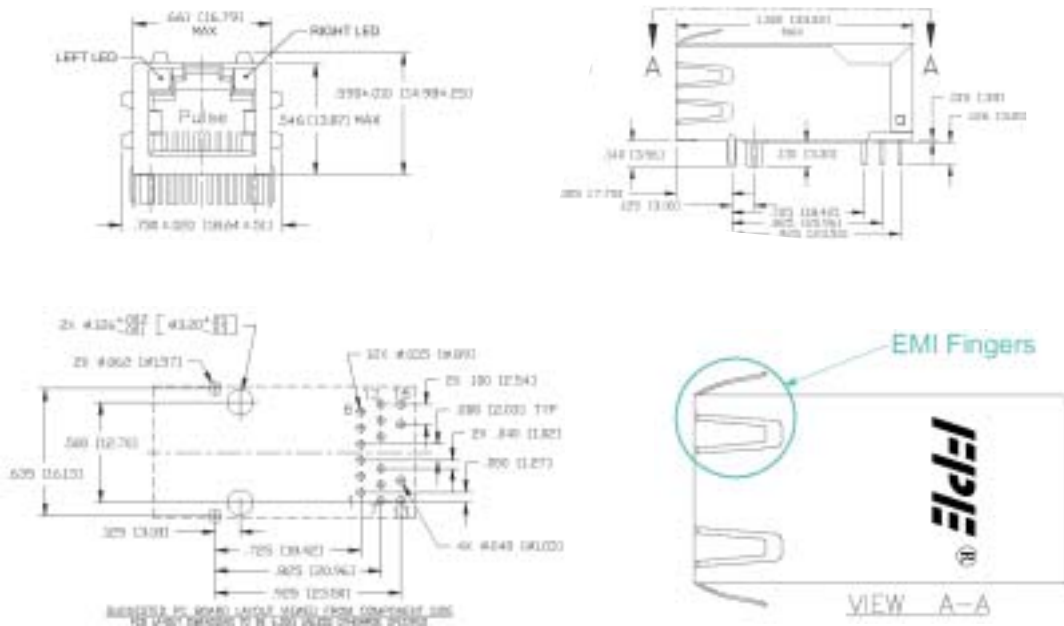
RJ45 Integrated Connector(Gigjack) Modules

SCHEMATICS

RJG1005
RJG1005-R



MECHANICAL SPECIFICATIONS



RJG1003 and RJG1004 are supplied without LEDs.

Specifications Subject To Change Without Notice

TAIWAN
TEL: 00886-3-3310896
FAX: 00886-3-3310865

DONGGUAN
TEL: 086-769-86761589
FAX: 086-769-86761549