



RJ45 Integrated Connector(Gigjack) Modules

10/100/1000 Base-T RJ45 single port (1x1) Tab-UP with or without LEDs integrated magnetics connector (ICM), designed to support applications, and PC applications such as Network Interface Cards (NIC), LAN-on-Motherboard (LOM), and PC applications.



1xN Tab-UP 10-pin RJ45 with internal magnetics
 Suitable for CAT 5 & 6 Fast Ethernet Cable or better UTP
 Meets IEEE 802.3 specification
 350 μ H minimum OCL with 8mA bias current
 Minimum 1500 Vrms isolation per IEEE 802.3 requirement
 High performance for maximum EMI suppression
 RoHS " -R " peak solder rating 260°C, non-RoHS peak solder rating 225°C
 For RoHS part, add suffix -R

ELECTRICAL SPECIFICATIONS @ 25°C (Operating Temperature : 0°C to 70°C)

Part Number	Ports	Turns Rations		EMI Fingers	LEDs L/F	Insertion Loss (dB typ)	Return Loss (dB typ)				Cross talk (dB typ)			Common Mode Rejection (dB typ)	
		TX	RX				L/R	1-65MHz	1-30MHz	30-60MHz	60-80MHz	1-30MHz	30-60MHz	60-80MHz	1-50MHz
RJG2001 RJG2001-R	1x2	1CT:1	1CT:1	Yes	G/G	-1.0	-16	-12	-10	-40	-35	-30	-30	-20	
RJG2002 RJG2002-R	1x2	1CT:1	1CT:1	Yes	G/G	-1.0	-16	-12	-10	-40	-35	-30	-30	-20	
RJG4001 RJG4001-R	1x4	1CT:1	1CT:1	Yes	G/G	-1.0	-16	-12	-10	-40	-35	-30	-30	-20	
RJG4002 RJG4002-R	1x4	1CT:1	1CT:1	Yes	G/G	-1.0	-16	-12	-10	-40	-35	-30	-30	-20	
RJG6001 RJG6001-R	1x6	1CT:1	1CT:1	Yes	G/G	-1.0	-16	-12	-10	-40	-35	-30	-30	-20	
RJG8001 RJG8001-R	1x8	1CT:1	1CT:1	Yes	G/G	-1.0	-16	-12	-10	-40	-35	-30	-30	-20	

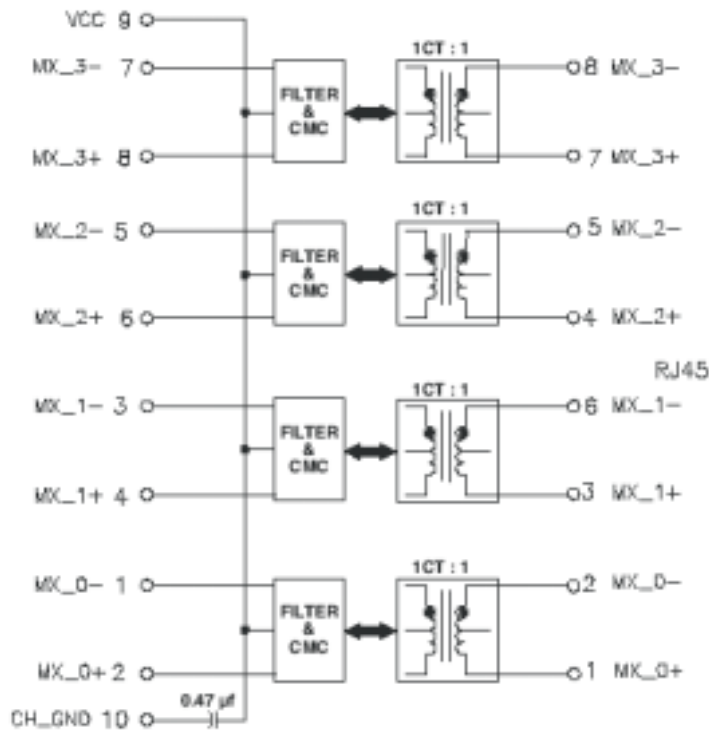
Specifications Subject To Change Without Notice

TAIWAN
 TEL: 00886-3-3310896
 FAX: 00886-3-3310865

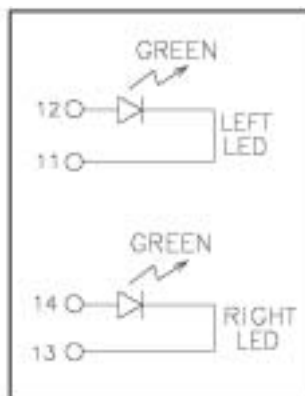
DONGGUAN
 TEL: 086-769-86761589
 FAX: 086-769-86761549

RJ45 Integrated Connector(Gigjack) Modules

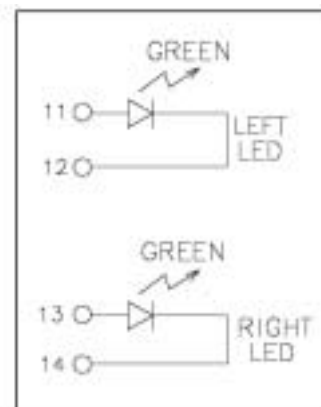
SCHEMATICS



RJG2002
RJG4002
RJG6001
RJG8001



RJG2001
RJG4001



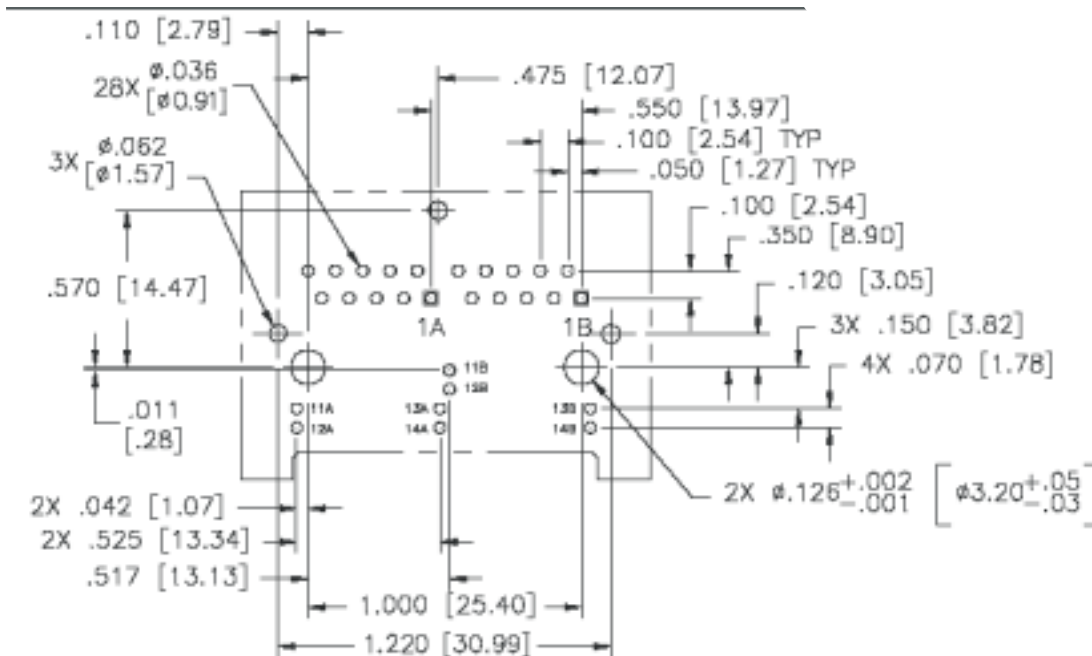
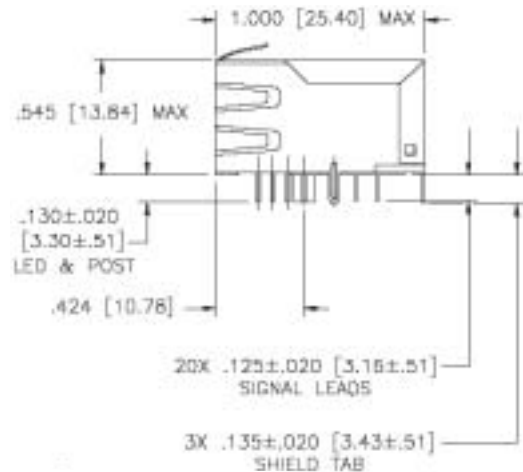
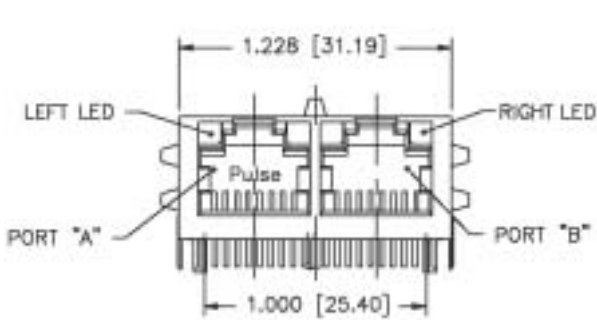
Specifications Subject To Change Without Notice



RJ45 Integrated Connector(Gigjack) Modules

MECHANICAL SPECIFICATIONS

RJG2001,RJG2001-R
 RJG2002,RJG2002-R



Specifications Subject To Change Without Notice

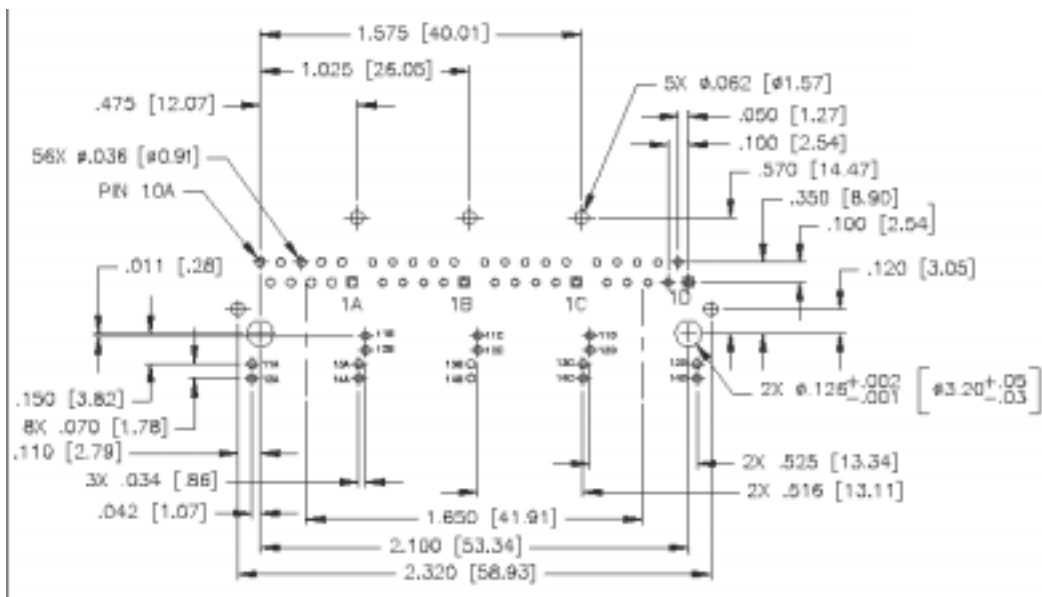
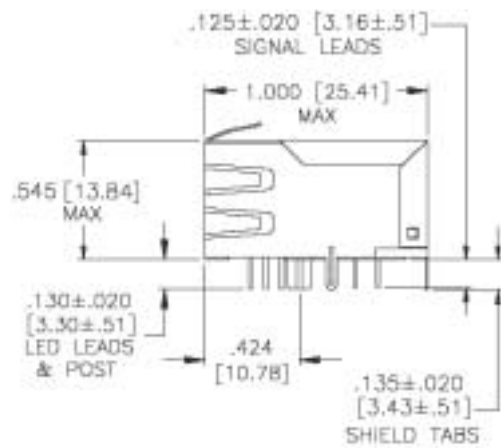
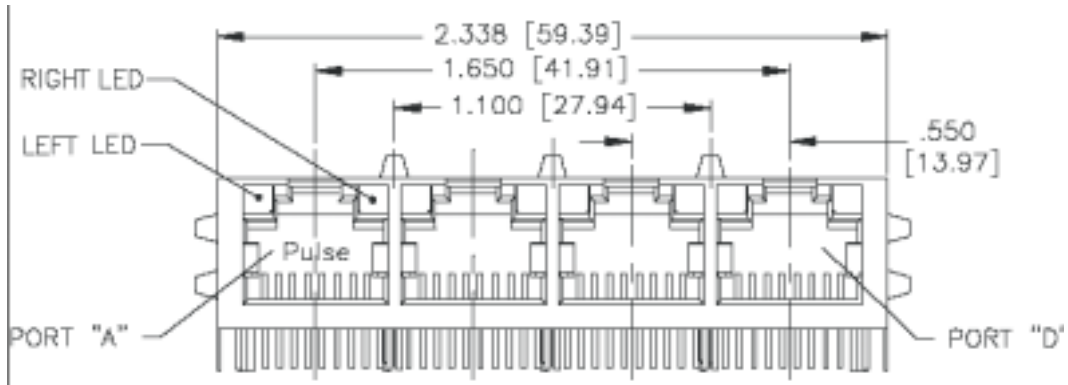
TAIWAN
 TEL: 00886-3-3310896
 FAX: 00886-3-3310865

DONGGUAN
 TEL: 086-769-86761589
 FAX: 086-769-86761549



RJ45 Integrated Connector(Gigjack) Modules

MECHANICAL SPECIFICATIONS



Specifications Subject To Change Without Notice

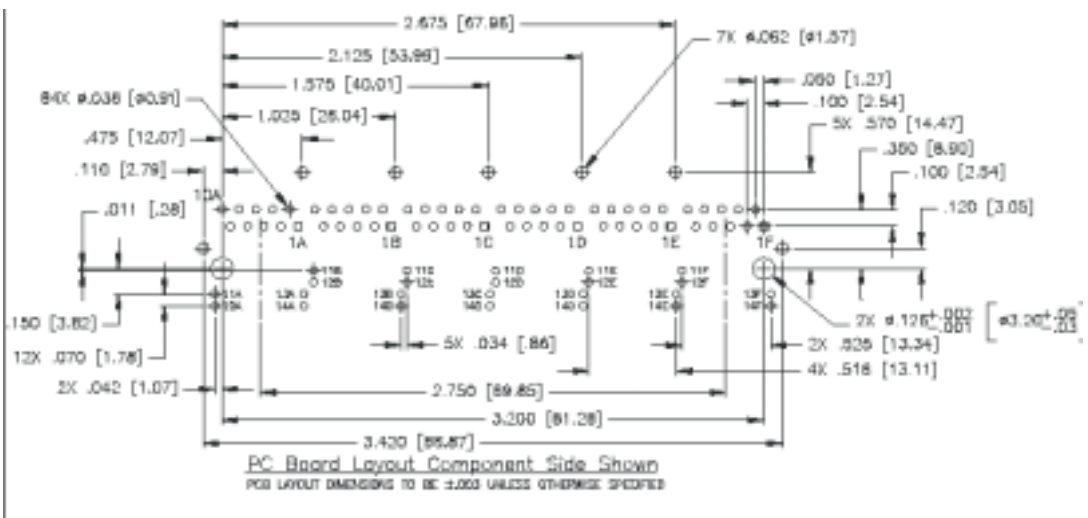
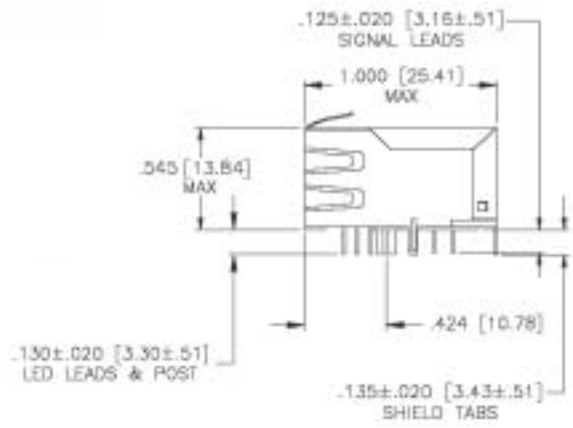
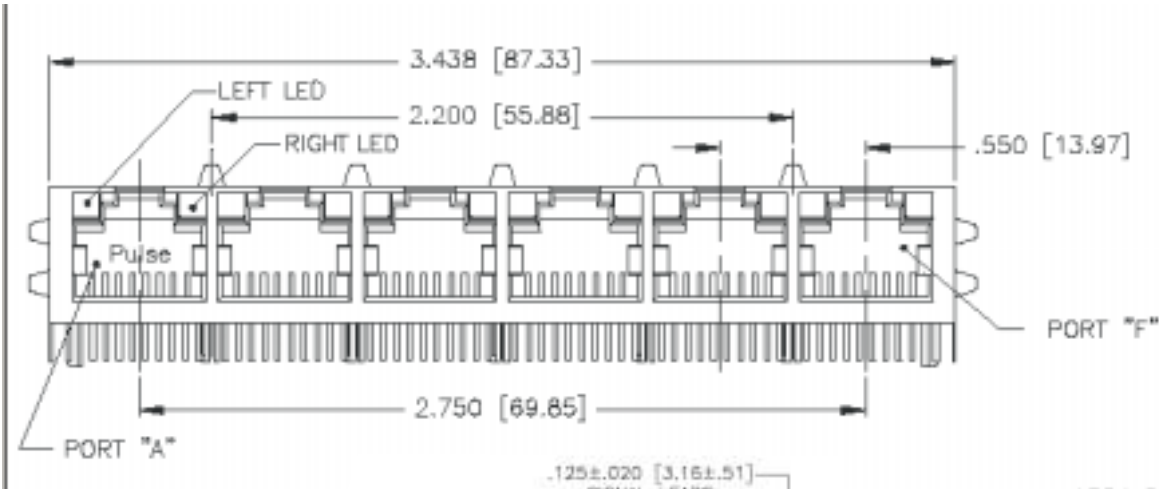
TAIWAN
 TEL: 00886-3-3310896
 FAX: 00886-3-3310865

DONGGUAN
 TEL: 086-769-86761589
 FAX: 086-769-86761549



RJ45 Integrated Connector(Gigjack) Modules

MECHANICAL SPECIFICATIONS



Specifications Subject To Change Without Notice

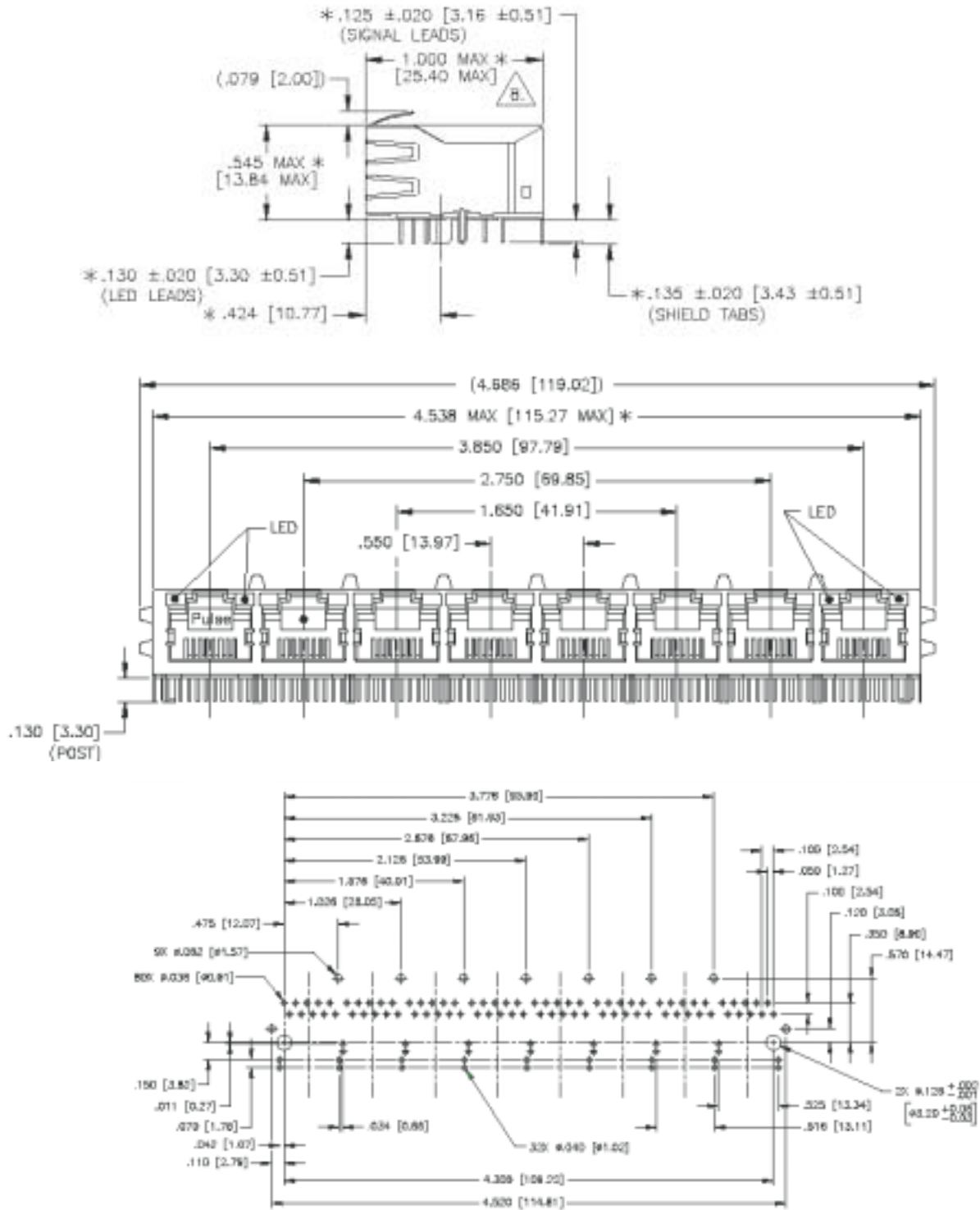
TAIWAN
TEL: 00886-3-3310896
FAX: 00886-3-3310865

DONGGUAN
TEL: 086-769-86761589
FAX: 086-769-86761549



RJ45 Integrated Connector(Gigjack) Modules

MECHANICAL SPECIFICATIONS



Specifications Subject To Change Without Notice

TAIWAN
 TEL: 00886-3-3310896
 FAX: 00886-3-3310865

DONGGUAN
 TEL: 086-769-86761589
 FAX: 086-769-86761549