



RJ45 Integrated Connector Modules

Internal magnetics options available.
 Meets or exceeds IEEE 802.3 specification
 350 uH minimum OCL with 8 mA bias current
 High performance for maximum EMI suppression
 Minimum 1500 Vrms isolation per IEEE 802.3 requirement
 Available with or without LEDs
RoHS " -R" peak solder rating 260°C, non-RoHS peak solder rating 225°C
For RoHS part, add suffix -R

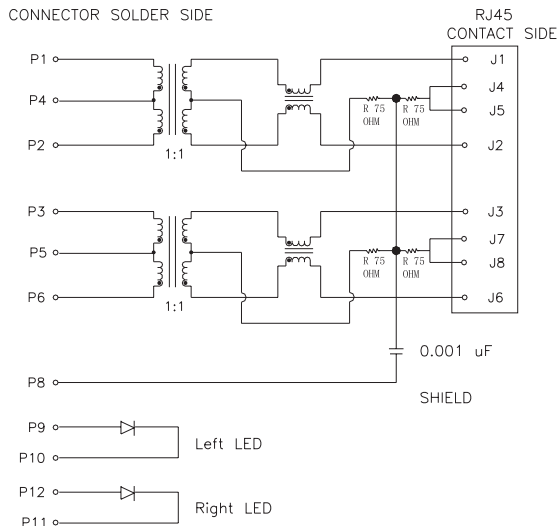


ELECTRICAL SPECIFICATIONS @ 25°C (Operating Temperature : 0°C to 70°C)

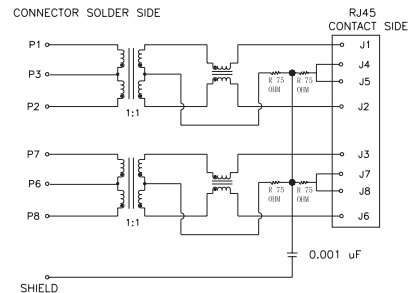
| Part Number | Ports | Turns Ratios | | EMI Fingers | LEDs L/F | Insertion Loss (dB typ) | | | | Return Loss (dB typ) | | | Common Mode Rejection (dB typ) | |
|----------------------|-------|--------------|-------|-------------|----------|-------------------------|---------|---------|----------|----------------------|---------|----------|--------------------------------|---------|
| | | TX | RX | | | L/R | 1-65MHz | 1-30MHz | 30-60MHz | 60-80MHz | 1-30MHz | 30-60MHz | 60-80MHz | 1-50MHz |
| RJ1001L RJ1001L-R | 1x1 | 1CT:1 | 1CT:1 | No | G/Y | -1.0 | -16 | -12 | -10 | -40 | -35 | -30 | -30 | -20 |
| RJ1002N RJ1002N-R | 1x1 | 1CT:1 | 1CT:1 | No | - | -1.0 | -16 | -12 | -10 | -40 | -35 | -30 | -30 | -20 |
| RJ4001L RJ4001L-R | 1x4 | 1CT:1 | 1CT:1 | No | G/Y | -1.0 | -16 | -12 | -10 | -40 | -35 | -30 | -30 | -20 |
| RJ4001N RJ4001N-R | 1x4 | 1CT:1 | 1CT:1 | No | - | -1.0 | -16 | -12 | -10 | -40 | -35 | -30 | -30 | -20 |

SCHEMATICS

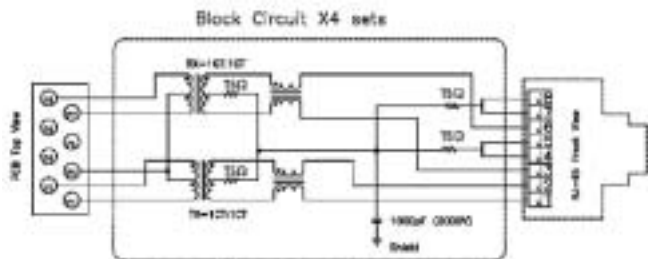
RJ1001L,RJ1001L-R
 RJ4001L,RJ4001L-R



RJ1002N,RJ1002N-R



RJ4001N,RJ4001N-R



Specifications Subject To Change Without Notice

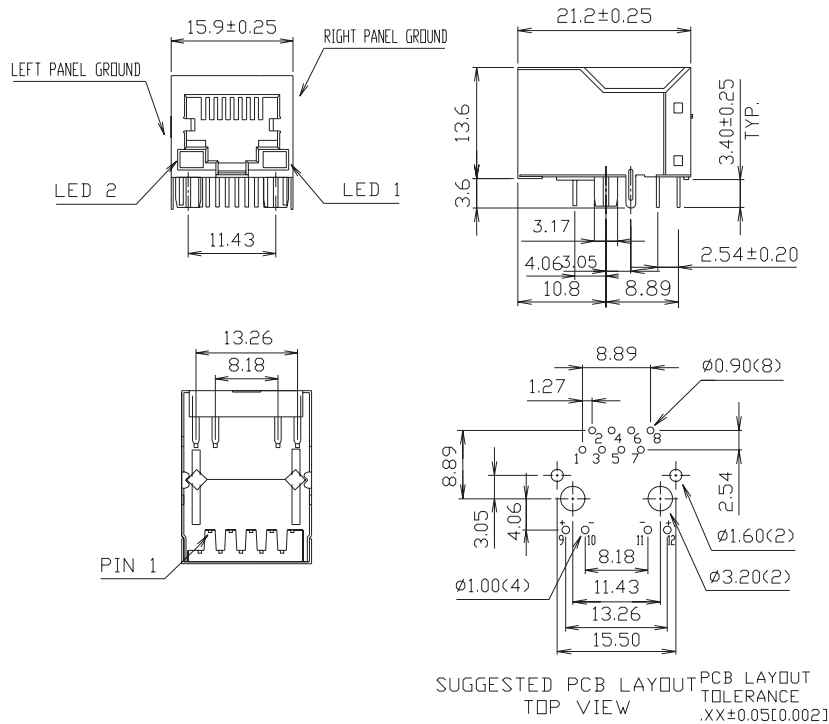
TAIWAN
 TEL: 00886-3-3310896
 FAX: 00886-3-3310865

DONGGUAN
 TEL: 086-769-86761589
 FAX: 086-769-86761549

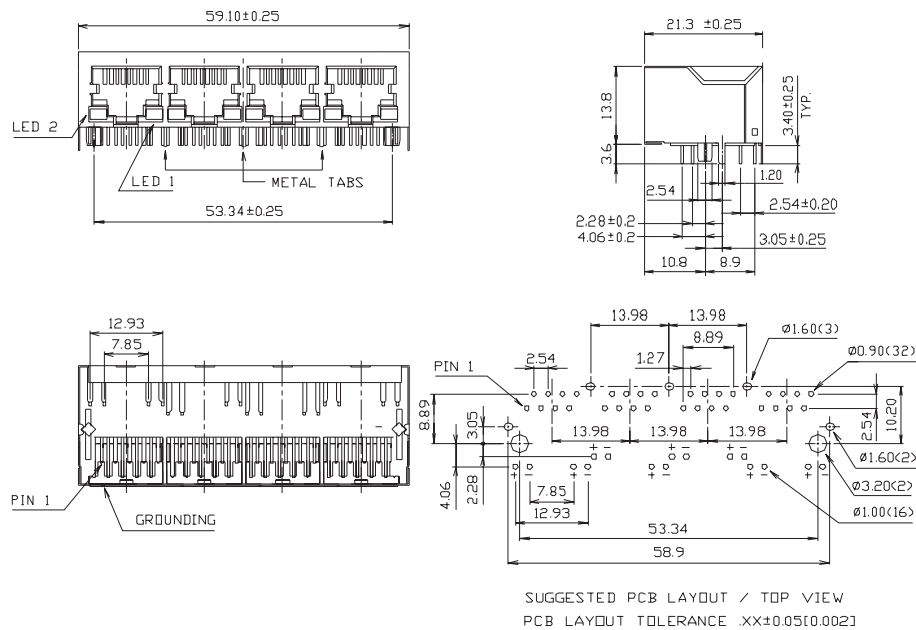
RJ45 Integrated Connector Modules

DIMENSIONS & MARKING

RJ1001L, RJ1001L-R



RJ4001L, RJ4001L-R



Specifications Subject To Change Without Notice

TAIWAN
TEL: 00886-3-3310896
FAX: 00886-3-3310865

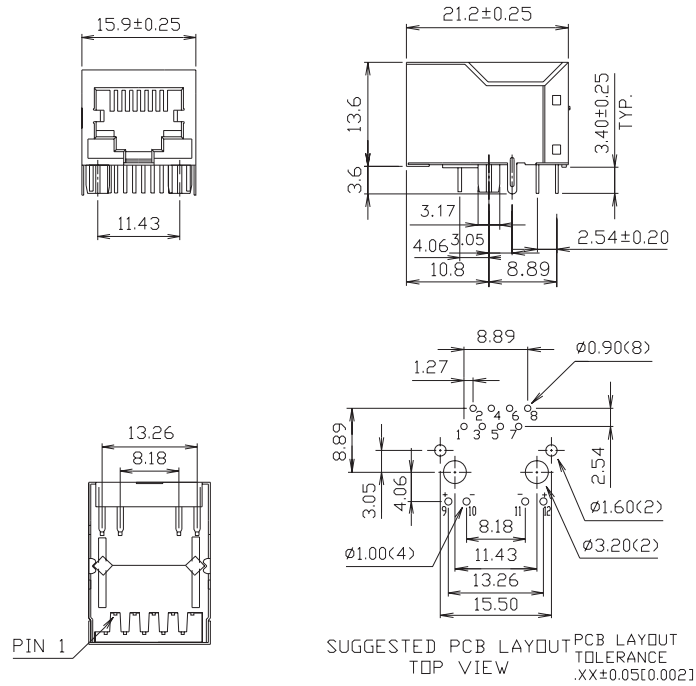
DONGGUAN
TEL: 086-769-86761589
FAX: 086-769-86761549



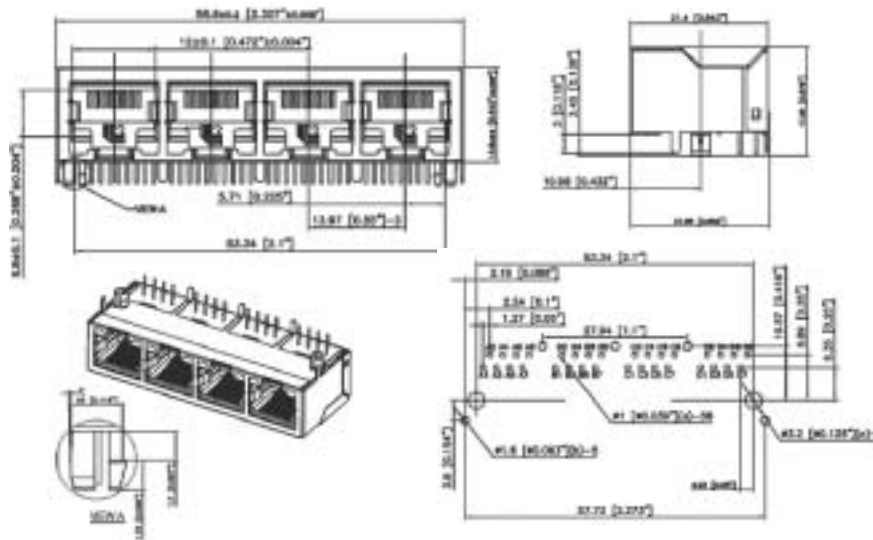
RJ45 Integrated Connector Modules

DIMENSIONS & MARKING

RJ1002N,RJ1002N-R



RJ4001N,RJ4001N-R



Specifications Subject To Change Without Notice

TAIWAN
 TEL: 00886-3-3310896
 FAX: 00886-3-3310865

DONGGUAN
 TEL: 086-769-86761589
 FAX: 086-769-86761549