



## TELEPHONE JACK RJ-45 PRODUCTS

RoHS " -R " peak solder rating 260°C, non-RoHS peak solder rating 225°C  
For RoHS part, add suffix -R



### TECHNICAL SPECIFICATON

#### 1 ELECTRICAL:

- 1.1 VOLTAGE RATING: 1.25VAC RMS
- 1.2 CURRENT RATING: 1.5AMP
- 1.3 CONTACT RESISTANCE: 3.5 MILLIOHMS MAX.
- 1.4 INSULATION RESISTANCE: 1000 MEGOHMS MIN. 500VDC

#### 2. MECHANICAL:

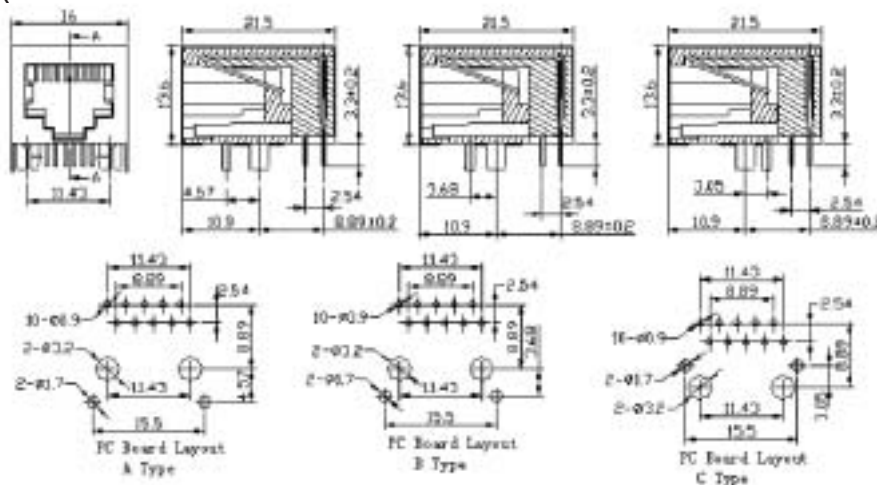
- 2.1 HOUSING MATERIAL: GLASS FILLED POLYESTER 94V-0
- 2.2 CONTACT MATERIAL: PHOSPHOR BRONZE  $\square$ 0.46mm
- 2.3 PLATING: GOLD PLATING OVER NICKEL
- 2.4 OPERATING LIFE: 750 CYCLES MIN.
- 2.5 PCB RETENTION PRE-SOLDER: 1 LB MIN.
- 2.6 PCB RETENTION POST-SOLDER: 10 LBS MIN.

#### 3 ENVIRONMENTAL:

- 3.1 STORAGE: -40°C TO +85°C
- 3.2 OPERATION: 0°C TO 70°C
- 3.3 MATES WITH MODULAR PLUG CONFORMING TO FCC PART 68, SUBPART F.

### MECHANICAL

C0072, C0072-R



Specifications Subject To Change Without Notice

TAIWAN  
TEL: 00886-3-3310896  
FAX: 00886-3-3310865

DONGGUAN  
TEL: 086-769-86761589  
FAX: 086-769-86761549



## TELEPHONE JACK RJ-11 PRODUCTS

RoHS " -R " peak solder rating 260°C, non-RoHS peak solder rating 225°C  
For RoHS part, add suffix -R



### TECHNICAL SPECIFICATON

#### 1 MECHANICAL:

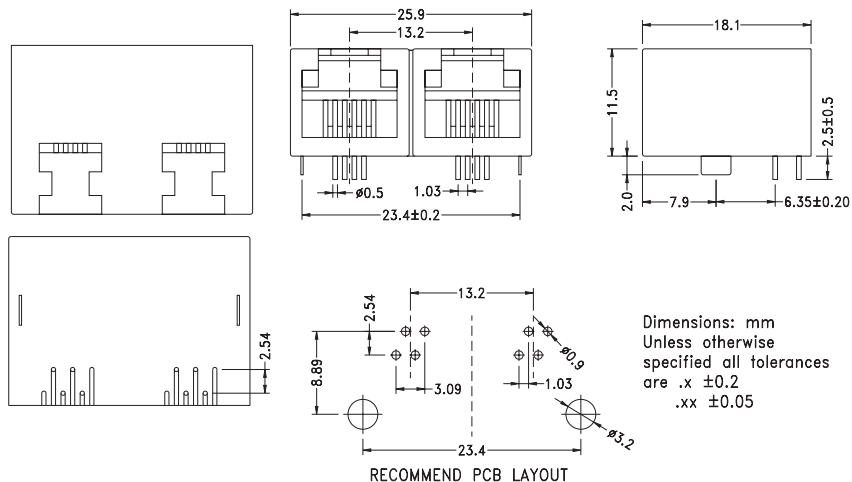
- 1.1 HOUSING MATERIAL: ABS RESIN(UL 94V-0), GLASS FILLED PBT UL 94V-0 SUPER NYLON 66.
- 1.2 CONTACT WIRE:  $\phi$  0.45mm DIAMETER PHOSPHOR BRONZE GOLDPLATING OVER NICKEL, 0.35mm THICKNESS,
- 1.3 SHIELDING: 0.23mm THICKNESS COPPER ALLOY WITH TIN PLATED.
- 1.4 GOLD PLATING: 3u Inch, 6u Inch, 15u Inch, 30u Inch, 50u Inch
- 1.5 OPERATING TEMPERATURE: -40°C ~ 80°C
- 1.6 INSERTION FORCE: 1.1 KGS FOR 4 CONTACT
- 1.7 RETENTION STRENGTH: 7.70 KGS BETWEEN JACK AND PLUG.
- 1.8 DURABILITY: 750 MATING CYCLES

#### 2 ELECTRICAL:

- 2.1 CURRENT RATING: 1.5AMPS MAX. @25°C
- 2.2 VOLTAGE RATING: 150 AC MAX.
- 2.3 WITH STANDING VOLTAGE: 1000VAC RMS 50Hz OR 60Hz 1 MINUTE.
- 2.4 CONTACT RESISTANCE: 20 MILLIOHMS MAXIMUM
- 2.5 INSULATION RESISTANCE: 500 MEGOOHMS MINIMUM

### MECHANICAL

C0012,C0012-R



*Specifications Subject To Change Without Notice*

TAIWAN  
TEL: 00886-3-3310896  
FAX: 00886-3-3310865

DONGGUAN  
TEL: 086-769-86761589  
FAX: 086-769-86761549



# TELEPHONE JACK USB PRODUCTS

RoHS " -R " peak solder rating 260°C, non-RoHS peak solder rating 225°C  
For RoHS part, add suffix -R

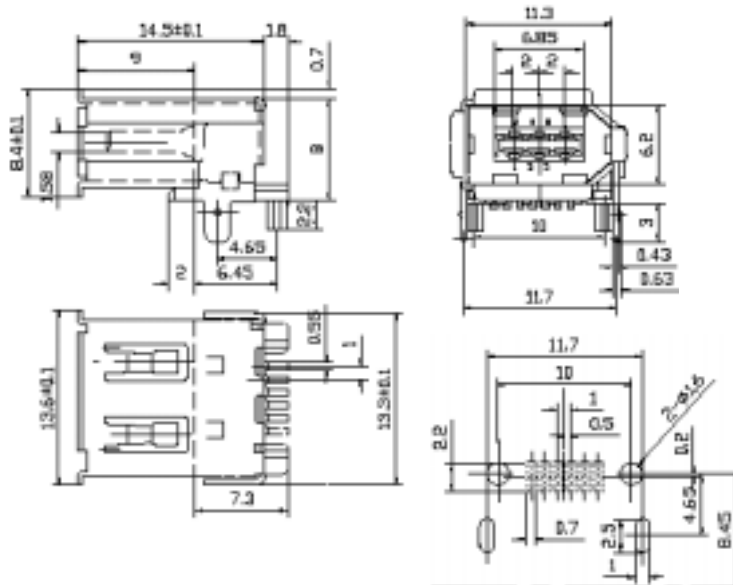


## TECHNICAL SPECIFICATON

- ELECTRICAL** CURRENT RATING: 1.5MPS  
VOLTAGE RATING: 125V AC  
INSULATION RESISTANCE: 1000MΩ MINI  
WITHSTAND VOLTAGE: AC 1000V RMS 50Hz OR 60Hz 1min  
CONTACT RESISTANCE: 30MΩ MAX
- MECHANICAL** INSERTION FORCE: 3KG MAX  
PULL OUT: 3KG MAX  
DURABILITY: 600MATING CYCLES MINI
- MATERIAL** HOUSING: 25%GLASS FILIED PBT(UL94V-0)  
SPRING WIRE: 0.25mm THICKNESS PHISPHORE BRONZE ALLOY  
SELECTIVE GOLD PLATING OVER NICKEL.  
GOLD PLATING: 3u INCH; 6u INCH; 15u INCH; 30u INCH;  
50u INCH.

## MECHANICAL

C0036,C0036-R



Specifications Subject To Change Without Notice

TAIWAN  
TEL: 00886-3-3310896  
FAX: 00886-3-3310865

DONGGUAN  
TEL: 086-769-86761589  
FAX: 086-769-86761549



## TELEPHONE JACK RJ-45 PRODUCTS

RoHS " -R " peak solder rating 260°C, non-RoHS peak solder rating 225°C  
For RoHS part, add suffix -R



### TECHNICAL SPECIFICATON

#### 1 ELECTRICAL:

- 1.1 VOLTAGE RATING: 1.25VAC RMS
- 1.2 CURRENT RATING: 1.5AMP
- 1.3 CONTACT RESISTANCE: 3.5 MILLIOHMS MAX.
- 1.4 INSULATION RESISTANCE: 1000 MEGOHMS MIN. 500VDC

#### 2 MECHANICAL:

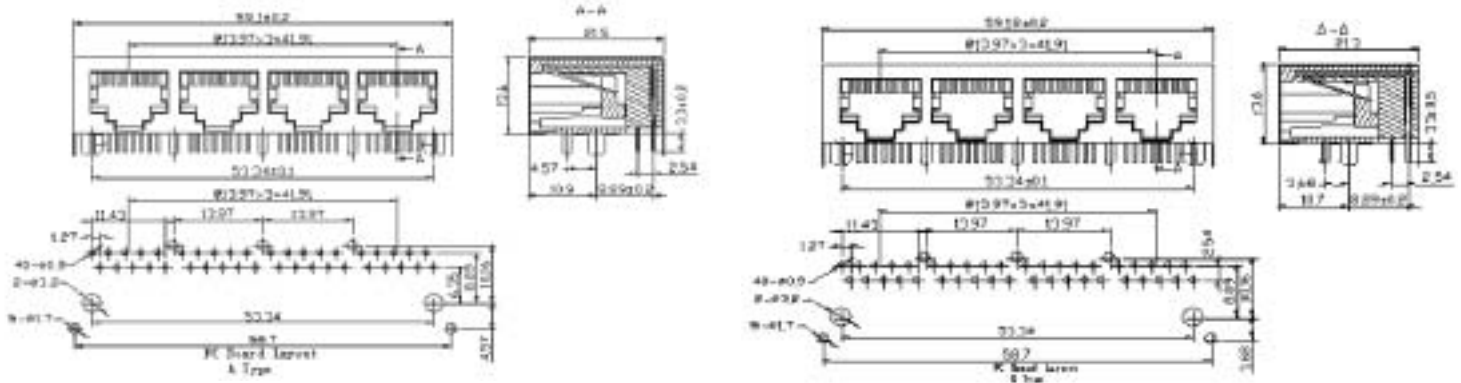
- 2.1 HOUSING MATERIAL: GLASS FILLED POLYESTER 94V-0
- 2.2 CONTACT MATERIAL: PHOSPHOR BRONZE  $\square 0.46\text{mm}$
- 2.3 PLATING: GOLD (**Thickness: 3 $\mu\text{m}$** ) PLATING OVER NICKEL
- 2.4 OPERATING LIFE: 750 CYCLES MIN.
- 2.5 PCB RETENTION PRE-SOLDER: 1 LB MIN.
- 2.6 PCB RETENTION POST-SOLDER: 10 LBS MIN.

#### 3 ENVIRONMENTAL:

- 3.1 STORAGE: -40°C TO +85°C
- 3.2 OPERATION: 0°C TO 70°C
- 3.3 MATES WITH MODULAR PLUG CONFORMING TO FCC PART 68, SUBPART F.

### MECHANICAL

#### C0074, C0074-R



Specifications Subject To Change Without Notice

TAIWAN  
TEL: 00886-3-3310896  
FAX: 00886-3-3310865

DONGGUAN  
TEL: 086-769-86761589  
FAX: 086-769-86761549



## TELEPHONE JACK RJ-45 PRODUCTS

RoHS " -R " peak solder rating 260°C, non-RoHS peak solder rating 225°C  
For RoHS part, add suffix -R



### TECHNICAL SPECIFICATION

#### 1 ELECTRICAL:

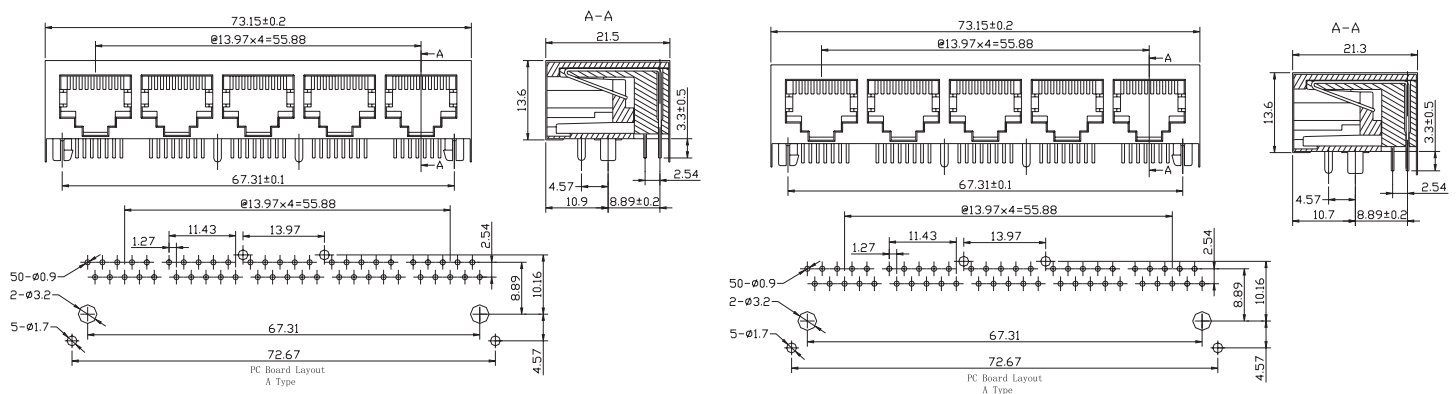
- 1.1 VOLTAGE RATING: 1.25VAC RMS
- 1.2 CURRENT RATING: 1.5AMP
- 1.3 CONTACT RESISTANCE: 3.5 MILLIOHMS MAX.
- 1.4 INSULATION RESISTANCE: 1000 MEGOHMS MIN. 500VDC

#### 2 MECHANICAL:

- 2.1 HOUSING MATERIAL: GLASS FILLED POLYESTER 94V-0
- 2.2 CONTACT MATERIAL: PHOSPHOR BRONZE 0.46mm
- 2.3 PLATING: GOLD PLATING OVER NICKEL
- 2.4 OPERATING LIFE: 750 CYCLES MIN.
- 2.5 PCB RETENTION PRE-SOLDER: 1 LB MIN.
- 2.6 PCB RETENTION POST-SOLDER: 10 LBS MIN.

### MECHANICAL

#### C0076, C0076-R



Specifications Subject To Change Without Notice

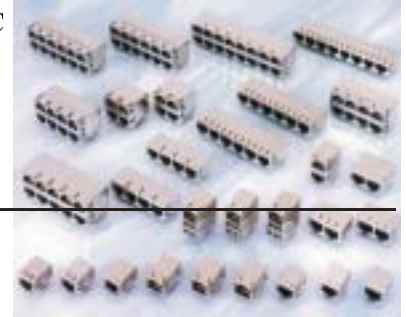
TAIWAN  
TEL: 00886-3-3310896  
FAX: 00886-3-3310865

DONGGUAN  
TEL: 086-769-86761589  
FAX: 086-769-86761549



## TELEPHONE JACK RJ-45 PRODUCTS

RoHS " -R " peak solder rating 260°C, non-RoHS peak solder rating 225°C  
For RoHS part, add suffix -R



### TECHNICAL SPECIFICATON

#### 1 ELECTRICAL:

- 1.1 VOLTAGE RATING: 125VAC RMS
- 1.2 CURRENT RATING: 1.5AMP
- 1.3 CONTACT RESISTANCE: 3.5 MILLIOHMS MAX.
- 1.4 INSULATION RESISTANCE: 1000 MEGOHMS MIN. 500VDC

#### 2 MECHANICAL:

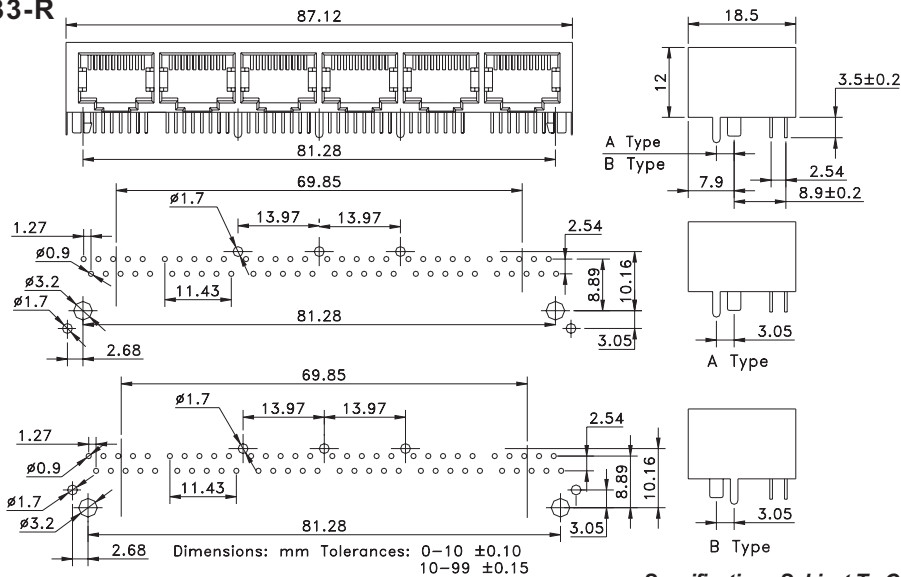
- 2.1 HOUSING MATERIAL: GLASS FILLED POLYESTER 94V-0
- 2.2 CONTACT MATERIAL: PHOSPHOR BRONZE 0.46mm
- 2.3 PLATING: GOLD PLATING OVER NICKEL
- 2.4 OPERATING LIFE: 750 CYCLES MIN.
- 2.5 PCB RETENTION PRE-SOLDER: 1 LB MIN.
- 2.6 PCB RETENTION POST-SOLDER: 10 LBS MIN.

#### 3 ENVIRONMENTAL:

- 3.1 STORAGE: -40°C TO +85°C
- 3.2 OPERATION: 0°C TO 70°C
- 3.3 MATES WITH MODULAR PLUG CONFORMING TO FCC PART 68, SUBPART F.

### MECHANICAL

#### C0033 ,C0033-R



Specifications Subject To Change Without Notice

TAIWAN  
TEL: 00886-3-3310896  
FAX: 00886-3-3310865

DONGGUAN  
TEL: 086-769-86761589  
FAX: 086-769-86761549



## TELEPHONE JACK RJ-45 PRODUCTS

RoHS " -R " peak solder rating 260°C, non-RoHS peak solder rating 225°C  
For RoHS part, add suffix -R



### TECHNICAL SPECIFICATON

#### 1 ELECTRICAL:

- 1.1 VOLTAGE RATING: 1.25VAC RMS
- 1.2 CURRENT RATING: 1.5AMP
- 1.3 CONTACT RESISTANCE: 3.5 MILLIOHMS MAX.
- 1.4 INSULATION RESISTANCE: 1000 MEGOHMS MIN. 500VDC

#### 2 MECHANICAL:

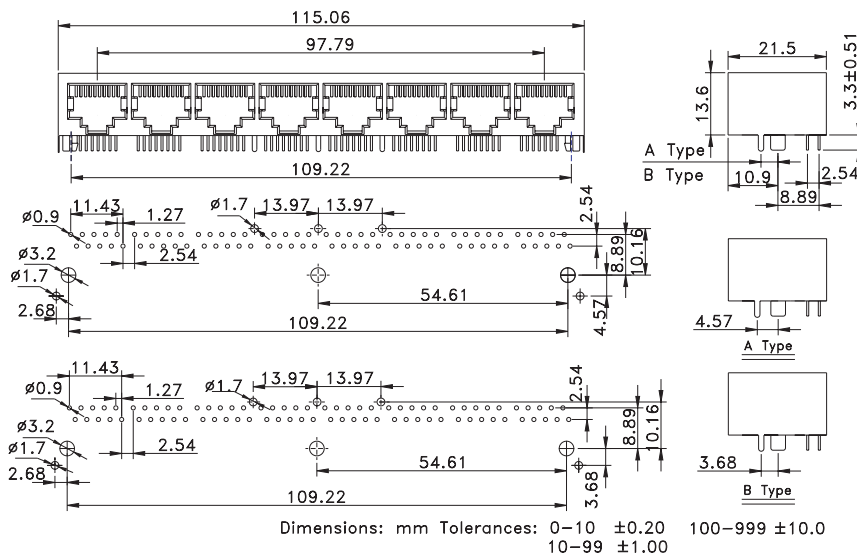
- 2.1 HOUSING MATERIAL: GLASS FILLED POLYESTER 94V-0
- 2.2 CONTACT MATERIAL: PHOSPHOR BRONZE  $\square 0.46\text{mm}$
- 2.3 PLATING: GOLD PLATING OVER NICKEL
- 2.4 OPERATING LIFE: 750 CYCLES MIN.
- 2.5 PCB RETENTION PRE-SOLDER: 1 LB MIN.
- 2.6 PCB RETENTION POST-SOLDER: 10 LBS MIN.

#### 3 ENVIRONMENTAL:

- 3.1 STORAGE: -40°C TO +85°C
- 3.2 OPERATION: 0°C TO 70°C
- 3.3 MATES WITH MODULAR PLUG CONFORMING TO FCC PART 68, SUBPART F.

### MECHANICAL

#### C0026, C0026-R



Specifications Subject To Change Without Notice

TAIWAN  
TEL: 00886-3-3310896  
FAX: 00886-3-3310865

DONGGUAN  
TEL: 086-769-86761589  
FAX: 086-769-86761549



## TELEPHONE JACK RJ-45 PRODUCTS

RoHS " -R " peak solder rating 260°C, non-RoHS peak solder rating 225°C  
For RoHS part, add suffix -R



### TECHNICAL SPECIFICATON

#### 1 ELECTRICAL:

- 1.1 VOLTAGE RATING: 125VAC RMS
- 1.2 CURRENT RATING: 1.5AMP
- 1.3 CONTACT RESISTANCE: 3.5 MILLIOHMS MAX.
- 1.4 INSULATION RESISTANCE: 1000 MEGOHMS MIN. 500VDC

#### 2 MECHANICAL:

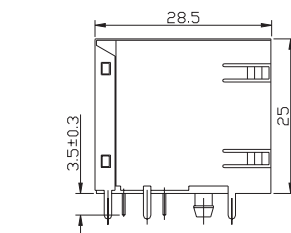
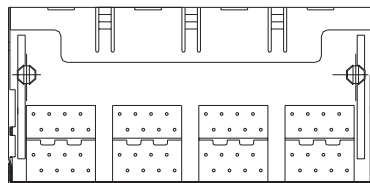
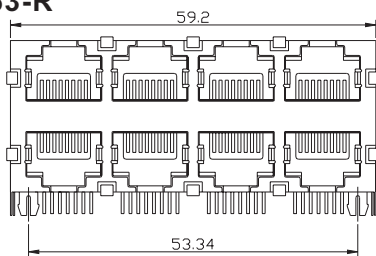
- 2.1 HOUSING MATERIAL: GLASS FILLED POLYESTER 94V-0
- 2.2 CONTACT MATERIAL: PHOSPHOR BRONZE 0.46mm
- 2.3 PLATING: GOLD PLATING OVER NICKEL
- 2.4 OPERATING LIFE: 750 CYCLES MIN.
- 2.5 PCB RETENTION PRE-SOLDER: 1 LB MIN.
- 2.6 PCB RETENTION POST-SOLDER: 10 LBS MIN.

#### 3 ENVIRONMENTAL:

- 3.1 STORAGE: -40°C TO +85°C
- 3.2 OPERATION: 0°C TO 70°C
- 3.3 MATES WITH MODULAR PLUG CONFORMING TO FCC PART 68, SUBPART F.

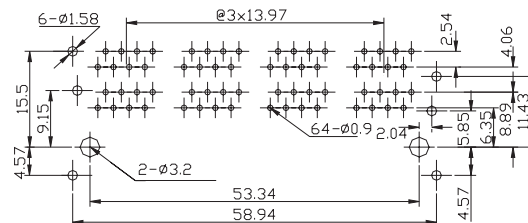
### MECHANICAL

#### C0063, C0063-R



#### TOLERANCE

|             |         |
|-------------|---------|
| 0-10        | +0.10   |
| 10-99       | +0.15   |
| 100-999     | +0.25   |
| 1000-9999   | +1.00   |
| 10000-99999 | +100.00 |



Specifications Subject To Change Without Notice

TAIWAN  
TEL: 00886-3-3310896  
FAX: 00886-3-3310865

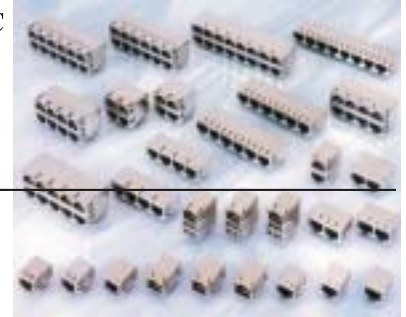
DONGGUAN  
TEL: 086-769-86761589  
FAX: 086-769-86761549





## TELEPHONE JACK RJ-45 PRODUCTS

RoHS " -R " peak solder rating 260°C, non-RoHS peak solder rating 225°C  
For RoHS part, add suffix -R



### TECHNICAL SPECIFICATION

#### 1 ELECTRICAL:

- 1.1 VOLTAGE RATING: 125VAC RMS
- 1.2 CURRENT RATING: 1.5AMP
- 1.3 CONTACT RESISTANCE: 3.5 MILLIOHMS MAX.
- 1.4 INSULATION RESISTANCE: 1000 MEGOHMS MIN. 500VDC

#### 2 MECHANICAL:

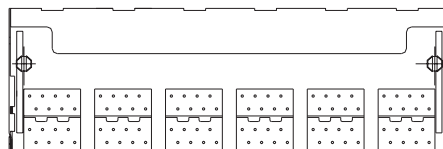
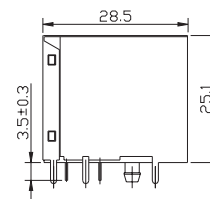
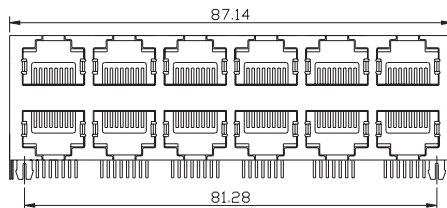
- 2.1 HOUSING MATERIAL: GLASS FILLED POLYESTER 94V-0
- 2.2 CONTACT MATERIAL: PHOSPHOR BRONZE 0.46mm
- 2.3 PLATING: GOLD PLATING OVER NICKEL
- 2.4 OPERATING LIFE: 750 CYCLES MIN.
- 2.5 PCB RETENTION PRE-SOLDER: 1 LB MIN.
- 2.6 PCB RETENTION POST-SOLDER: 10 LBS MIN.

#### 3 ENVIRONMENTAL:

- 3.1 STORAGE: -40°C TO +85°C
- 3.2 OPERATION: 0°C TO 70°C
- 3.3 MATES WITH MODULAR PLUG CONFORMING TO FCC PART 68, SUBPART F.

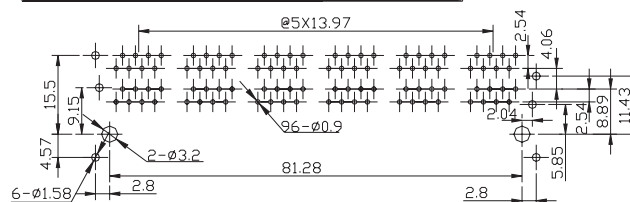
### MECHANICAL

#### C0064, C0064-R



#### TOLERANCE

|             |          |
|-------------|----------|
| 0-10        | ±0.10    |
| 10-99       | ±0.15    |
| 100-999     | ±0.2     |
| 1000-9999   | ±100.00  |
| 10000-99999 | ±1000.00 |



Specifications Subject To Change Without Notice

TAIWAN  
TEL: 00886-3-3310896  
FAX: 00886-3-3310865

DONGGUAN  
TEL: 086-769-86761589  
FAX: 086-769-86761549