



ADSL MAGNETICS

Designed to meet UL1950 Safety Requirements For Supplementary Insulation at 250V .

Transformers & Inductors For Use With Alcatel's DynaMite ADSL Chipsets .

Good Total Harmonic Distortion Characteristics.

Optimised Design For Size and Performance.

RoHS " -R " peak solder rating 260°C, non-RoHS peak solder rating 225°C.

For RoHS part, add suffix -R .



ELECTRICAL SPECIFICATIONS @ 25°C (Operating Temperature : - 0°C to + 70°C)

Part Number	Turns Ratio +/- 2%	Inductance	Leakage	DC Resistance		Hi-Pot (Vac)	Package / Application
		(OCL) (μ H)	Inductance (μ H max)	(Ω max)			
A10107D A10107D-R	(1-5) : (10-6) = 1 : 3.3	(10-6) w/ 7-9 shorted 844 ± 10%	(10-6) 10	(10-7) = (9-6) 1.0	(1-4) = (2-5) 0.15	2000	Transformer CPE
A10106S A10106S-R	(1-5) : (10-6) = 1 : 3.3	(10-6) w/ 7-9 shorted 844 ± 10%	(10-6) 10	(10-7) = (9-6) 1.0	(1-4) = (2-5) 0.15	2000	Transformer CPE
A10101SA A10101SA-R	(6-10):(4-2)=3.3:1	(10-6) = 800uH ±5%	(10-6) 10	(1-4) 0.086	(10-7) =(9-6) 0.62	1500	
A10104DA A10104DA-R	(6-10):(4-2)=3.3:1	(10-6) = 800uH ±5%	(10-6) 10	(1-4) 0.086	(10-7) =(9-6) 0.62	1500	
A16101DC A16101DC-R	1-4:9-16 =1:4 5-8:9-16 =1:2	(9-16)= 700uH ±6%		(9-16) 4.0	(5-8) 1.8	1500	

Note

Inductance (OCL) is measured @ 10KHz, 0.1Vrms

Leakage Inductance is measured @ 100KHz, 0.1Vrms across pins indicated with rest of the pins shorted

For complete parameters of components listed above, request for individual specification sheets

Specifications Subject To Change Without Notice

TAIWAN
TEL: 00886-3-3310896
FAX: 00886-3-3310865

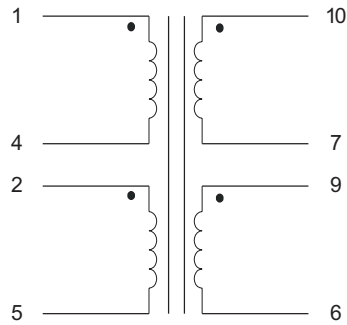
DONGGUAN
TEL: 086-769-86761589
FAX: 086-769-86761549



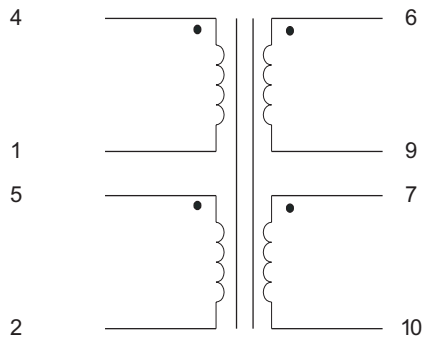
ADSL MAGNETICS

SCHEMATICS

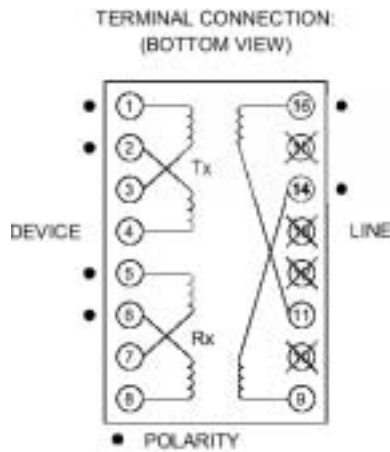
A10107D,A10106S
A10107D-R,A10106S-R



A10101SA,A10104DA
A10101SA-R,A10104DA-R



A16101DC
A16101DC-R



Specifications Subject To Change Without Notice

TAIWAN
 TEL: 00886-3-3310896
 FAX: 00886-3-3310865

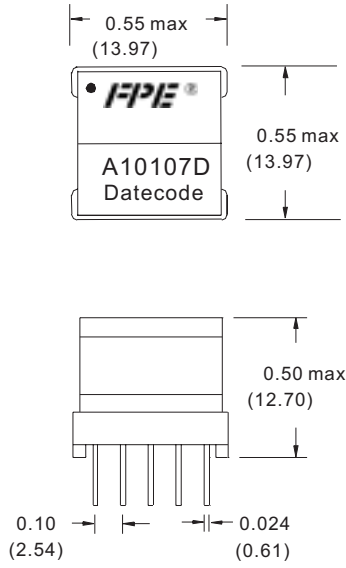
DONGGUAN
 TEL: 086-769-86761589
 FAX: 086-769-86761549



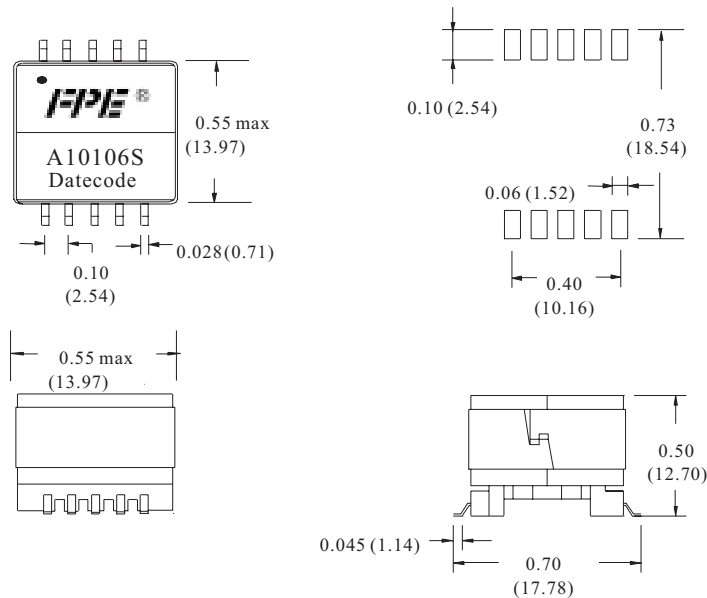
ADSL MAGNETICS

MECHANICAL SPECIFICATIONS

**A10107D
A10107D-R**



**A10106S
A10106S-R**



DIMENSIONS : INCHES/(mm) UNLESS OTHERWISE SPECIFIED ALL TOLERANCES ARE $\pm 0.010(0.25)$.

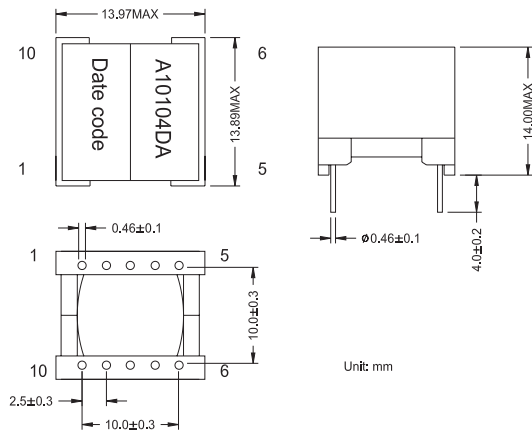
Specifications Subject To Change Without Notice

TAIWAN
TEL: 00886-3-3310896
FAX: 00886-3-3310865

DONGGUAN
TEL: 086-769-86761589
FAX: 086-769-86761549

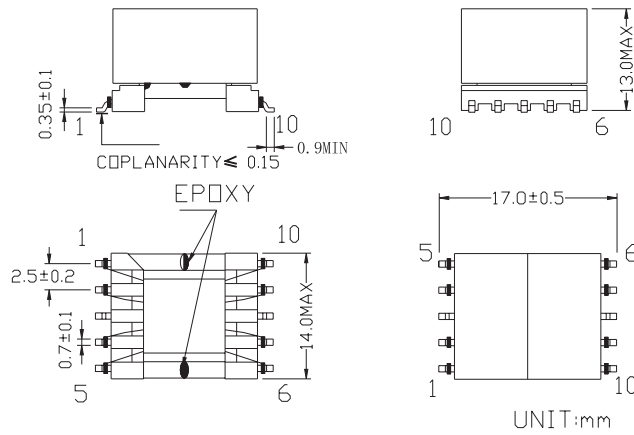
ADSL MAGNETICS

A10104DA
A10104DA-R



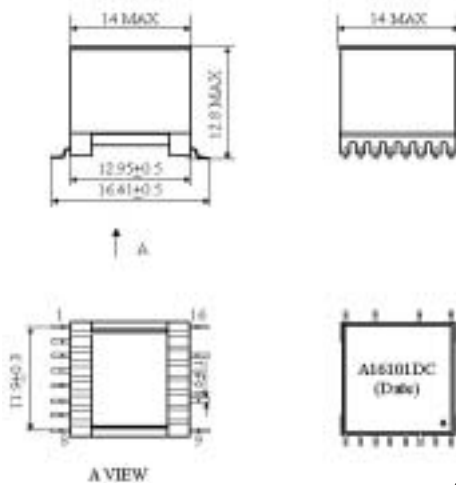
Unit: mm

A10101SA
A10101SA-R



UNIT:mm

A16101DC
A16101DC-R



Specifications Subject To Change Without Notice