

BALUN TRANSFORMER

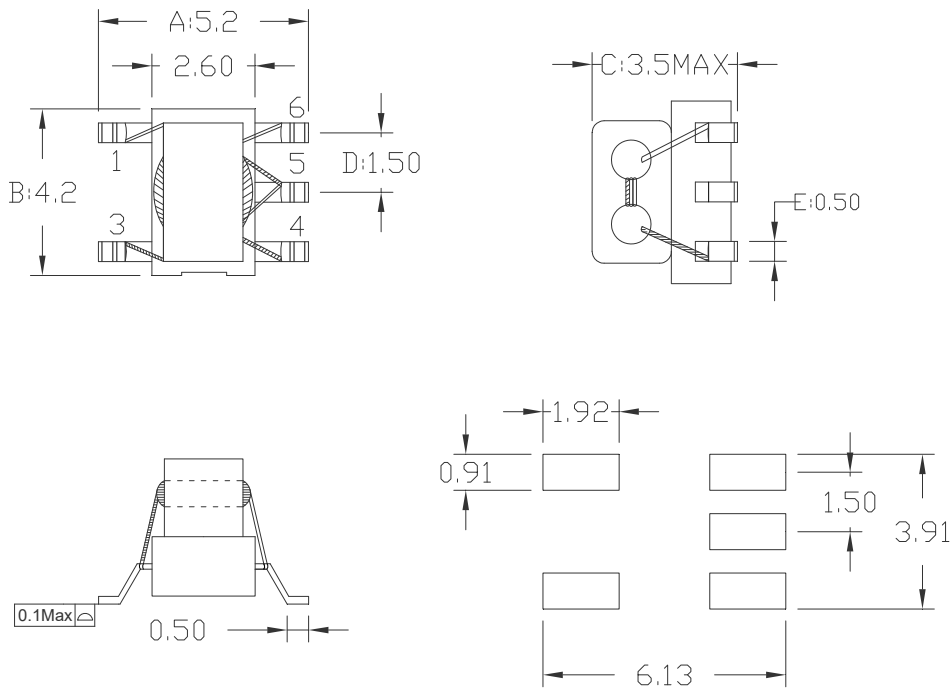


- ◆ Excellent EMI performance
- ◆ Suitable for reflow soldering
- ◆ Current-compensated double choke
- ◆ High rated currents, reduced components height
- ◆ Comply with ROHS

ELECTRICAL SPECIFICATIONS@25°C (Operating Temperature :-40°C to +105°C)

Part Number	Turns Ratio @20KHz,1V	Insertion Loss (Pin1 – Pin5)			Input Return Loss (Pin1)		
		1-2:5-3	5 - 50 MHz	50 - 150 MHz	150 - 300 MHz	5 - 50 MHz	50 - 150 MHz
TM11081ST	2:1±2%	0.7 dB Max	2.0 dB Max	4.5 dB Max	14 dB Min	7 dB Min	3 dB Min

MECHANICAL(Unit:mm)



SUGGESTED PAD LAYOUT

SCHEMATICS

