



T1/E1/CEPT/ISDN-Pri Transformer

Models Match To Leading Quad & Dual T1/E1/CEPT/ISDN-Pri Transceiver.

Available In Standard & Extended Temperature Range.

Low Profile Surface Mount Packaging Designed.

Quad Port Package With Eight Transformer To Support 4 Transmit & Receive Channel.

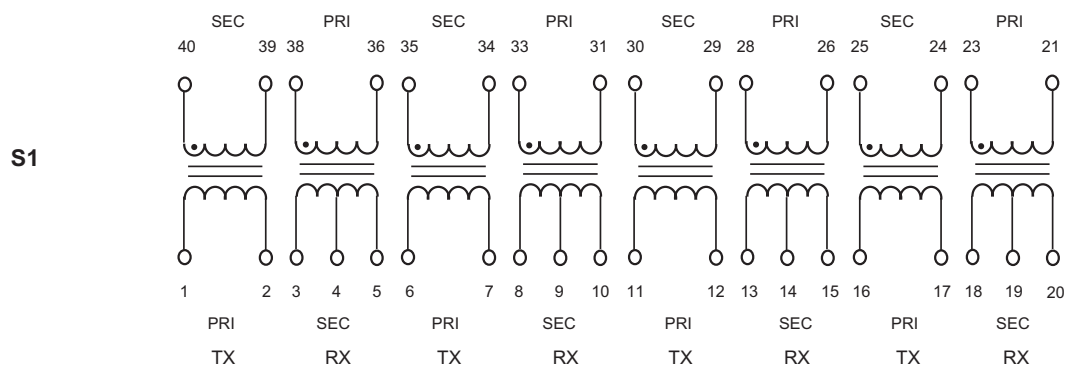
RoHS " -R " peak solder rating 260°C, non-RoHS peak solder rating 225°C.

For RoHS part, add suffix -R.

ELECTRICAL SPECIFICATIONS @ 25°C (Std Temp : 0°C - 70°C ; Ext Temp : -40°C to +85°C)

Part		Turns Ratio		OCL		Cw/w		L/L		Schematic
Number		Pri	Sec +/-5%	(mH min)		(pF max)		(μ H max)		
Std Temp	Ext Temp	Transmit	Receive	Transmit	Receive	Transmit	Receive	Transmit	Receive	/Package
N40501MN	N40514MN	1:1.14	1:1.14CT	1.20	1.20	35	35	0.6	0.6	S1/SM1
N40501MN-R										
N40502MN	N40515MN	1:1.15	1:2CT	1.20	1.20	35	35	0.6	0.6	S1/SM1
N40502MN-R										
N40503MN	N40516MN	1:1.36	1:1.36CT	1.20	1.20	35	35	0.6	0.6	S1/SM1
N40503MN-R										
N40504MN	N40517MN	1:1:1.26	1:2CT	1.20	1.20	35	35	0.6	0.6	S2/SM1
N40504MN-R										
N40505MN	N40518MN	1:2CT	1:1CT	1.20	1.20	35	35	0.6	0.6	S2/SM1
N40505MN-R										
N40506MN	N40519MN	1:1.36CT	1:2CT	1.20	1.20	35	35	0.6	0.6	S3/SM1
N40506MN-R										
N40507MN	N40520MN	1:2CT	1:2CT	1.20	1.20	35	35	0.6	0.6	S4/SM1
N40507MN-R										
N40508MN	N40521MN	1CT:1.41	1CT:1.41	1.20	1.20	35	35	0.6	0.6	S5/SM1
N40508MN-R										
N40509MN	N40522MN	1:2	1:2CT	1.20	1.20	35	35	0.6	0.6	S6/SM1
N40509MN-R										
N40510MN	N40523MN	1:1.15	1:1.15	1.20	1.20	35	35	0.6	0.6	S7/SM1
N40510MN-R										
N40511MN	N40524MN	1:2	1:2	1.20	1.20	35	35	0.6	0.6	S7/SM1
N40511MN-R										
N40512MN	N40525MN	1:2CT	1CT:1	1.20	1.20	35	35	0.6	0.6	S8/SM1
N40512MN-R										
N40513MN	N40526MN	1:2.4	1:1	1.00	1.00	35	35	0.5	0.5	S9/SM1
N40513MN-R										
F0012		1:2CT	1:2CT	1.20	1.20	35	35	0.6	0.6	S5/SM1
F0012-R										
F0013		1:1.36CT	1:2CT	1.20	1.20	35	35	0.6	0.6	S5/SM1
F0013-R										

SCHEMATICS



Specifications Subject To Change Without Notice

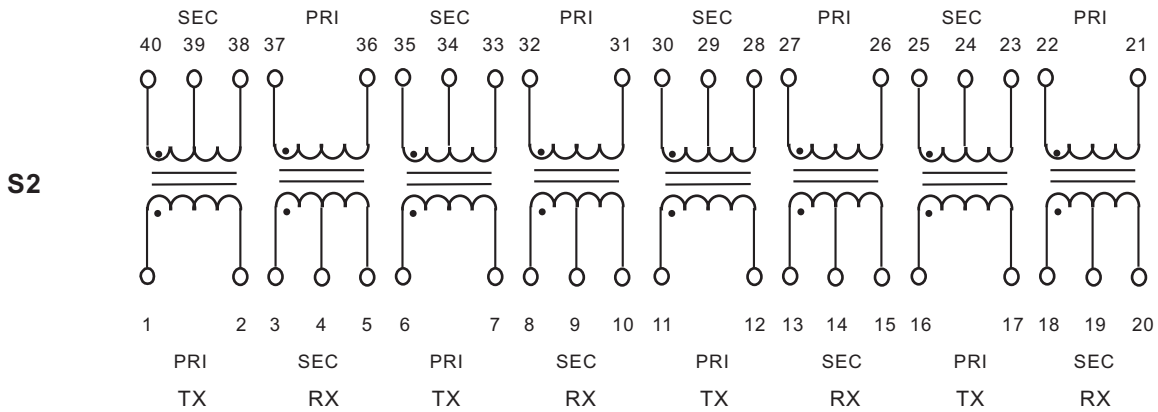
TAIWAN
TEL: 00886-3-3310896
FAX: 00886-3-3310865

DONGGUAN
TEL: 086-769-86761589
FAX: 086-769-86761549

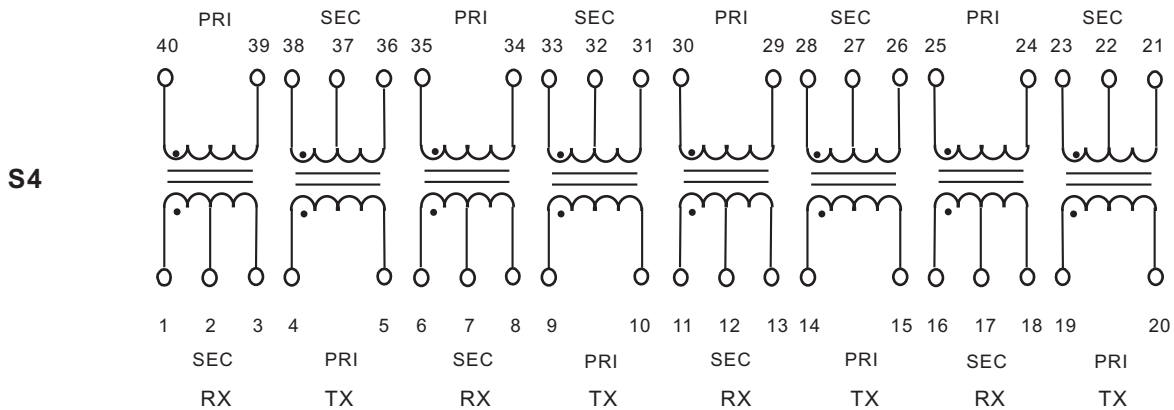
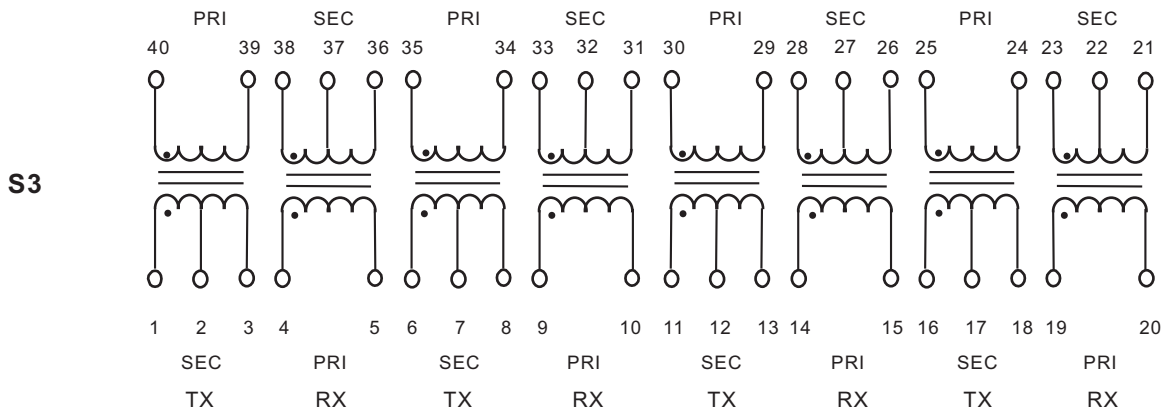


T1/E1/CEPT/ISDN-Pri Transformer

SCHEMATICS



N40504MN&N40517MN: (1-2):(40-38)=1:1.126



Specifications Subject To Change Without Notice

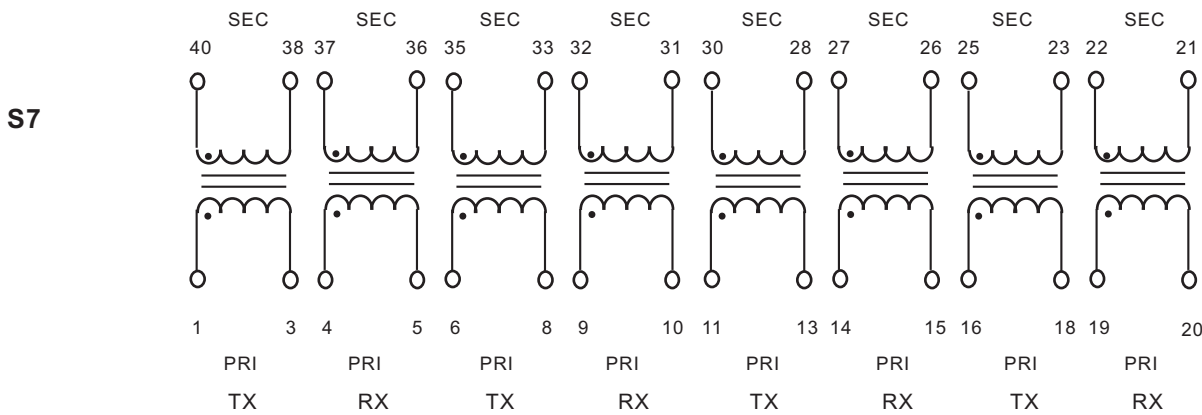
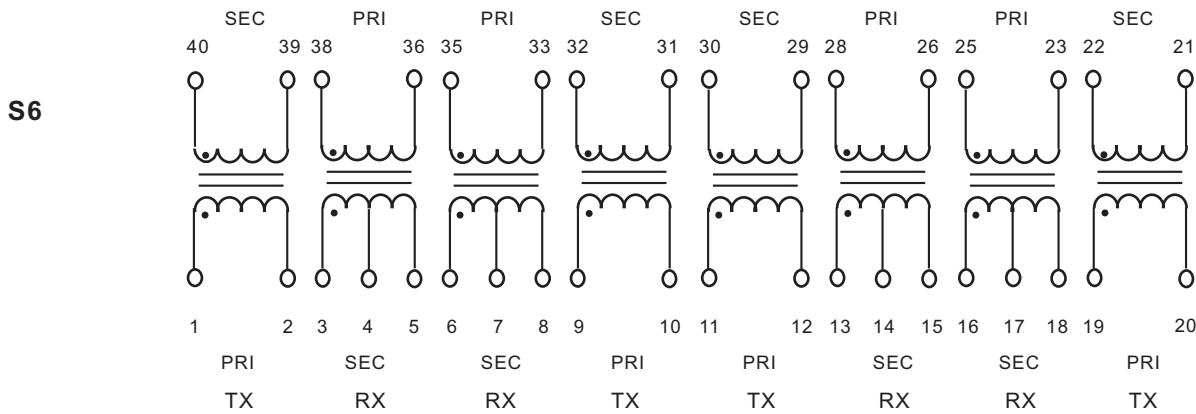
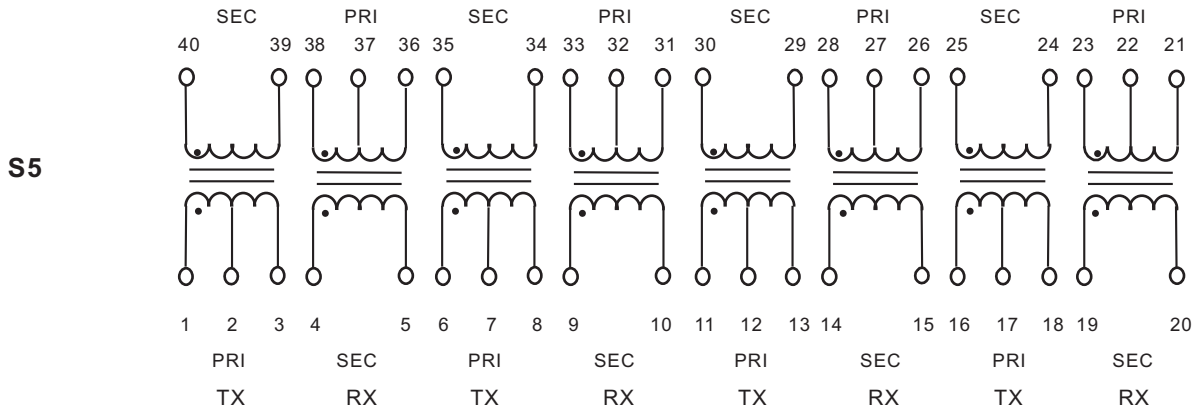
TAIWAN
TEL: 00886-3-3310896
FAX: 00886-3-3310865

DONGGUAN
TEL: 086-769-86761589
FAX: 086-769-86761549



T1/E1/CEPT/ISDN-Pri Transformer

SCHEMATICS



Specifications Subject To Change Without Notice

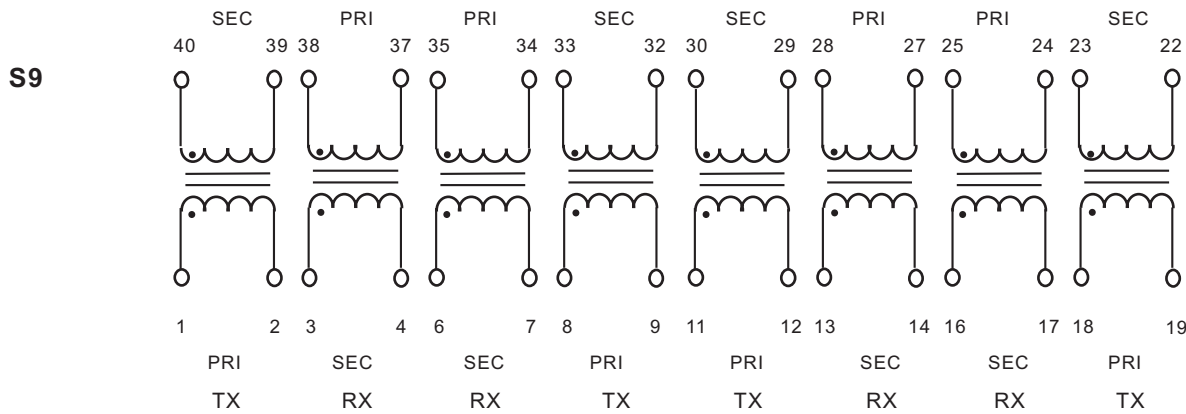
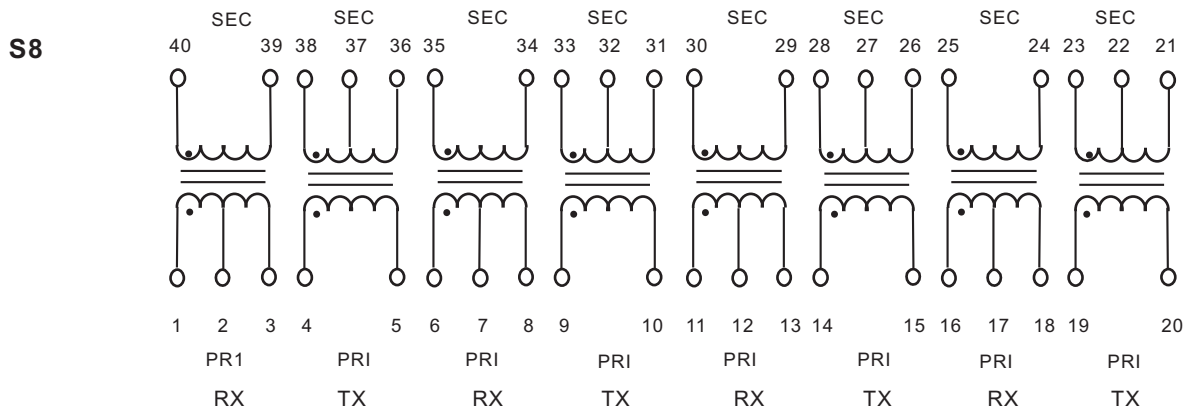
TAIWAN
 TEL: 00886-3-3310896
 FAX: 00886-3-3310865

DONGGUAN
 TEL: 086-769-86761589
 FAX: 086-769-86761549



T1/E1/CEPT/ISDN-Pri Transformer

SCHEMATICS



Specifications Subject To Change Without Notice

TAIWAN
 TEL: 00886-3-3310896
 FAX: 00886-3-3310865

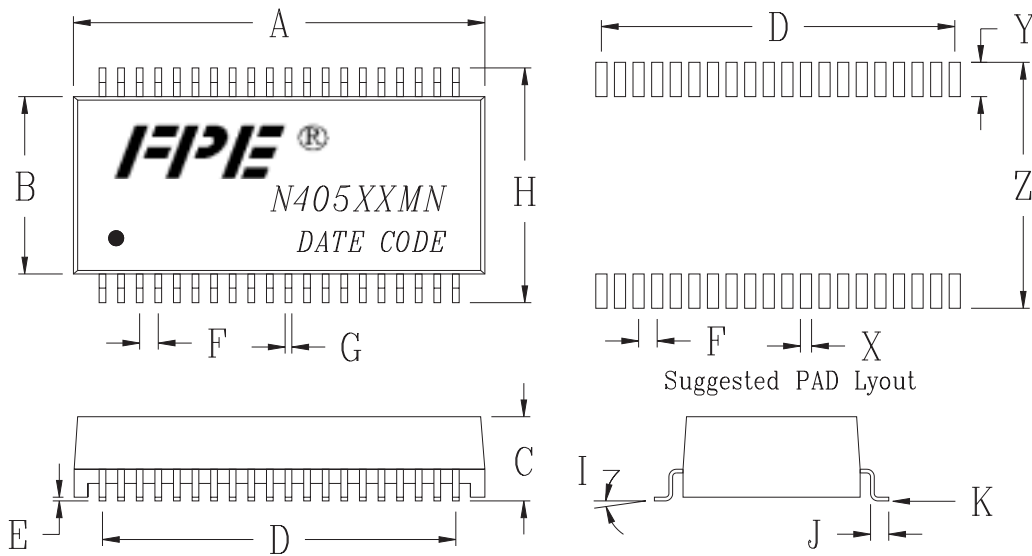
DONGGUAN
 TEL: 086-769-86761589
 FAX: 086-769-86761549



T1/E1/CEPT/ISDN-Pri Transformer

MECHANICAL SPECIFICATIONS

SM1



DIM	MILLIMETERS		INCHES	
	MIN	MAX	MIN	MAX
A	27.75	28.25	1.093	1.112
B	11.75	12.25	0.463	0.482
C	5.50	6.00	0.217	0.236
D	24.08	24.18	0.948	0.952
E	0.10	0.40	0.004	0.016
F	1.22	1.32	0.048	0.052
G	0.41	0.51	0.016	0.020

DIM	MILLIMETERS		INCHES	
	MIN	MAX	MIN	MAX
H	15.85	16.35	0.624	0.644
I	0□	8□	0□	8□
J	1.15	1.25	0.039	0.049
X	0.71	0.81	0.028	0.032
Y	2.09	2.59	0.082	0.102
Z	16.51	17.01	0.650	0.670
K	0.10 TYP		0.004 TYP	

Specifications Subject To Change Without Notice

TAIWAN
 TEL: 00886-3-3310896
 FAX: 00886-3-3310865

DONGGUAN
 TEL: 086-769-86761589
 FAX: 086-769-86761549