



## DC-DC Converter For Ethernet

**H**igh Efficiency Rating At Full Load.

**L**ow Ripple And Noise

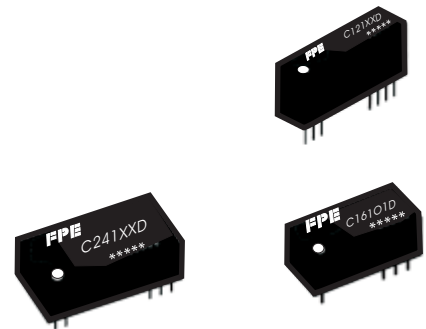
**R**ated For Continuous Operation At Full Load  
Between 0°C and 70°C

**B**urn- In At 70°C and 100% Tested

**R**egulated Output And Unregulated Output Available

**R**oHS " -R" peak solder rating 260°C,  
non-RoHS peak solder rating 225°C.

**F**or RoHS part, add suffix -R.



### GENERAL SPECIFICATIONS

Power Rating	:	Up To 2 Watts
Switching Frequency	:	25kHz min
Output Noise / Ripple	:	100mVp-p Max
Efficiency	:	70% Typical For Unregulated Type , 60% Typical For Regulated Type
Input Voltage Range	:	± 10% For Regulated Output and ± 5% For Unregulated Output
Output Voltage Accuracy	:	± 10% For Unregulated Output (Nominal Line At Full Load) ± 3% For Regulated Output ( Nominal Line At Full Load)

### ELECTRICAL SPECIFICATIONS @ 25° ( Operating Temperature : 0°C - 70°C )

Part Number	Vin (Vdc)	Vout (Vdc)	Output	Isolation	Regulated Output	Enable On / Off	Package
			Current Iout (mA max)	Voltage (Vrms)			
C24101D	5	9	200	500	No	Off	TH1
C24101D-R							
C24102D	5	9	200	500	Yes	Off	TH1
C24102D-R							
C24103D	12	9	200	500	No	Off	TH1
C24103D-R							
C24104D	12	9	200	500	Yes	Off	TH1
C24104D-R							
C24105D	12	5	360	500	Yes	Off	TH1
C24105D-R							
C12101D	5	9	200	500	No	Off	TH2
C12101D-R							
C12102D	12	9	200	500	No	Off	TH2
C12102D-R							
C16101D	5	9	200	500	No	Off	TH3
C16101D-R							
C16102D	12	9	200	500	No	Off	TH3
C16102D-R							
C24106D	5	9	225	2000	Yes	On	TH4
C24106D-R							
C24107D	12	9	225	2000	Yes	On	TH4
C24107D-R							

*Specifications Subject To Change Without Notice*

TAIWAN  
TEL: 00886-3-3310896  
FAX: 00886-3-3310865

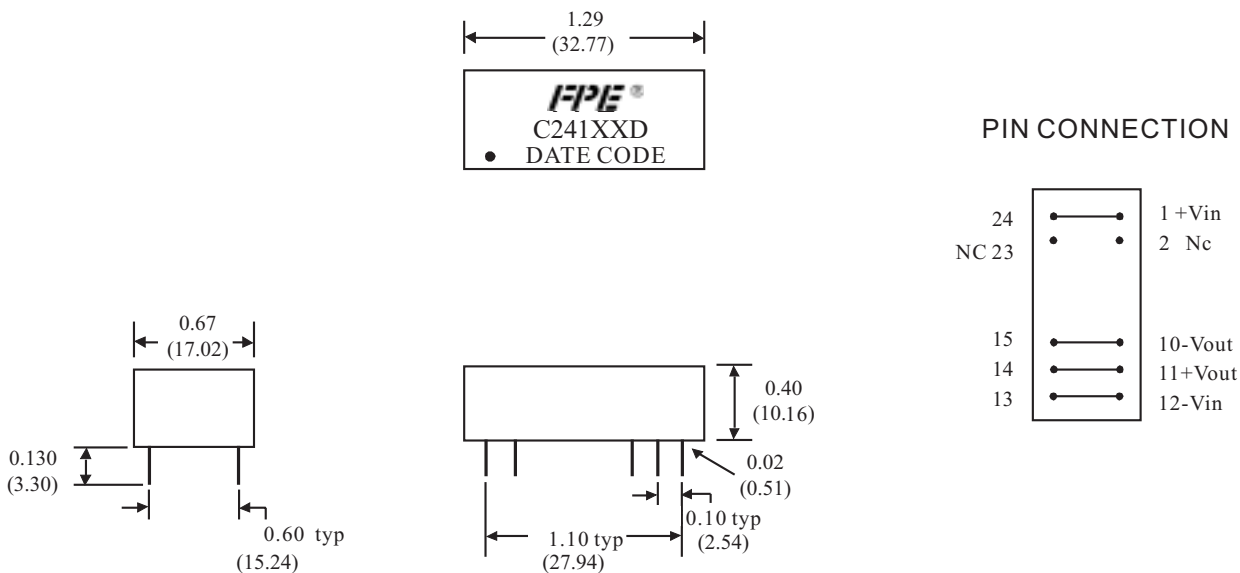
DONGGUAN  
TEL: 086-769-86761589  
FAX: 086-769-86761549



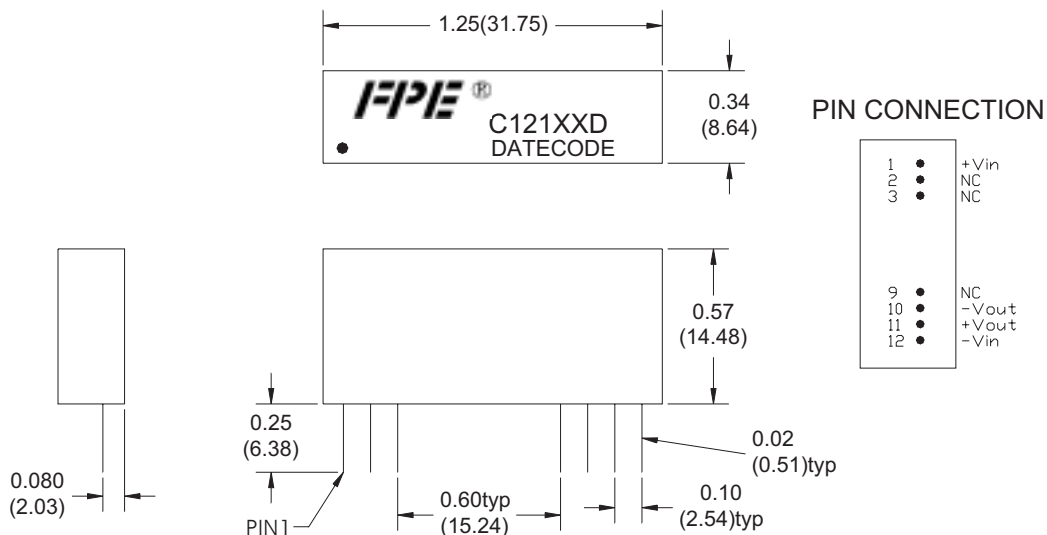
# DC-DC Converter For Ethernet

## MECHANICAL SPECIFICATIONS

### TH1



### TH2



*Specifications Subject To Change Without Notice*

TAIWAN  
 TEL: 00886-3-3310896  
 FAX: 00886-3-3310865

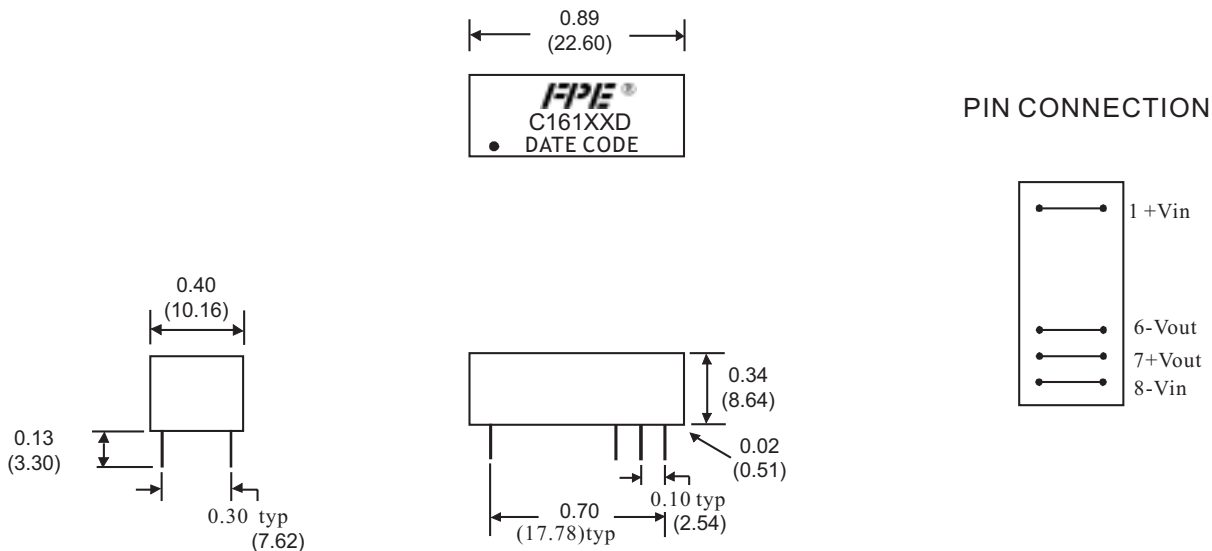
DONGGUAN  
 TEL: 086-769-86761589  
 FAX: 086-769-86761549



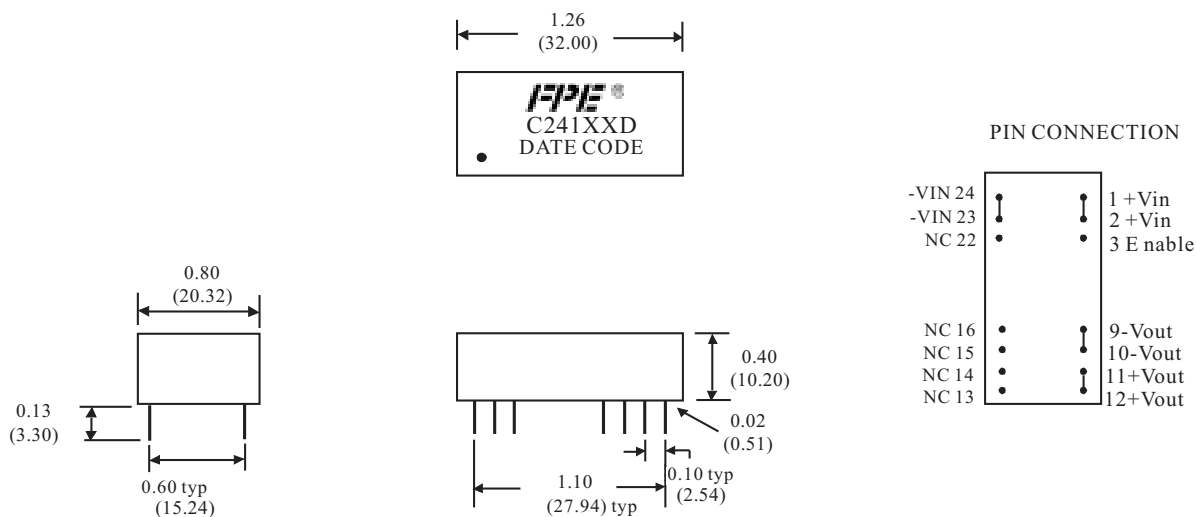
# DC-DC Converter For Ethernet

## MECHANICAL SPECIFICATIONS ( Continued )

### TH3



### TH4



DIMENSIONS : INCHES/(mm) UNLESS OTHERWISE SPECIFIED ALL TOLERANCES ARE ± 0.010(0.25).

*Specifications Subject To Change Without Notice*

TAIWAN  
 TEL: 00886-3-3310896  
 FAX: 00886-3-3310865

DONGGUAN  
 TEL: 086-769-86761589  
 FAX: 086-769-86761549