

DIFFERENTIAL MODE TOROID INDUCTORS SERIES

Characteristics

- 1.The DC saturation characteristic is good and the noise absorption effect is high,due to the iron dust core
- 2.less leakage magnetic flux and core groan by using toroidal core

Applications

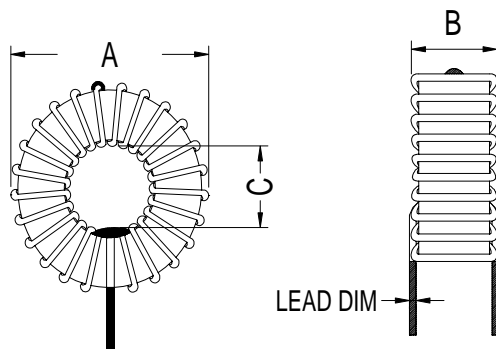
- Switching power supply
 - Countermeasure for DC spike noise.
 - EMI for power and signal line
- for various kinds of electric equipments



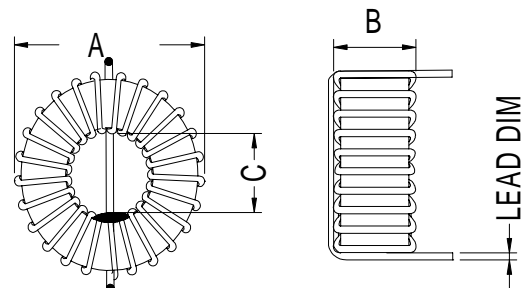
PART NO	L: $\mu\text{H} \pm 15\%$ @1KHz	I dc max Amps	μH Min @Idc	DCR m Ω Max	Dim mm A Max	Dim mm B Max	Dim mm C Max	Lead Dim
PW09004DL	10	11.0	5	8	22.50	11.2	4.78	1.60
PW09005DL	25	2.5	16	50	14.00	6.35	3.91	0.50
PW09006DL	35	2.5	29	35	17.80	8.2	3.91	0.55
PW09007DL	40	4.0	30	550	22.00	9.2	5.08	0.80
PW09008DL	50	2.5	35	60	19.00	8.2	3.91	0.50
PW09009DL	70	3.0	50	50	22.00	9.2	5.08	0.55
PW09010DL	75	5.0	40	40	28.60	14.5	7.90	0.90
PW09011DL	100	2.5	70	80	22.00	9.2	5.08	0.50
PW09012DL	125	2.8	70	120	22.50	11.2	4.78	0.50
PW09013DL	150	4.8	85	46	34.30	16	9.50	0.90
PW09014DL	275	2.0	150	5000	22.50	11.2	4.78	0.50
PW09015DL	400	2.3	225	330	28.60	14.5	7.90	0.45
PW09016DL	450	1.5	250	490	22.50	11.2	4.78	0.30
PW09017DL	500	3.0	275	3900	46.50	22	19.00	0.55
PW09018DL	700	2.3	400	42	34.30	16	9.50	0.45
PW09019DL	800	1.8	475	640	28.60	14.5	7.90	0.40
PW09020DL	1000	1.5	575	980	28.60	14.5	7.90	0.30
PW09021DL	1100	2.5	650	330	46.50	22	19.00	0.55
PW09022DL	1250	1.6	750	2200	34.30	16	9.50	0.40
PW09024DL	2250	1.8	1350	920	46.50	22	19.00	0.45
PW09025DL	4500	1.3	2700	2640	46.50	22	19.00	0.30
PW09026DL	8000	1.0	4500	3340	56.70	25.2	15.90	0.30

Dimension (UNIT: INCH)

Vertical Type



Horizontal Type



DR0810 SERIES INDUCTORS

Characteristics

1. Mini size
2. Low cost
3. High reliability, high Q value
4. High resonance frequency

Applications

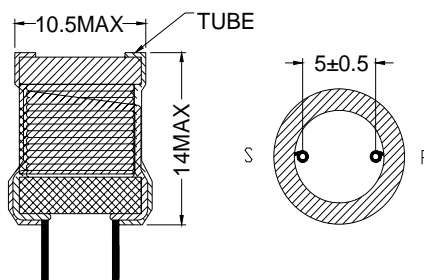
Switching power supply
TV, VCR, OA, AV, UPS equipments.



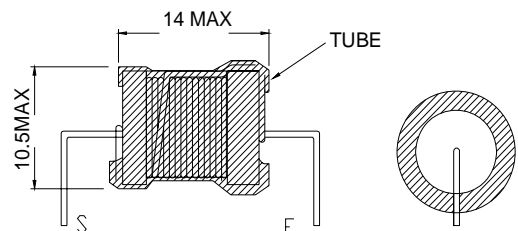
PART NO	L: μ H @1KHz	Q value Min	Test Freq @MHz	DCR Ω max	IDC Max (A)
PW19004DL	1	20	7.96	0.015	4.500
PW19005DL	2	20	7.96	0.020	4.200
PW19006DL	3	20	7.96	0.020	4.000
PW19007DL	5	20	7.96	0.025	4.000
PW19008DL	10	20	7.96	0.040	3.800
PW19009DL	15	20	2.52	0.045	2.800
PW19010DL	22	20	2.52	0.070	2.100
PW19011DL	33	20	2.52	0.090	1.800
PW19012DL	47	20	2.52	0.110	1.500
PW19013DL	68	20	2.52	0.190	1.000
PW19014DL	100	20	0.796	0.240	0.800
PW19015DL	150	20	0.796	0.310	0.750
PW19016DL	470	20	0.796	0.520	0.460
PW19017DL	680	20	0.796	0.800	0.380
PW19018DL	1000	20	0.252	1.500	0.310
PW19019DL	1200	20	0.252	1.800	0.280
PW19020DL	1500	20	0.252	2.000	0.250
PW19021DL	1800	20	0.252	2.500	0.230
PW19022DL	2200	20	0.252	3.000	0.210
PW19023DL	2700	20	0.252	3.500	0.190
PW19024DL	3300	20	0.252	4.000	0.170
PW19025DL	3900	20	0.252	5.000	0.150
PW19026DL	4700	20	0.252	6.000	0.140
PW19027DL	5600	20	0.252	7.500	0.130
PW19028DL	6800	20	0.252	9.500	0.120
PW19029DL	8200	20	0.252	11.000	0.100
PW19030DL	10000	50	0.0796	12.000	0.100

Dimension (UNIT:mm)

TYP1



TYP2



DR1012 SERIES INDUCTORS

Characteristics

1. Mini size
2. Low cost
3. High reliability, high Q value
4. High resonance frequency

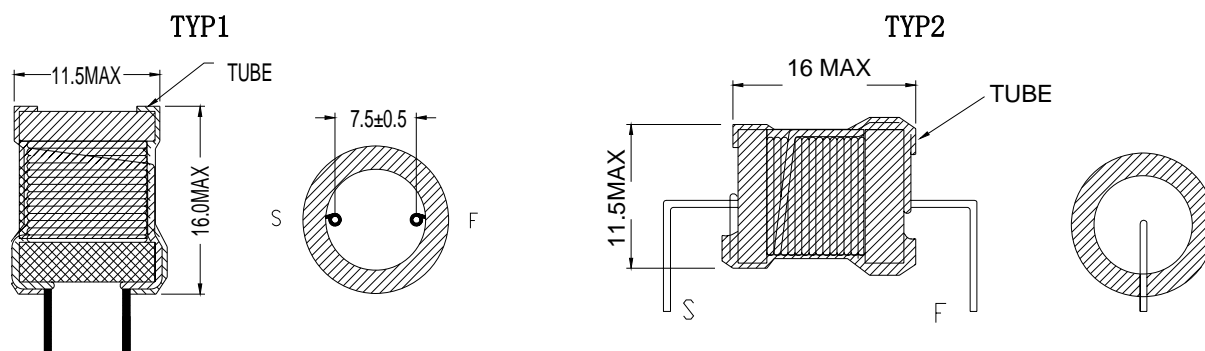
Applications

- Switching power supply
TV, VCR, OA, AV, equipments.
Charging, lighting, electronic products



PART NO	L: mH @1KHz	Q value Min	Test Freq @KHz	DCR Ω max	IDC Max (A)
PW19033DL	10	140	79.6	12	0.28
PW19031DL	12	140	79.6	13	0.28
PW19032DL	15	140	79.6	18	0.28
PW19034DL	18	130	79.6	25	0.24
PW19035DL	22	130	79.6	30	0.24
PW19036DL	27	130	79.6	35	0.24
PW19037DL	33	110	79.6	40	0.20
PW19038DL	39	110	79.6	50	0.14
PW19039DL	47	110	79.6	53	0.14
PW19040DL	56	100	79.6	65	0.14
PW19041DL	68	80	79.6	70	0.12
PW19042DL	82	65	79.6	85	0.12
PW19043DL	100	60	79.6	95	0.12

Dimension (UNIT:mm)



HIGH CURRENT RADIAL ROD CHOKES

Characteristics

- 1.The DC saturation characteristic is good and the noise absorption effect is high,due to the iron dust core
- 2.less leakage magnetic flux and core groan by using toroidal core

Applications

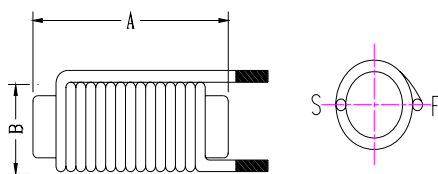
- Switching power supply
- Countermeasure for DC spike noise.
- EMI/RFI suppression
- DC Line Filters



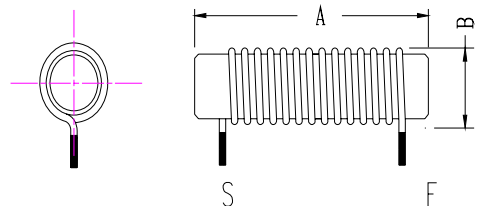
PART NO	L: uH	I dc max Amps	DCR mΩ Max	wire size (mm)	Turns	Dim mm A Max	Dim mm B Max
PW17004DL	1	0.56	40.00	0.30	11.50	6.00	3.50
PW17005DL	1.2	0.56	40.00	0.30	12.50	6.00	3.50
PW17006DL	1.8	1.90	26.00	0.55	11.50	11.00	5.00
PW17007DL	2.2	1.57	28.00	0.50	13.50	11.00	5.00
PW17008DL	2.7	1.57	30.00	0.50	15.50	11.00	5.00
PW17009DL	3.3	1.27	35.00	0.45	17.50	11.00	5.00
PW17010DL	3.9	1.00	50.00	0.40	18.50	11.00	5.00
PW17011DL	4.7	0.76	70.00	0.35	19.50	11.00	5.00
PW17012DL	4.7	2.26	24.00	0.60	17.50	16.00	5.50
PW17013DL	5.6	1.90	30.00	0.55	18.50	16.00	5.50
PW17014DL	6.8	1.57	40.00	0.50	18.50	16.00	5.50
PW17015DL	8.2	1.27	60.00	0.45	21.50	16.00	5.50
PW17016DL	10	1.00	80.00	0.40	24.50	16.00	5.50
PW17017DL	10	2.65	40.00	0.65	22.50	21.00	7.10
PW17018DL	12	2.26	44.00	0.60	23.50	21.00	7.10
PW17019DL	15	1.90	60.00	0.55	27.50	21.00	7.10
PW17020DL	18	1.57	80.00	0.50	29.50	21.00	7.10
PW17021DL	22	1.27	100.00	0.45	32.50	21.00	7.10
PW17022DL	27	1.00	150.00	0.40	36.50	21.00	7.10
PW17023DL	4.7	16.00	5.00	1.60	12.50	31.00	9.50
PW17024DL	5.6	16.00	5.00	1.60	14.50	31.00	9.50
PW17025DL	6.8	10.60	8.00	1.30	15.50	31.00	9.50
PW17026DL	8.2	9.00	9.00	1.20	16.50	31.00	9.50
PW17027DL	10	9.00	10.00	1.20	19.50	31.00	9.50
PW17028DL	12	6.28	18.00	1.00	20.50	31.00	9.50
PW17029DL	15	5.00	23.00	0.90	23.50	31.00	9.50
PW17030DL	18	4.00	30.00	0.80	24.50	31.00	9.50
PW17031DL	22	3.00	45.00	0.70	27.50	31.00	9.50
PW17032DL	27	3.00	50.00	0.70	31.50	31.00	9.50
PW17033DL	33	2.65	60.00	0.65	35.50	31.00	9.50
PW17034DL	39	2.26	80.00	0.60	40.50	31.00	9.50
PW17035DL	47	1.90	110.00	0.55	44.50	31.00	9.50
PW17036DL	56	1.57	140.00	0.50	46.50	31.00	9.50

Dimension (UNIT: INCH)

Vertical Type



Horizontal Type



NO-BOARD TYPE HIGH CURRENT POWER INDUCTORS

Characteristics

1. Shielded construction.
2. Lower DCR
3. Handles High Transient Current spikes without saturation.

Applications

- POWER LINE FILTER FOR DC/DC CONVERTER.
- SWITCHING POWER SUPPLIER
- DC Line Filters
- PERSONAL COMPUTERS AND OTHER HANDHELD ELECTRONIC EQUIPMENT



Inductance: uH	Dim mm A	Dim mm B	Dim mm C	Dim mm D	TYPE
0.22-2.5uH	8.2 MAX	8.2 MAX	6.2 MAX	3.5±0.5	TYPE1
0.22-2.5uH	11.7 MAX	11.7 MAX	8.5 MAX	3.5±0.6	TYPE1
0.22-4.7uH	13.5 MAX	12.5 MAX	10 MAX	3.5±0.7	TYPE1
0.22-2.5uH	8.2 MAX	8.2 MAX	6.8 MAX	3.5±0.8	TYPE1
0.22-2.5uH	11.7 MAX	11.7 MAX	9.7 MAX	3.5±0.9	TYPE1
0.22-2.5uH	8.5 MAX	8.5 MAX	9.0MAX	3.5±0.10	TYPE2
0.22-4.7uH	10.5 MAX	10.5 MAX	9.0 MAX	3.5±0.11	TYPE2
0.22-4.7uH	12.8 MAX	12.8 MAX	10.5MAX	3.5±0.12	TYPE2
0.22-4.7uH	13.0 MAX	13.0 MAX	10.5 MAX	3.5±0.13	TYPE2

Dimension (UNIT: INCH)

