

# EP13 SERIES POWER TRANSFORMER MODULES

## PRODUCT OVERVIEW: THT POWER TRANSFORMERS

### Characteristics

High insulation type High efficiency  
 IEC60950 Compatible  
 Operating temperature range: -40°C to +85°C

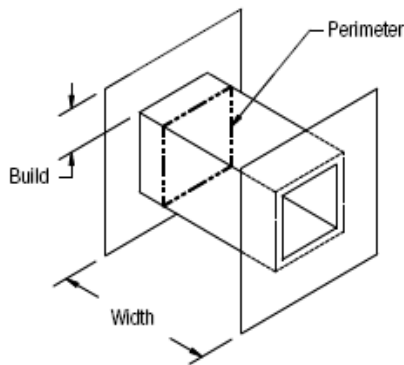
### Applications

Lighting  
 metering  
 Charging  
 Telecom  
 Stand-by Power  
 Communication, ADSL,



### Bobbin Winding Area

Width (mm)	Build (mm)	Perimeter (mm)
7.9	1.92	17.27



### CORE DATA

Ae (mm <sup>2</sup> )	Ve (mm <sup>3</sup> )	Le (mm)
19.5	471	24.2

### POWER LEVEL (W)

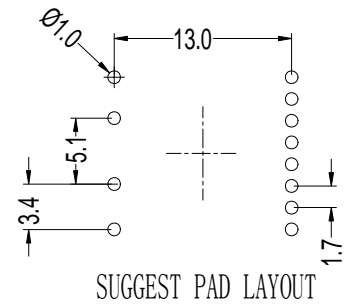
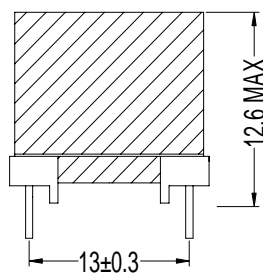
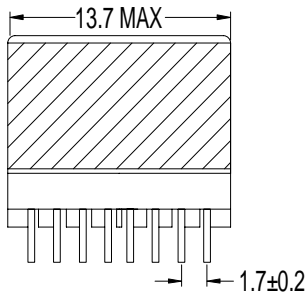
Flyback	Forward	Push-pull
3	5	10

Test frequency: 100KHz

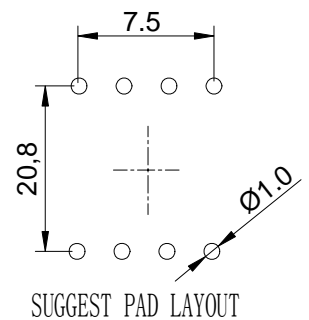
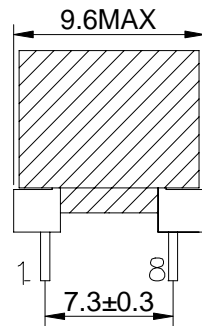
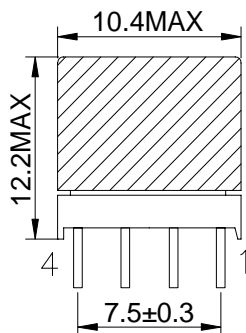
### THT Vertical

Dimensions & Footprint

TYPE1



TYPE2



## EPC13 SERIES POWER TRANSFORMER MODULES

### PRODUCT OVERVIEW: SMD POWER TRANSFORMERS

#### Characteristics

Surface Mount  
Core Direction: horizontal  
Functional Insulation

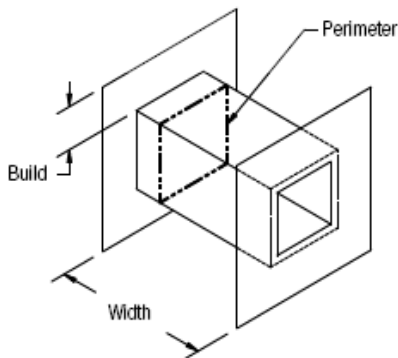
#### Applications

Lighting  
metering  
industrial Controls  
White Goods  
Telecom  
DC/DC Converter



#### Bobbin Winding Area

Width (mm)	Build (mm)	Perimeter (mm)
6.8	1.55	21



#### CORE DATA

$A_e$ (mm <sup>2</sup> )	$V_e$ (mm <sup>3</sup> )	$L_e$ (mm)
12.78	267	28.7

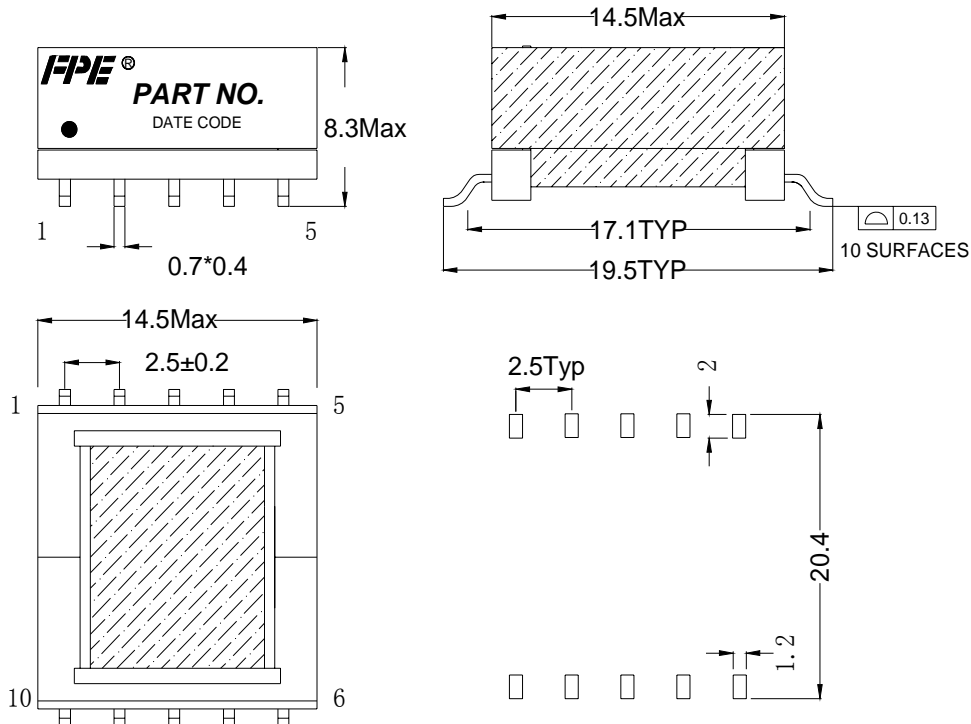
#### POWER LEVEL (W)

Flyback	Forward	Push-pull
5	7.4	

Test frequency: 100KHz

#### THT Horizontal

Dimensions & Footprint



# EPC17 SERIES POWER TRANSFORMER MODULES

## PRODUCT OVERVIEW: SMD POWER TRANSFORMERS

### Characteristics

Surface Mount  
Core Direction: horizontal  
Functional Insulation

### Applications

Lighting  
metering  
industrial Controls  
White Goods  
Telecom  
DC/DC Converter

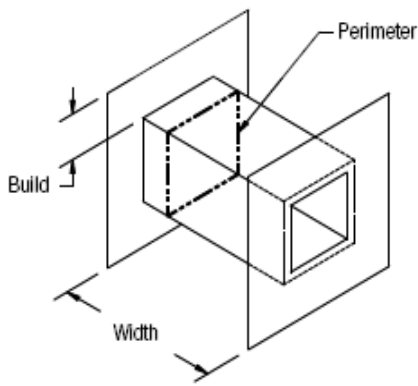


### Bobbin Winding Area

Width (mm)	Build (mm)	Perimeter (mm)
9.6	2	30

### CORE DATA

Ae (mm <sup>2</sup> )	Ve (mm <sup>3</sup> )	Le (mm)
21.16	841.7	21.16



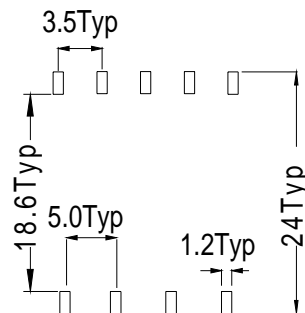
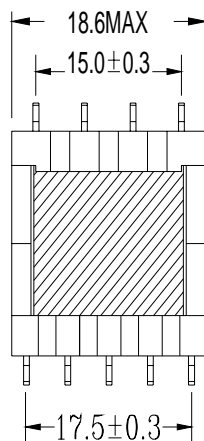
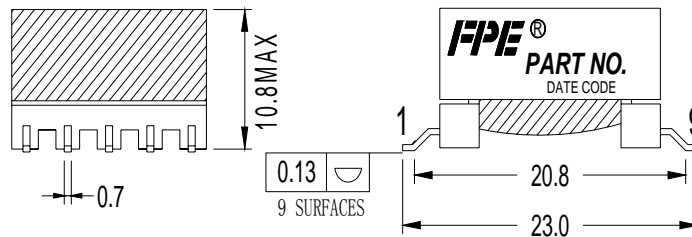
### POWER LEVEL (W)

Flyback	Forward	Push-pull
4	6.65	---

Test frequency: 100KHz

### THT Horizontal

Dimensions & Footprint



SUGGESTED PAD LAYOUT

## EPC19 SERIES POWER TRANSFORMER MODULES

### PRODUCT OVERVIEW: SMD POWER TRANSFORMERS

#### Characteristics

Surface Mount  
Core Direction:horizontal  
Functional Insulation

#### Applications

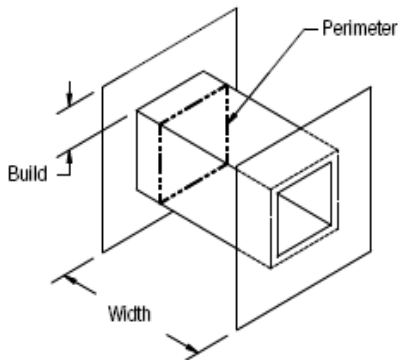
Lighting  
metering  
industrial Controls

White Goods  
Telecom  
DC/DC Converter



#### Bobbin Winding Area

Width (mm)	Build (mm)	Perimeter (mm)
12.3	2.55	28.8



#### CORE DATA

Ae (mm <sup>2</sup> )	Ve (mm <sup>3</sup> )	Le (mm)
22.7	1046.5	46.1

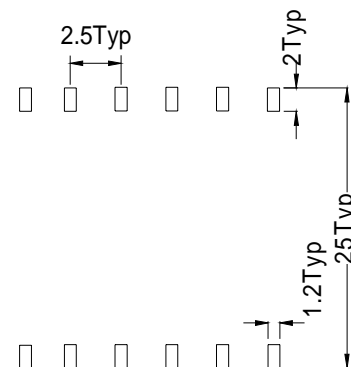
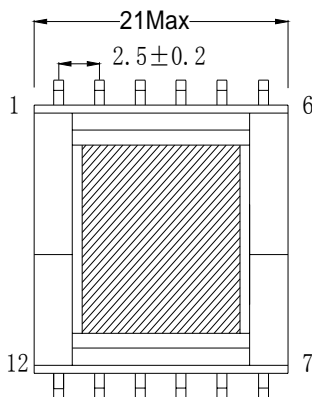
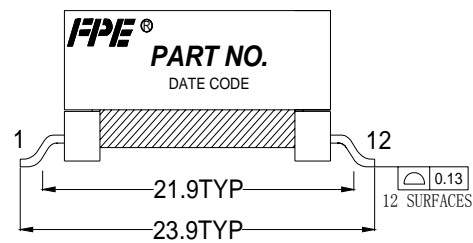
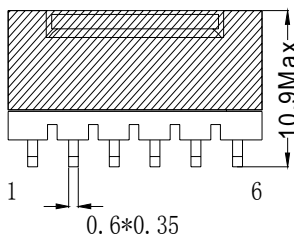
#### POWER LEVEL (W)

Flyback	Forward	Push-pull
5.4	8.8	---

Test frequency:100KHz

#### THT Horizontal

Dimensions & Footprint



SUGGESTED PAD LAYOUT

# EE13 SERIES POWER TRANSFORMER MODULES

## PRODUCT OVERVIEW:THT POWER TRANSFORMERS

### Characteristics

High insulation type High efficiency  
IEC60950 Compatible  
Operating temperature range:-40°C to +85°C

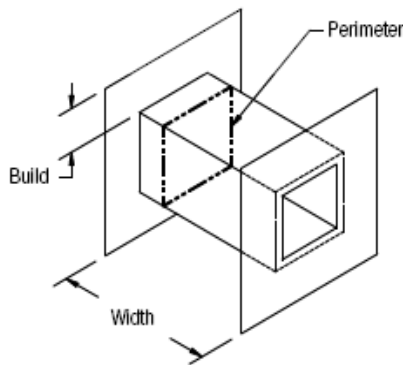
### Applications

Lighting White Goods  
metering Telecom  
industrial Controls Stand-by Power  
Charging



### Bobbin Winding Area

Width(mm)	Build(mm)	Perimeter(mm)
7.49	1.85	24.6



### CORE DATA

Ae(mm <sup>2</sup> )	Ve(mm <sup>3</sup> )	Le(mm)
20.2	559	28

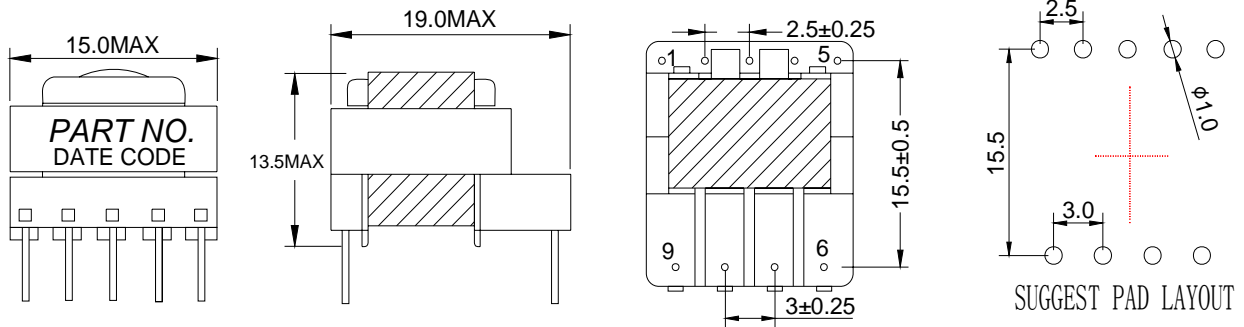
### POWER LEVEL (W)

Flyback	Forward	Push-pull
2	3	6

Test frequency:100KHz

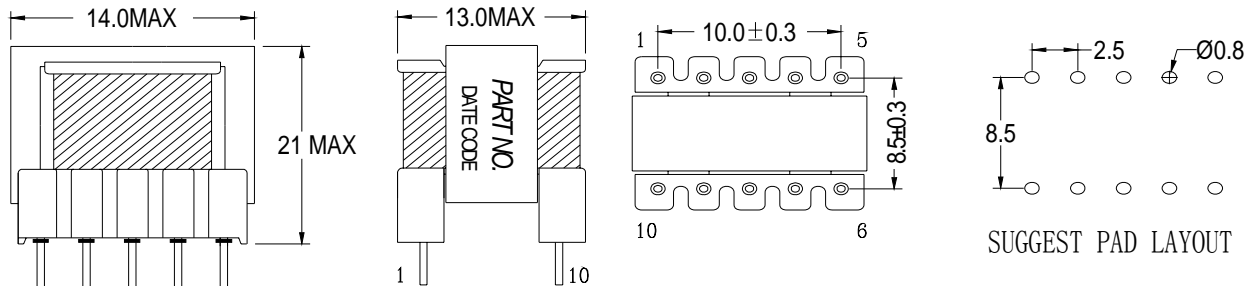
### THT Vertical

Dimensions & Footprint



### THT Horizontal

Dimensions & Footprint



# EE16 SERIES POWER TRANSFORMER MODULES

## PRODUCT OVERVIEW: THT POWER TRANSFORMERS

### Characteristics

High insulation type High efficiency  
 IEC60950 Compatible  
 Operating temperature range: -40°C to +85°C

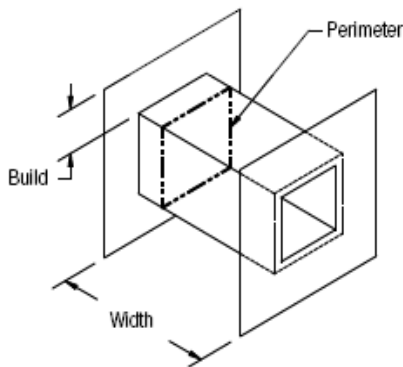
### Applications

Lighting                      White Goods  
 metering                      Telecom  
 industrial Controls              Stand-by Power  
 Charging



### Bobbin Winding Area

Width (mm)	Build (mm)	Perimeter (mm)
8	2.54	24



### CORE DATA

Ae (mm <sup>2</sup> )	Ve (mm <sup>3</sup> )	Le (mm)
198	683	34.4

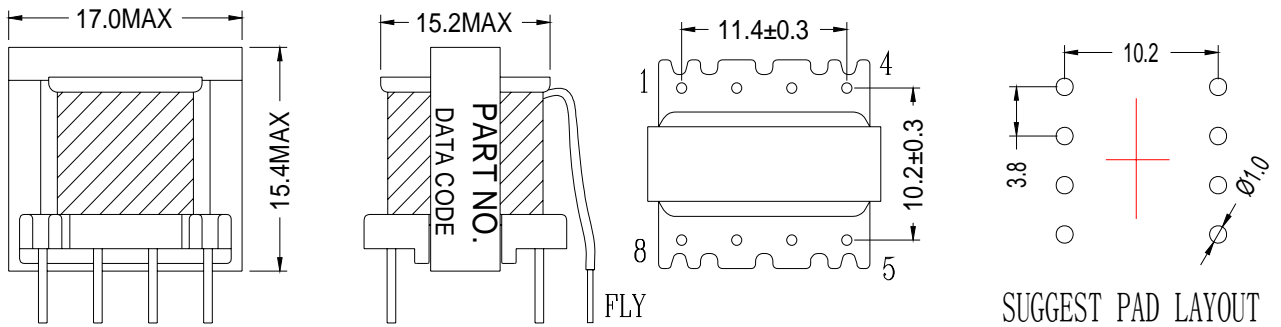
### POWER LEVEL (W)

Flyback	Forward	Push-pull
5	8	16

Test frequency: 100KHz

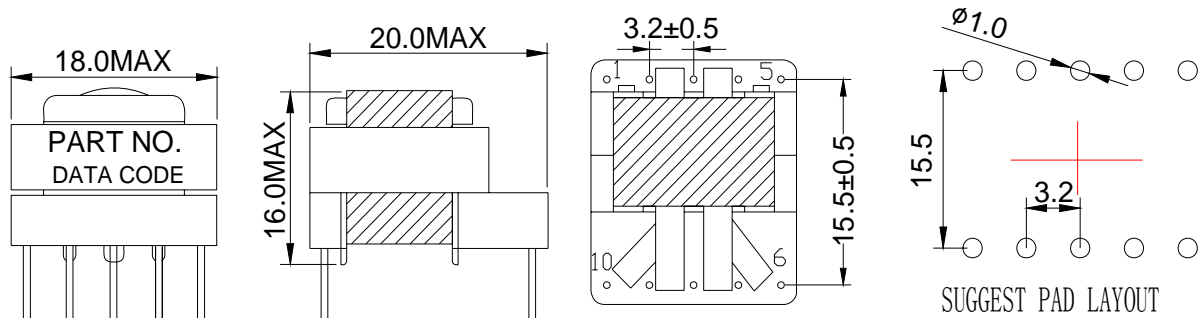
### THT Vertical

Dimensions & Footprint



### THT Horizontal

Dimensions & Footprint



# EE19 SERIES POWER TRANSFORMER MODULES

## PRODUCT OVERVIEW: THT POWER TRANSFORMERS

### Characteristics

High insulation type High efficiency  
IEC60950 Compatible  
Operating temperature range: -40°C to +85°C

### Applications

Lighting  
metering  
industrial Controls  
Charging  
White Goods  
Telecom  
Stand-by Power

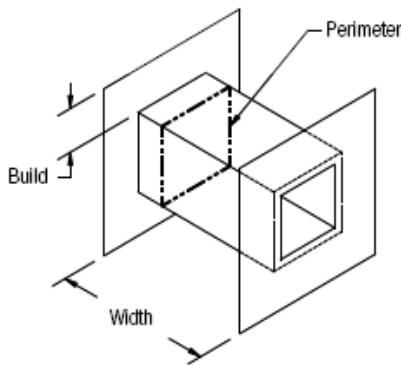


### Bobbin Winding Area

Width (mm)	Build (mm)	Perimeter (mm)
8.8	3.15	28.8

### CORE DATA

Ae (mm <sup>2</sup> )	Ve (mm <sup>3</sup> )	Le (mm)
226	900	39.5



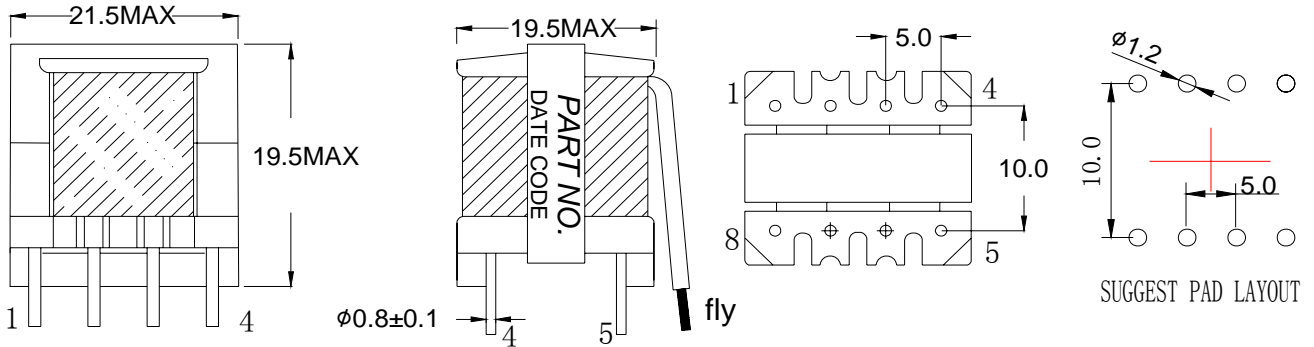
### POWER LEVEL (W)

Flyback	Forward	Push-pull
6	12	25

Test frequency: 100KHz

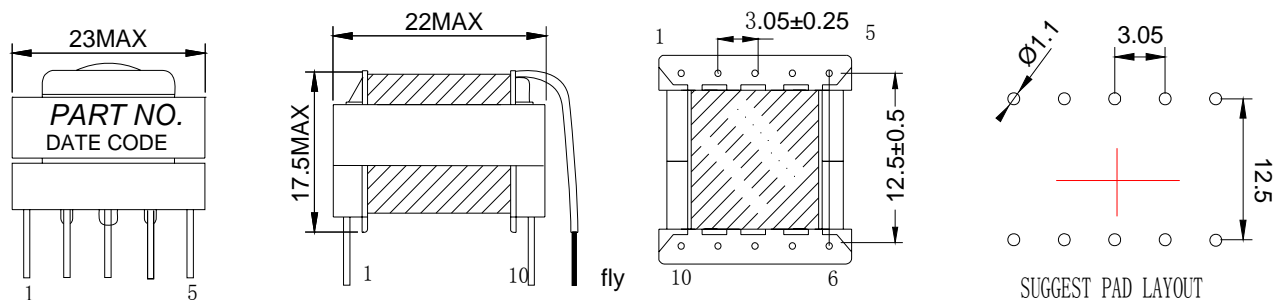
### THT Vertical

Dimensions & Footprint



### THT Horizontal

Dimensions & Footprint



# EE25 SERIES POWER TRANSFORMER MODULES

## PRODUCT OVERVIEW:THT POWER TRANSFORMERS

### Characteristics

High insulation type High efficiency  
 IEC60950 Compatible  
 Operating temperature range:-40°C to +85°C

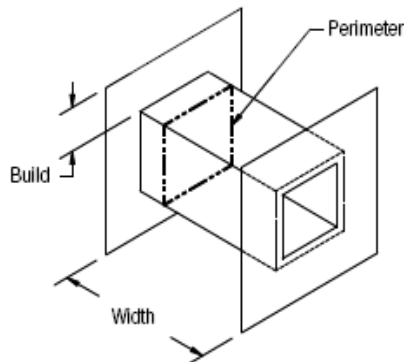
### Applications

Lighting  
 metering  
 industrial Controls  
 White Goods  
 Telecom  
 Stand-by Power



### Bobbin Winding Area

Width(mm)	Build(mm)	Perimeter(mm)
15.2	4.05	37.2



### CORE DATA

Ae (mm <sup>2</sup> )	Ve (mm <sup>3</sup> )	Le (mm)
51.4	2970	57.8

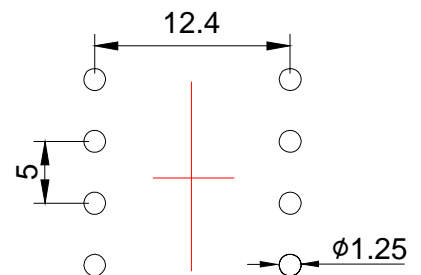
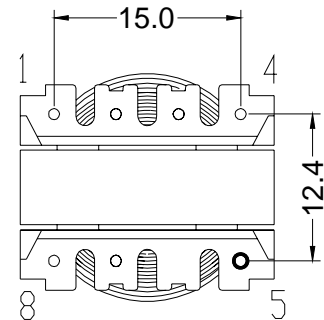
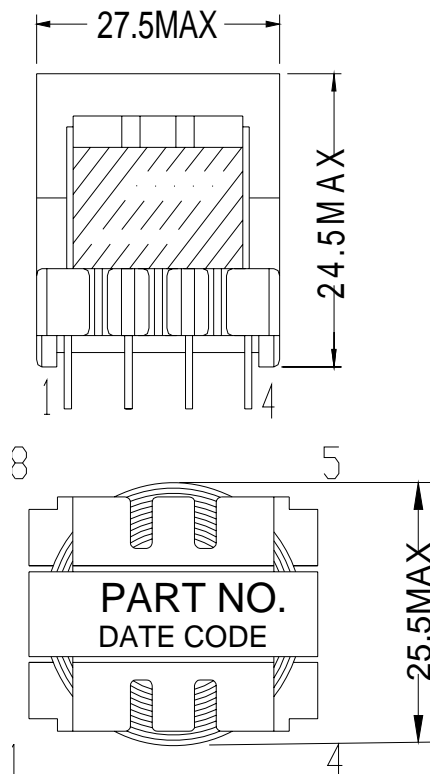
### POWER LEVEL (W)

Flyback	Forward	Push-pull
47	71	141

Test frequency:100KHz

### THT Vertical

Dimensions & Footprint





## EF12 6 SERIES POWER TRANSFORMER MODULES

### PRODUCT OVERVIEW:THT POWER TRANSFORMERS

#### Characteristics

High insulation type High efficiency  
IEC60950 Compatible  
Operating temperature range:-40°C to +85°C

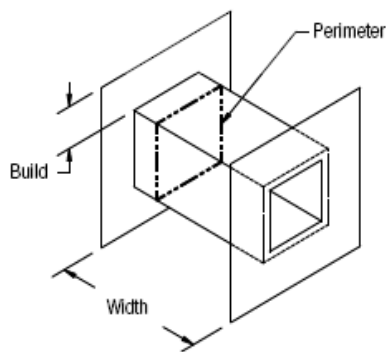
#### Applications

Lighting  
metering  
industrial Controls  
Charging  
White Goods  
Telecom  
Stand-by Power



#### Bobbin Winding Area

Width (mm)	Build (mm)	Perimeter (mm)
7.49	1.85	24.6



#### CORE DATA

Ae (mm <sup>2</sup> )	Ve (mm <sup>3</sup> )	Le (mm)
20.2	559	28

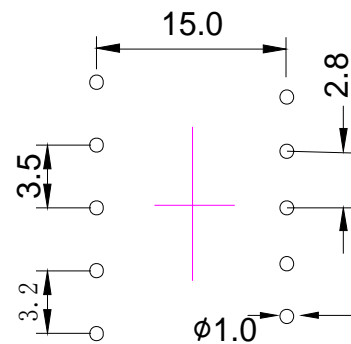
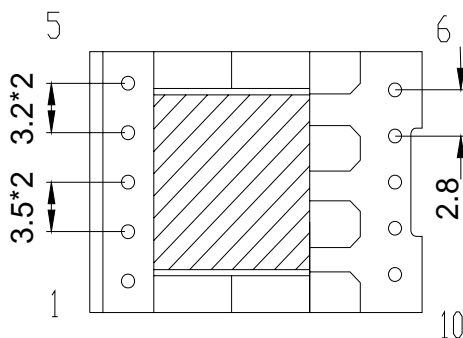
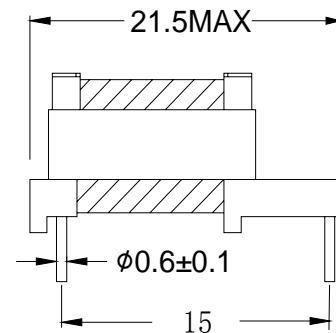
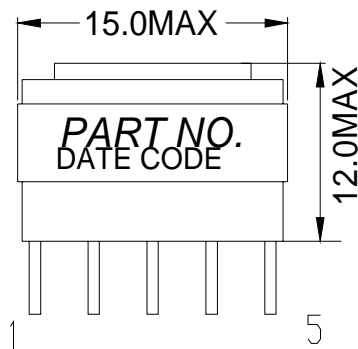
#### POWER LEVEL (W)

Flyback	Forward	Push-pull
2	3	6

Test frequency:100KHz

#### THT Horizontal

Dimensions & Footprint



SUGGEST PAD LAYOUT



## EF25 SERIES POWER TRANSFORMER MODULES

### PRODUCT OVERVIEW: THT POWER TRANSFORMERS

#### Characteristics

High insulation type High efficiency  
 IEC60950 Compatible  
 Operating temperature range: -40°C to +85°C

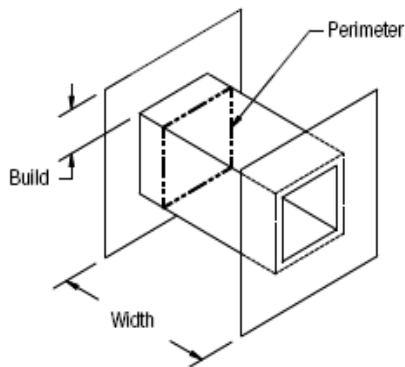
#### Applications

Lighting  
 metering  
 industrial Controls  
 White Goods  
 Telecom  
 DC/DC Converter



#### Bobbin Winding Area

Width (mm)	Build (mm)	Perimeter (mm)
15.2	4.05	37.2



#### CORE DATA

Ae (mm <sup>2</sup> )	Ve (mm <sup>3</sup> )	Le (mm)
51.4	2970	57.8

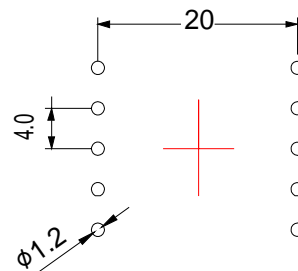
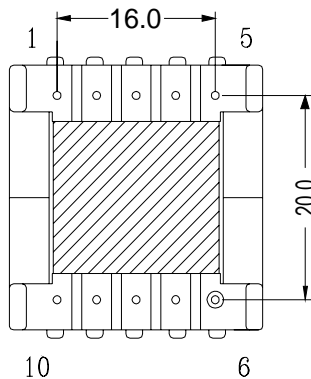
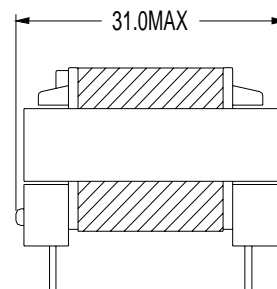
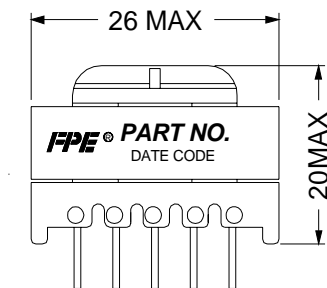
#### POWER LEVEL (W)

Flyback	Forward	Push-pull
47	71	141

Test frequency: 100KHz

#### THT Horizontal

Dimensions & Footprint



SUGGEST PAD LAYOUT

# RMS SERIES POWER TRANSFORMER MODULES

## PRODUCT OVERVIEW: THT POWER TRANSFORMERS

### Characteristics

High insulation type High efficiency  
 IEC60950 Compatible  
 Operating temperature range: -40°C to +85°C

### Applications

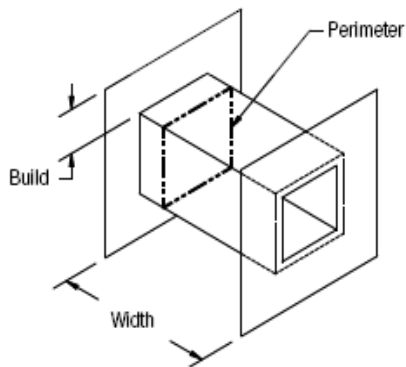
Lighting  
 metering  
 industrial Controls  
 CMC

White Goods  
 Telecom  
 DC/DC Converter



### Bobbin Winding Area

Width (mm)	Build (mm)	Perimeter (mm)
6.4	2.4	23.38



### CORE DATA

Ae (mm <sup>2</sup> )	Ve (mm <sup>3</sup> )	Le (mm)
31	837	27

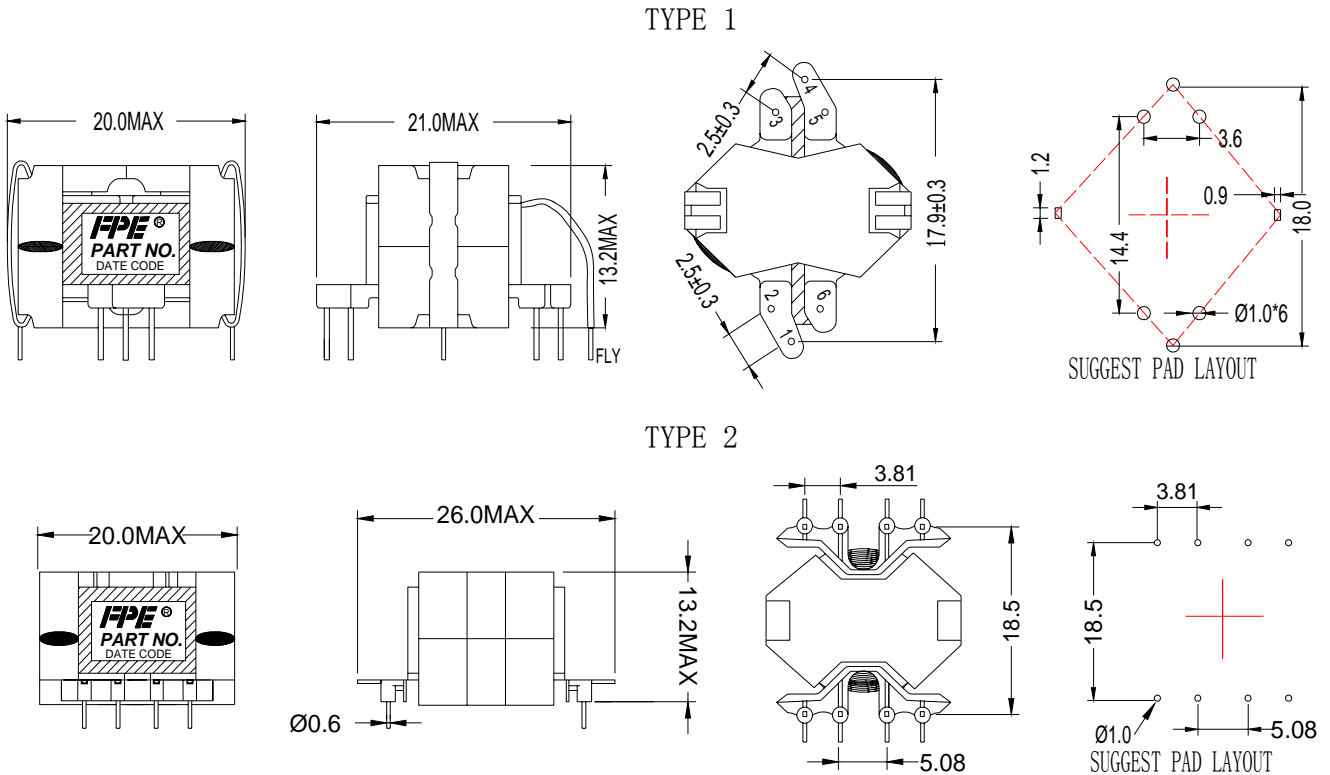
### POWER LEVEL (W)

Flyback	Forward	Push-pull
4	9	18

Test frequency: 100KHz

### THT Vertical

Dimensions & Footprint



# RMS SERIES POWER TRANSFORMER MODULES

## PRODUCT OVERVIEW: THT POWER TRANSFORMERS

### Characteristics

High insulation type High efficiency  
IEC60950 Compatible  
Operating temperature range: -40°C to +85°C

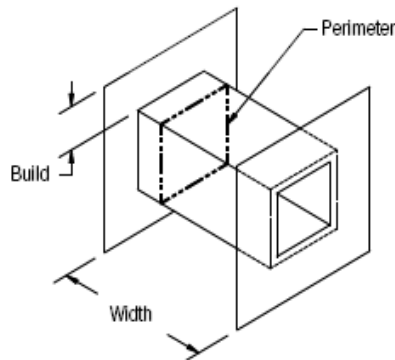
### Applications

Lighting                      White Goods  
metering                      Telecom  
industrial Controls              DC/DC Converter  
CMC



### Bobbin Winding Area

Width (mm)	Build (mm)	Perimeter (mm)
9.14	3.4	30.89



### CORE DATA

Ae (mm <sup>2</sup> )	Ve (mm <sup>3</sup> )	Le (mm)
52	1825.2	35.1

### POWER LEVEL (W)

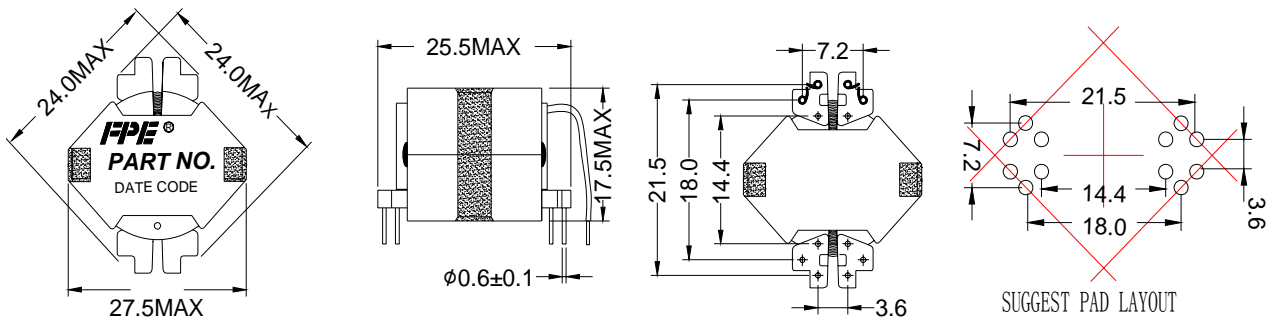
Flyback	Forward	Push-pull
20	30	60

Test frequency: 100KHz

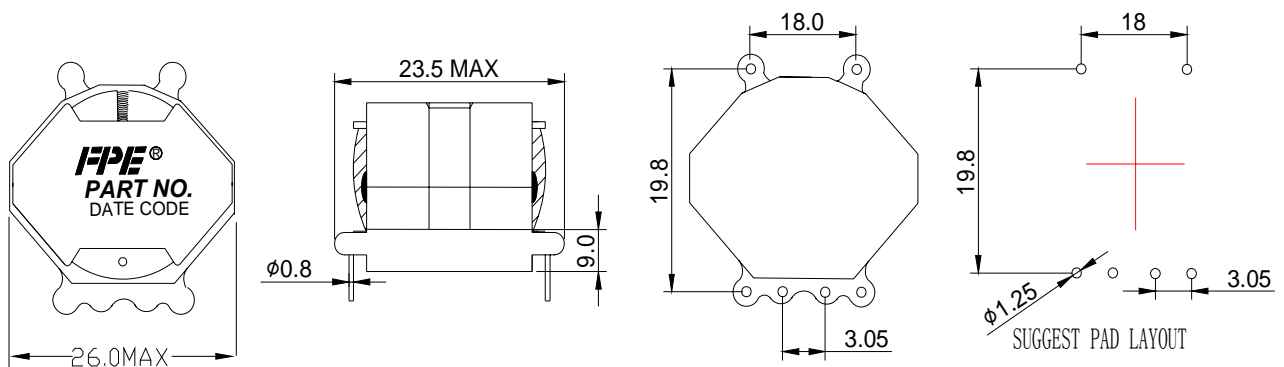
### THT Vertical

Dimensions & Footprint

#### TYPE 1



#### TYPE 2



# RMO SERIES POWER TRANSFORMER MODULES

## PRODUCT OVERVIEW: THT POWER TRANSFORMERS

### Characteristics

High insulation type High efficiency  
IEC60950 Compatible  
Operating temperature range: -40°C to +85°C

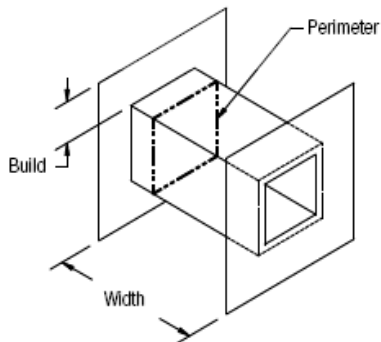
### Applications

Lighting  
CMC  
industrial Controls  
White Goods  
Telecom  
DC/DC Converter



### Bobbin Winding Area

Width (mm)	Build (mm)	Perimeter (mm)
10.49	4.29	38.6



### CORE DATA

Ae (mm <sup>2</sup> )	Ve (mm <sup>3</sup> )	Le (mm)
90	3960	44

### POWER LEVEL (W)

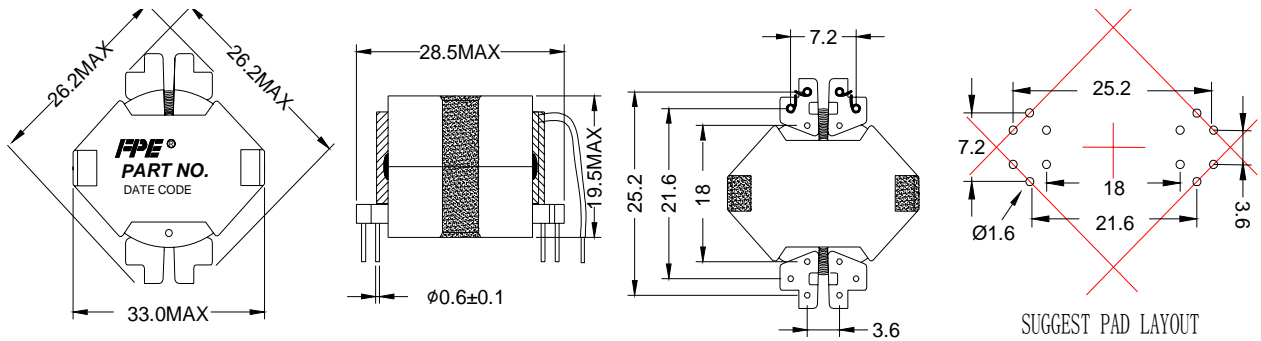
Flyback	Forward	Push-pull
44	65	131

Test frequency: 100KHz

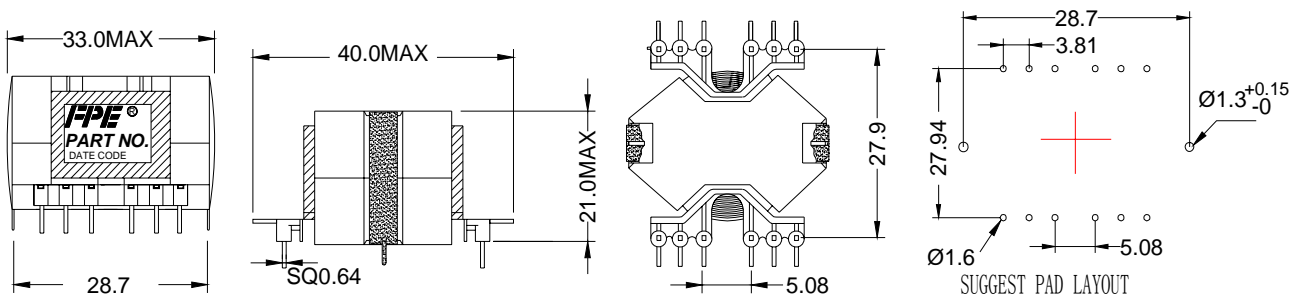
### THT Vertical

Dimensions & Footprint

Model 1



Model 2



## PO2016 SERIES POWER TRANSFORMER MODULES

### PRODUCT OVERVIEW: THT POWER TRANSFORMERS

#### Characteristics

High insulation type High efficiency  
IEC60950 Compatible  
Operating temperature range: -40°C to +85°C

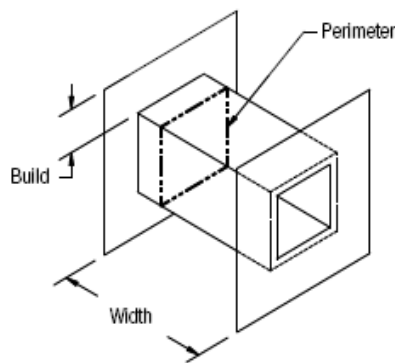
#### Applications

Lighting  
CMC  
industrial Controls  
White Goods  
Telecom  
DC/DC Converter



#### Bobbin Winding Area

Width (mm)	Build (mm)	Perimeter (mm)
7.9	3.12	34.5



#### CORE DATA

Ae (mm <sup>2</sup> )	Ve (mm <sup>3</sup> )	Le (mm)
62	2318.3	37.4

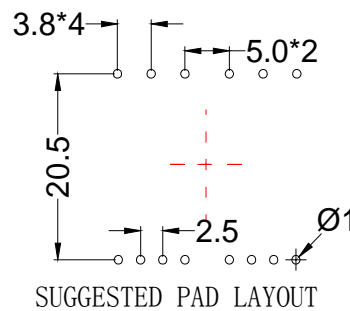
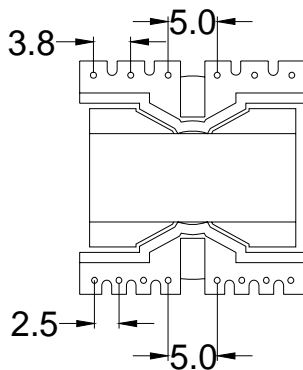
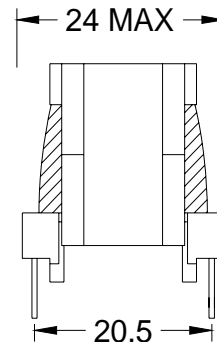
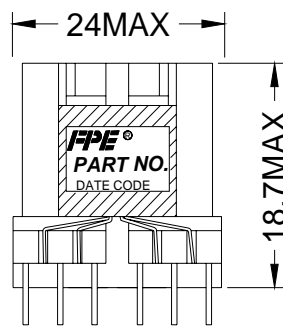
#### POWER LEVEL (W)

Flyback	Forward	Push-pull
19	28	56

Test frequency: 100KHz

#### THT Vertical

Dimensions & Footprint



## PQ2620 SERIES POWER TRANSFORMER MODULES

### PRODUCT OVERVIEW: THT POWER TRANSFORMERS

#### Characteristics

High insulation type High efficiency  
IEC60950 Compatible  
Operating temperature range: -40°C to +85°C

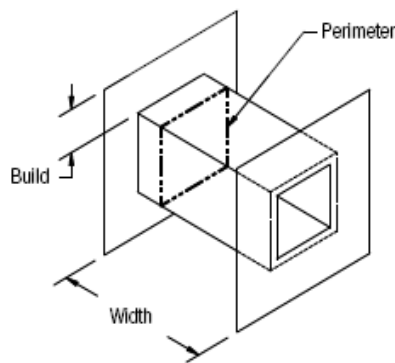
#### Applications

Lighting  
CMC  
Industrial Controls  
White Goods  
Telecom  
DC/DC Converter



#### Bobbin Winding Area

Width (mm)	Build (mm)	Perimeter (mm)
8.9	3.76	44.58



#### CORE DATA

Ae (mm <sup>2</sup> )	Ve (mm <sup>3</sup> )	Le (mm)
119	5509	46.3

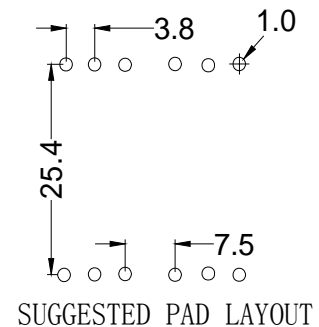
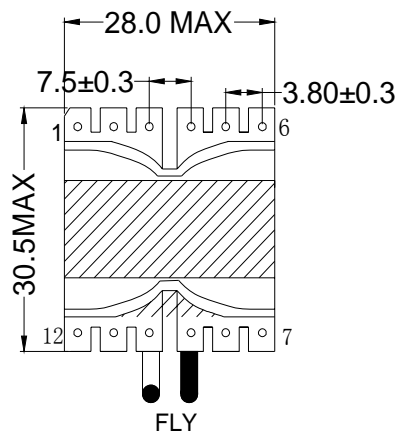
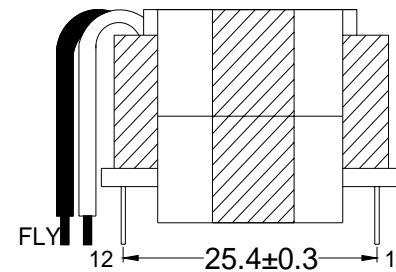
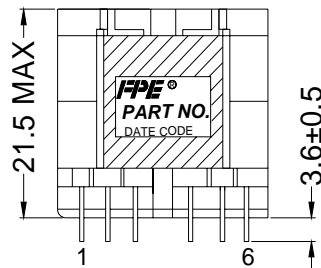
#### POWER LEVEL (W)

Flyback	Forward	Push-pull
33	69	138

Test frequency: 100KHz

#### THT Vertical

Dimensions & Footprint





# PQ3220 SERIES POWER TRANSFORMER MODULES

## PRODUCT OVERVIEW:THT POWER TRANSFORMERS

### Characteristics

High insulation type High efficiency  
IEC60950 Compatible  
Operating temperature range:-40°C to +85°C

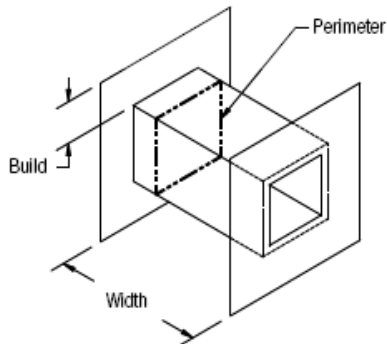
### Applications

Lighting  
CMC  
Industrial Controls  
White Goods  
Telecom  
DC/DC Converter



### Bobbin Winding Area

Width (mm)	Build (mm)	Perimeter (mm)
9.08	5.18	50.3



### CORE DATA

Ae (mm <sup>2</sup> )	Ve (mm <sup>3</sup> )	Le (mm)
169	9447	55.9

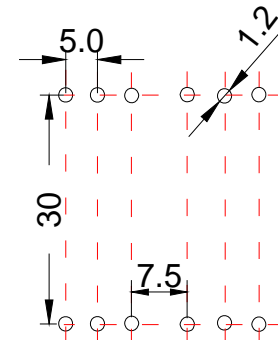
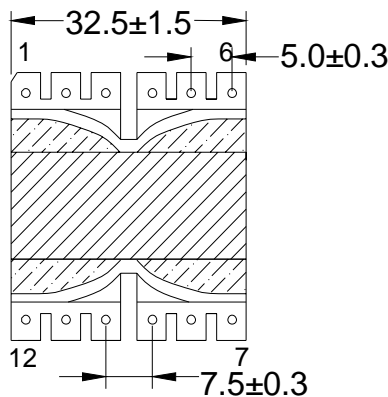
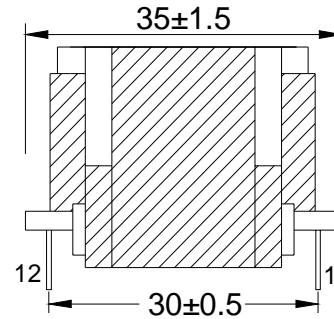
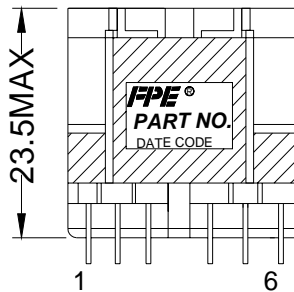
### POWER LEVEL (W)

Flyback	Forward	Push-pull
88	132	264

Test frequency:100KHz

### THT Vertical

Dimensions & Footprint



SUGGESTED PAD LAYOUT

## PO3230 SERIES POWER TRANSFORMER MODULES

### PRODUCT OVERVIEW: THT POWER TRANSFORMERS

#### Characteristics

High insulation type High efficiency  
IEC60950 Compatible  
Operating temperature range: -40°C to +85°C

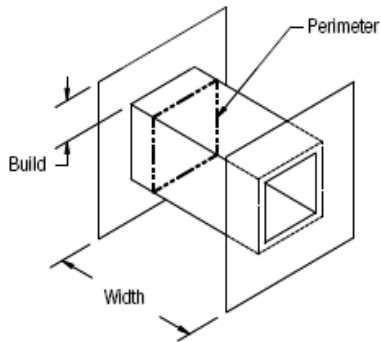
#### Applications

Lighting  
CMC  
Industrial Controls  
White Goods  
Telecom  
DC/DC Converter



#### Bobbin Winding Area

Width (mm)	Build (mm)	Perimeter (mm)
18.69	5.26	50.27



#### CORE DATA

$A_e$ (mm <sup>2</sup> )	$V_e$ (mm <sup>3</sup> )	$L_e$ (mm)
167	12474.9	74.7

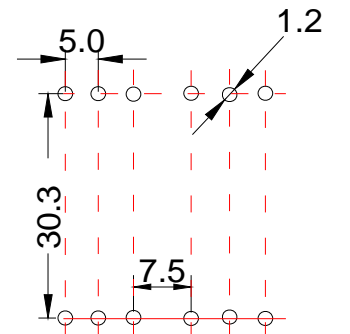
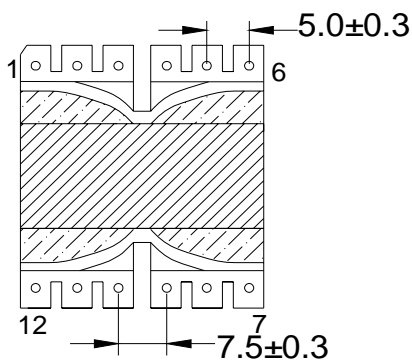
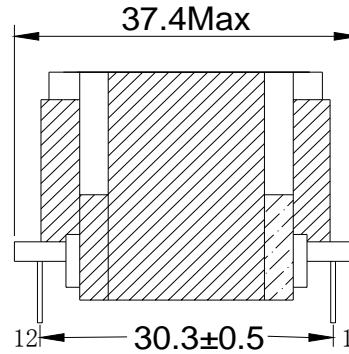
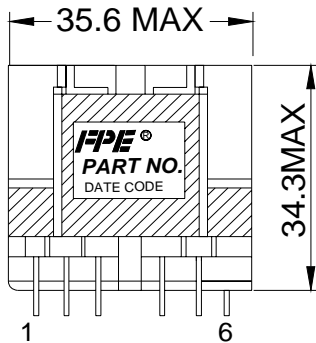
#### POWER LEVEL (W)

Flyback	Forward	Push-pull
154	231	462

Test frequency: 100KHz

#### THT Vertical

Dimensions & Footprint



SUGGESTED PAD LAYOUT

# EPC13 SERIES POWER TRANSFORMER MODULES

## PRODUCT OVERVIEW:THT POWER TRANSFORMERS

### Characteristics

Through-hole  
Core Direction:horizontal  
Functional Insulation

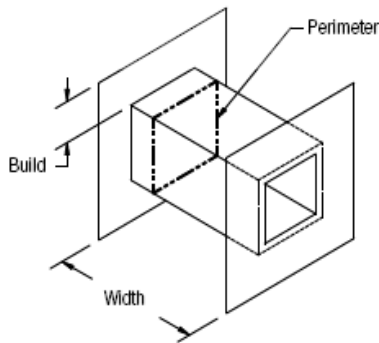
### Applications

Lighting  
metering  
industrial Controls  
White Goods  
Telecom  
DC/DC Converter



### Bobbin Winding Area

Width (mm)	Build (mm)	Perimeter (mm)
6.8	1.55	21



### CORE DATA

Ae (mm <sup>2</sup> )	Ve (mm <sup>3</sup> )	Le (mm)
12.78	267	28.7

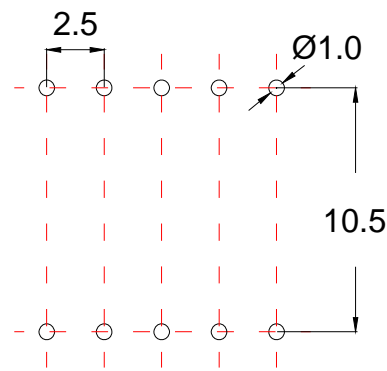
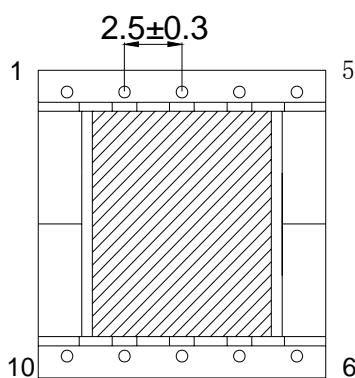
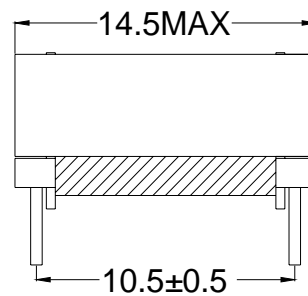
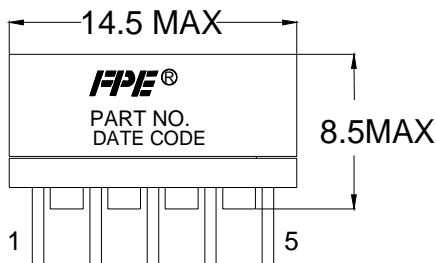
### POWER LEVEL (W)

Flyback	Forward	Push-pull
3	4.8	---

Test frequency:100KHz

### THT Horizontal

Dimensions & Footprint



SUGGESTED PAD LAYOUT

## EPC19 SERIES POWER TRANSFORMER MODULES

### PRODUCT OVERVIEW:THT POWER TRANSFORMERS

#### Characteristics

Through-hole  
Core Direction:horizontal  
Functional Insulation

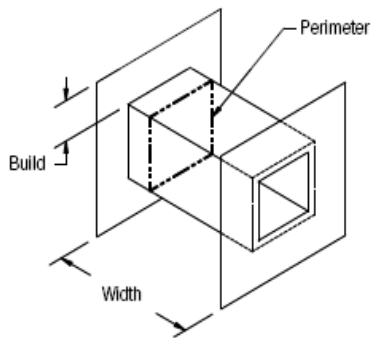
#### Applications

Lighting  
metering  
industrial Controls  
White Goods  
Telecom  
DC/DC Converter



#### Bobbin Winding Area

Width(mm)	Build(mm)	Perimeter(mm)
12.3	2.55	28.8



#### CORE DATA

Ae (mm <sup>2</sup> )	Ve (mm <sup>3</sup> )	Le (mm)
22.7	1046.5	46.1

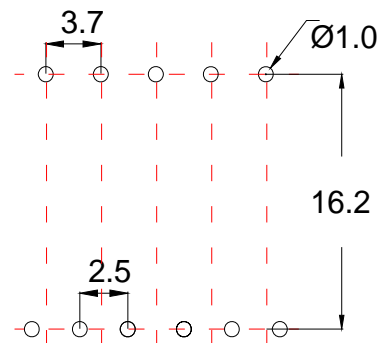
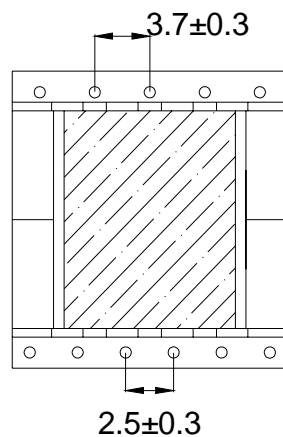
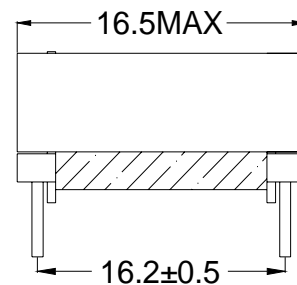
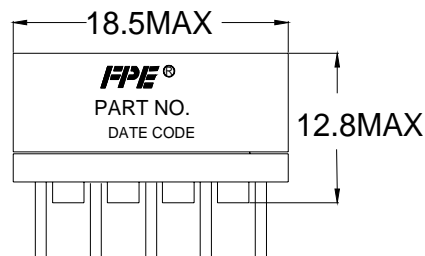
#### POWER LEVEL (W)

Flyback	Forward	Push-pull
5.4	8.8	---

Test frequency:100KHz

#### THT Horizontal

Dimensions & Footprint



SUGGESTED PAD LAYOUT

# ER2828 SERIES POWER TRANSFORMER MODULES

## PRODUCT OVERVIEW:THT POWER TRANSFORMERS

### Characteristics

High insulation type High efficiency  
IEC60950 Compatible  
Operating temperature range:-40°C to +85°C

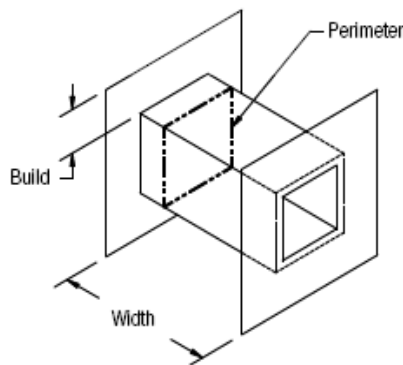
### Applications

Lighting  
metering  
industrial Controls  
Stand-by Power  
White Goods  
Telecom  
DC/DC Converter



### Bobbin Winding Area

Width (mm)	Build (mm)	Perimeter (mm)
16.5	4.4	38.3



### CORE DATA

Ae (mm <sup>2</sup> )	Ve (mm <sup>3</sup> )	Le (mm)
82.7	5309.34	64.2

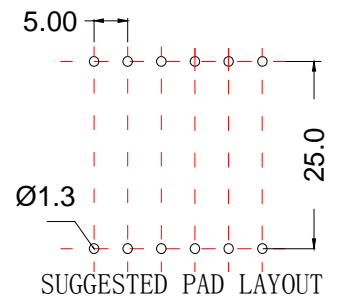
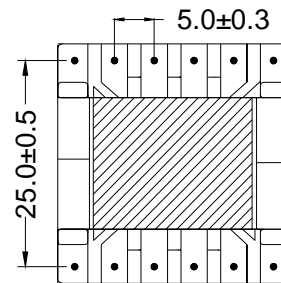
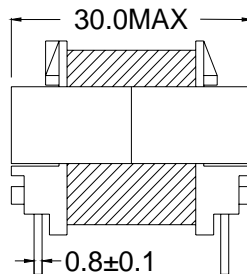
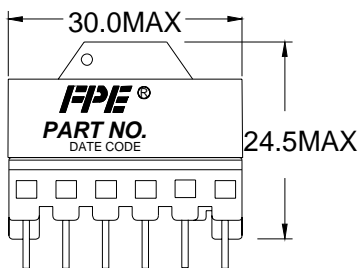
### POWER LEVEL (W)

Flyback	Forward	Push-pull
64	96	184

Test frequency:100KHz

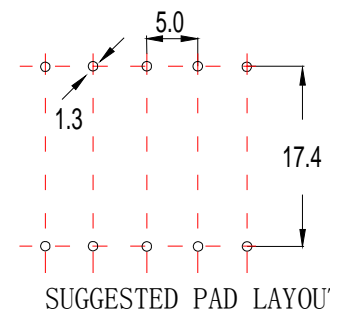
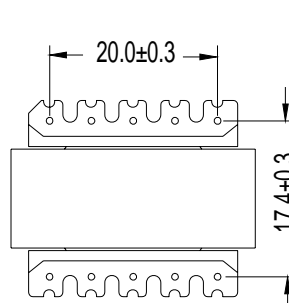
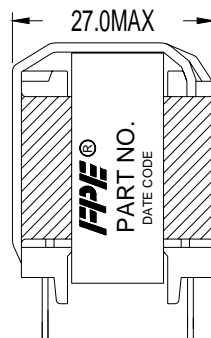
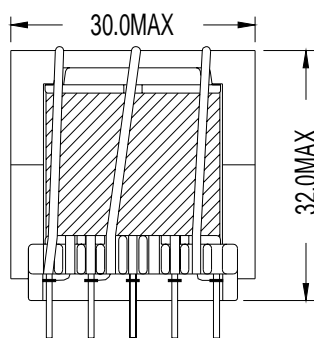
### THT Horizontal

Dimensions & Footprint



### THT Vertical

Dimensions & Footprint



## ERL28 SERIES POWER TRANSFORMER MODULES

### PRODUCT OVERVIEW: THT POWER TRANSFORMERS

#### Characteristics

High insulation type High efficiency  
 IEC60950 Compatible  
 Operating temperature range: -40°C to +85°C

#### Applications

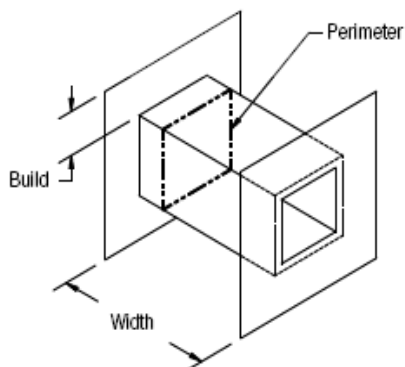
Lighting  
 metering  
 industrial Controls  
 Stand-by Power

White Goods  
 Telecom  
 DC/DC Converter



#### Bobbin Winding Area

Width (mm)	Build (mm)	Perimeter (mm)
22.9	4.24	38.6



#### CORE DATA

Ae (mm <sup>2</sup> )	Ve (mm <sup>3</sup> )	Le (mm)
81.4	6145.7	75.5

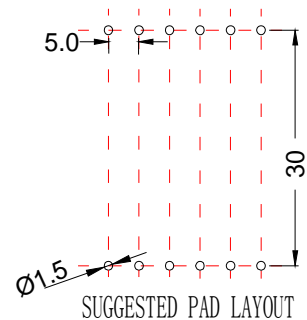
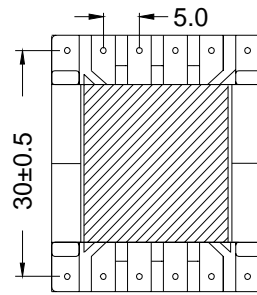
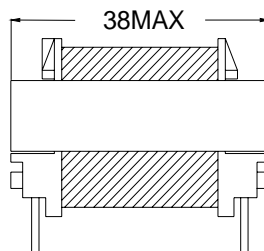
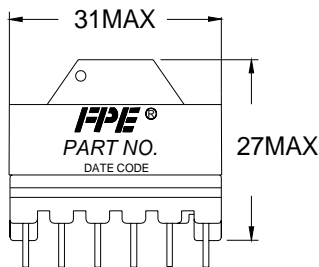
#### POWER LEVEL (W)

Flyback	Forward	Push-pull
60	124	247

Test frequency: 100KHz

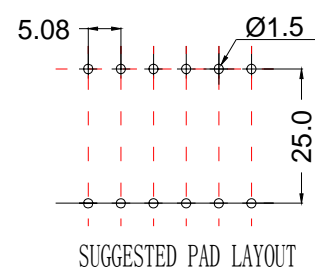
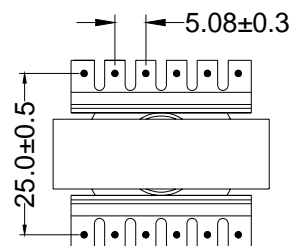
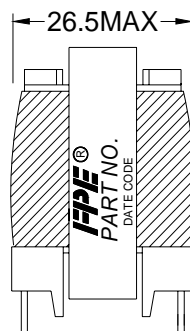
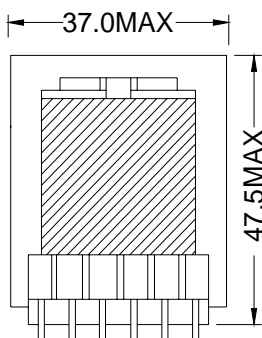
#### THT Horizontal

Dimensions & Footprint



#### THT Vertical

Dimensions & Footprint



# ERL35 SERIES POWER TRANSFORMER MODULES

## PRODUCT OVERVIEW: THT POWER TRANSFORMERS

### Characteristics

High insulation type High efficiency  
 IEC60950 Compatible  
 Operating temperature range: -40°C to +85°C

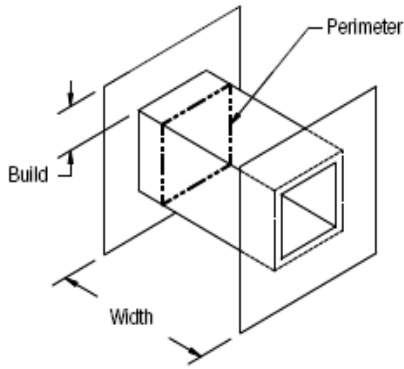
### Applications

Lighting  
 metering  
 industrial Controls  
 Stand-by Power  
 White Goods  
 Telecom  
 DC/DC Converter



### Bobbin Winding Area

Width (mm)	Build (mm)	Perimeter (mm)
27.2	5.69	47.8



### CORE DATA

Ae (mm <sup>2</sup> )	Ve (mm <sup>3</sup> )	Le (mm)
107	9972.4	93.2

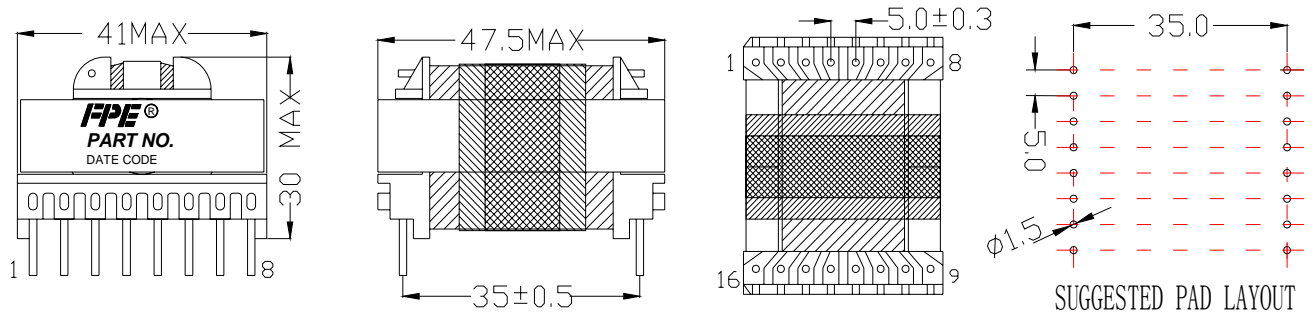
### POWER LEVEL (W)

Flyback	Forward	Push-pull
167	250	501

Test frequency: 100KHz

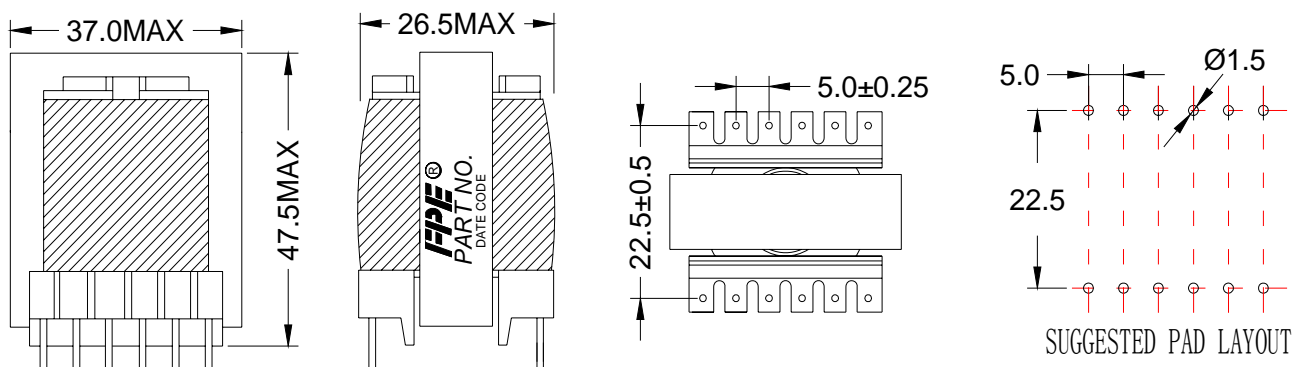
### THT Horizontal

Dimensions & Footprint



### THT Vertical

Dimensions & Footprint



## ETD29 SERIES POWER TRANSFORMER MODULES

### PRODUCT OVERVIEW: THT POWER TRANSFORMERS

#### Characteristics

High insulation type High efficiency  
 IEC60950 Compatible  
 Operating temperature range: -40°C to +85°C

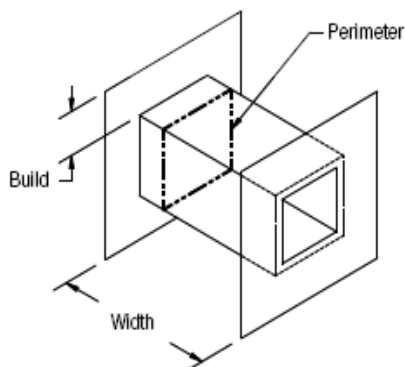
#### Applications

Lighting  
 metering  
 industrial Controls  
 White Goods  
 Telecom  
 Stand-by Power



#### Bobbin Winding Area

Width (mm)	Build (mm)	Perimeter (mm)
19.5	4.9	37.1



#### CORE DATA

Ae (mm <sup>2</sup> )	Ve (mm <sup>3</sup> )	Le (mm)
76.18	5357.74	70.33

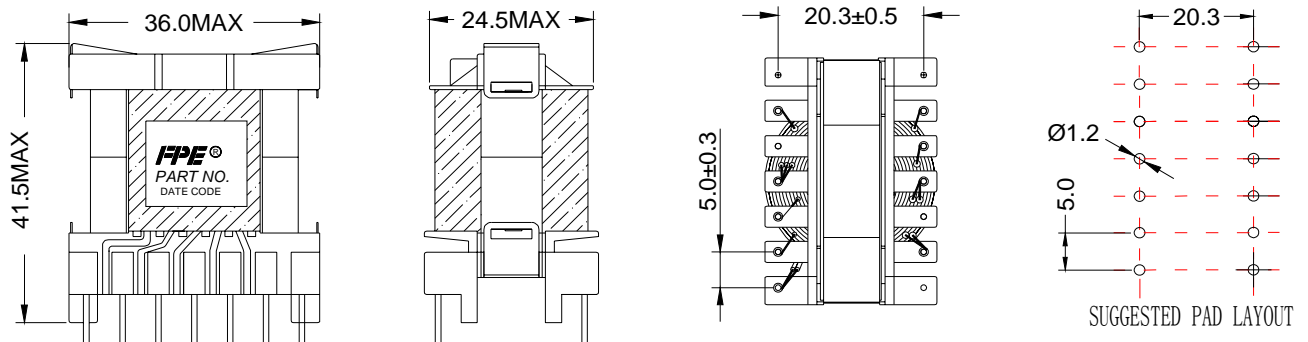
#### POWER LEVEL (W)

Flyback	Forward	Push-pull
71	106	212

Test frequency: 100KHz

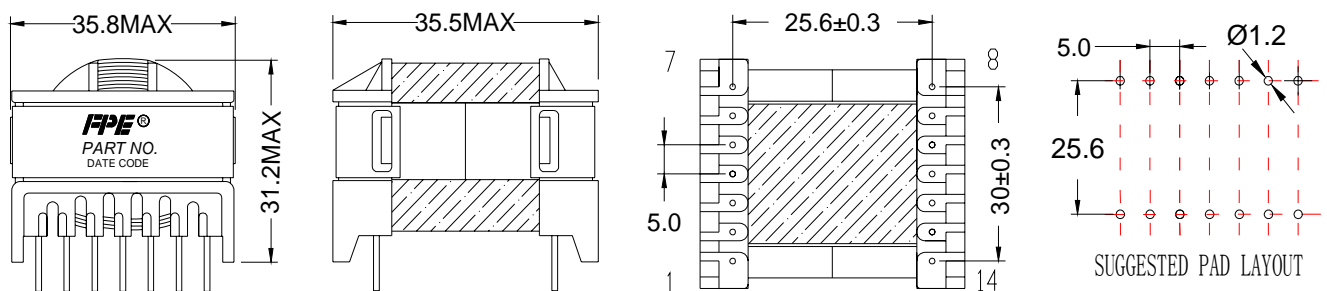
#### THT Horizontal

Dimensions & Footprint



#### THT Vertical

Dimensions & Footprint





## ETD34 SERIES POWER TRANSFORMER MODULES

### PRODUCT OVERVIEW:THT POWER TRANSFORMERS

#### Characteristics

High insulation type High efficiency  
 IEC60950 Compatible  
 Operating temperature range:-40°C to +85°C

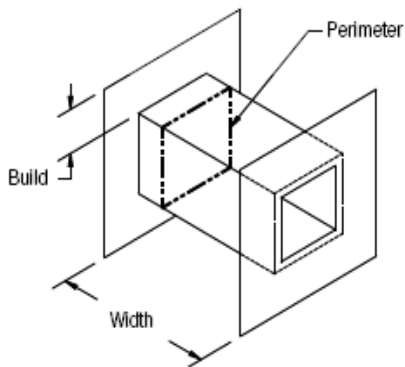
#### Applications

Lighting  
 metering  
 industrial Controls  
 White Goods  
 Telecom  
 Stand-by Power



#### Bobbin Winding Area

Width (mm)	Build (mm)	Perimeter (mm)
21.5	6.8	35.8



#### CORE DATA

Ae (mm <sup>2</sup> )	Ve (mm <sup>3</sup> )	Le (mm)
93.38	7374.69	78.98

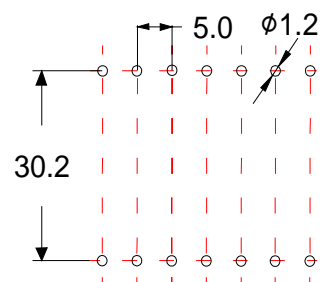
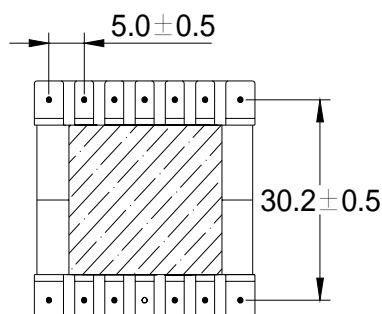
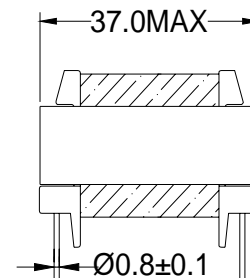
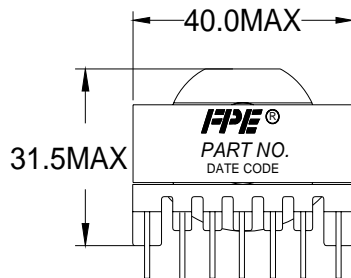
#### POWER LEVEL (W)

Flyback	Forward	Push-pull
116	174	348

Test frequency:100KHz

#### THT Horizontal

Dimensions & Footprint



#### SUGGESTED PAD LAYOUT

# ETD39 SERIES POWER TRANSFORMER MODULES

## PRODUCT OVERVIEW: THT POWER TRANSFORMERS

### Characteristics

High insulation type High efficiency  
IEC60950 Compatible  
Operating temperature range:-40°C to +85°C

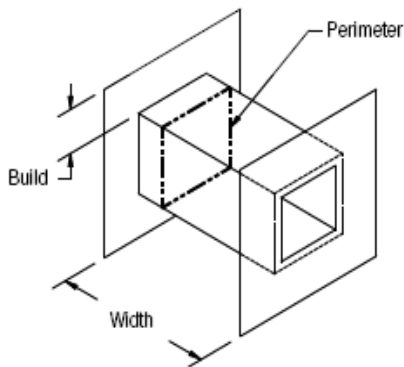
### Applications

Lighting  
metering  
industrial Controls  
White Goods  
Telecom  
Stand-by Power



### Bobbin Winding Area

Width (mm)	Build (mm)	Perimeter (mm)
25.9	6.6	47.1



### CORE DATA

Ae (mm <sup>2</sup> )	Ve (mm <sup>3</sup> )	Le (mm)
123.92	12078.48	97.47

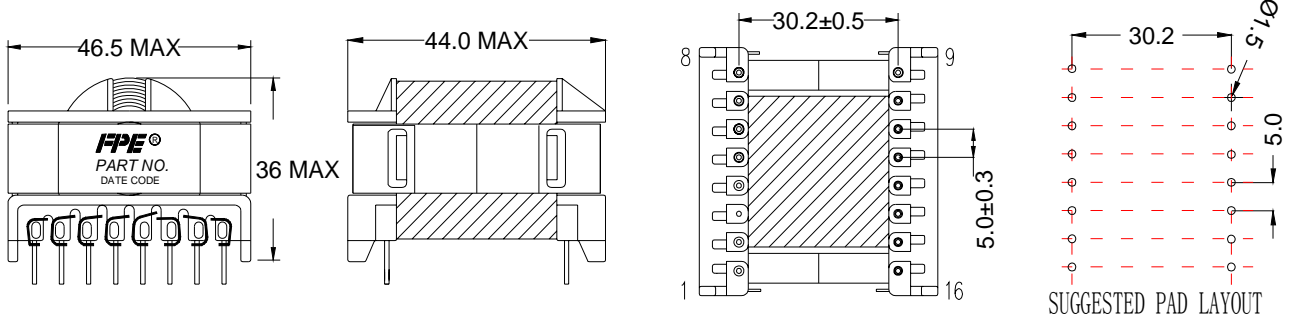
### POWER LEVEL (W)

Flyback	Forward	Push-pull
203	305	609

Test frequency:100KHz

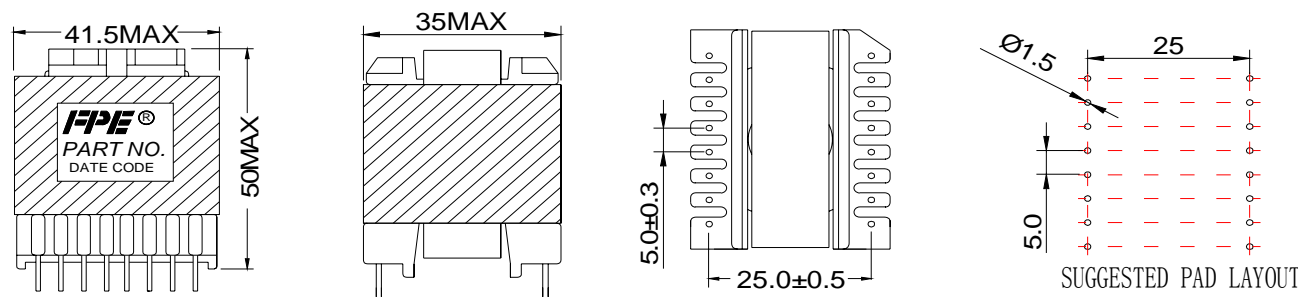
### THT Horizontal

Dimensions & Footprint



### THT Vertical

Dimensions & Footprint



# EFD15 SERIES POWER TRANSFORMER MODULES

## PRODUCT OVERVIEW:THT POWER TRANSFORMERS

### Characteristics

Through-hole  
Core Direction:horizontal  
Functional Insulation

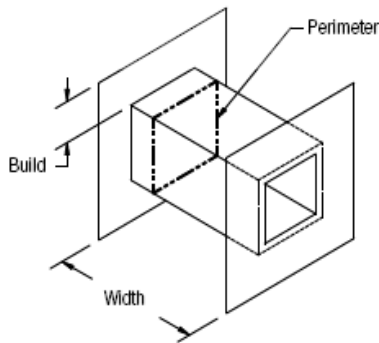
### Applications

Lighting  
metering  
industrial Controls  
White Goods  
Telecom  
DC/DC Converter



### Bobbin Winding Area

Width (mm)	Build (mm)	Perimeter (mm)
9.25	1.8	20.8



### CORE DATA

Ae (mm <sup>2</sup> )	Ve (mm <sup>3</sup> )	Le (mm)
15	510	34

### POWER LEVEL (W)

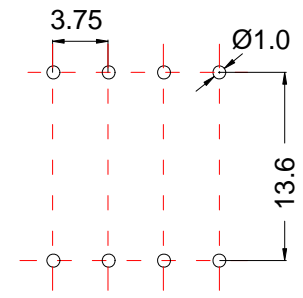
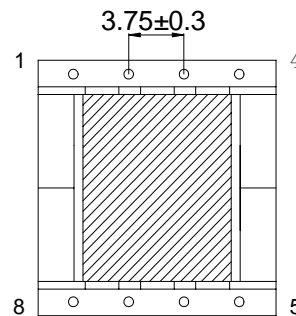
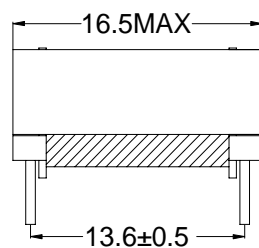
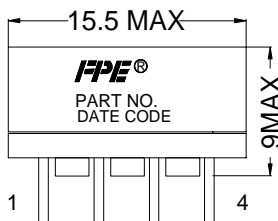
Flyback	Forward	Push-pull
3	5	9

Test frequency:100KHz

### THT Horizontal

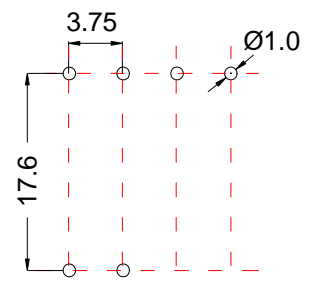
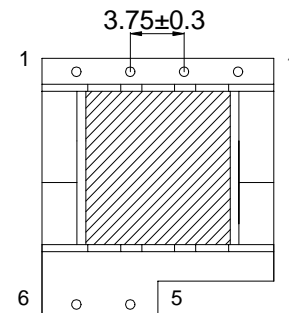
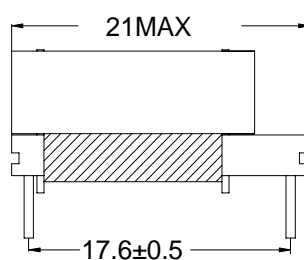
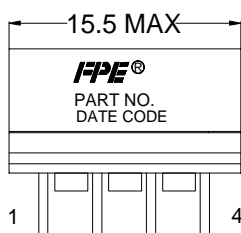
Dimensions & Footprint

TYPE1



SUGGESTED PAD LAYOUT

TYPE2



SUGGESTED PAD LAYOUT

# EFD20 SERIES POWER TRANSFORMER MODULES

## PRODUCT OVERVIEW:THT POWER TRANSFORMERS

### Characteristics

Through-hole  
Core Direction:horizontal  
Functional Insulation

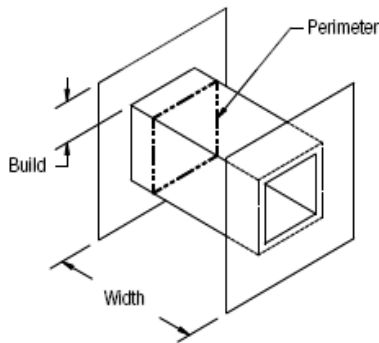
### Applications

Lighting  
metering  
industrial Controls  
White Goods  
Telecom  
DC/DC Converter



### Bobbin Winding Area

Width (mm)	Build (mm)	Perimeter (mm)
13.5	2.2	31.2



### CORE DATA

Ae (mm <sup>2</sup> )	Ve (mm <sup>3</sup> )	Le (mm)
31	1457	47

### POWER LEVEL (W)

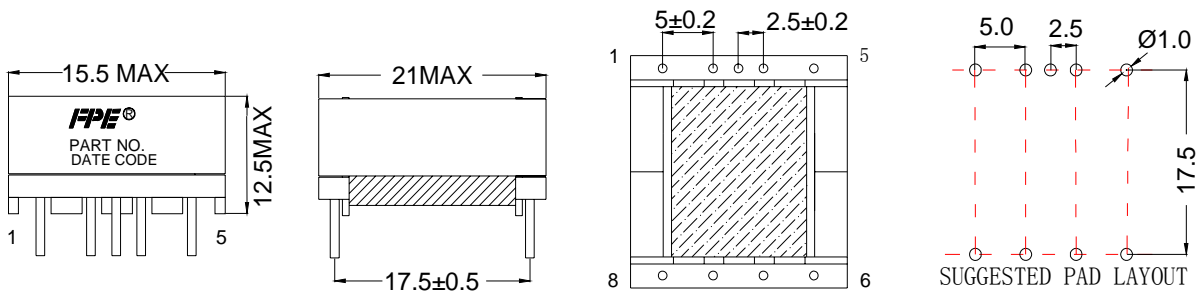
Flyback	Forward	Push-pull
10	15	30

Test frequency:100KHz

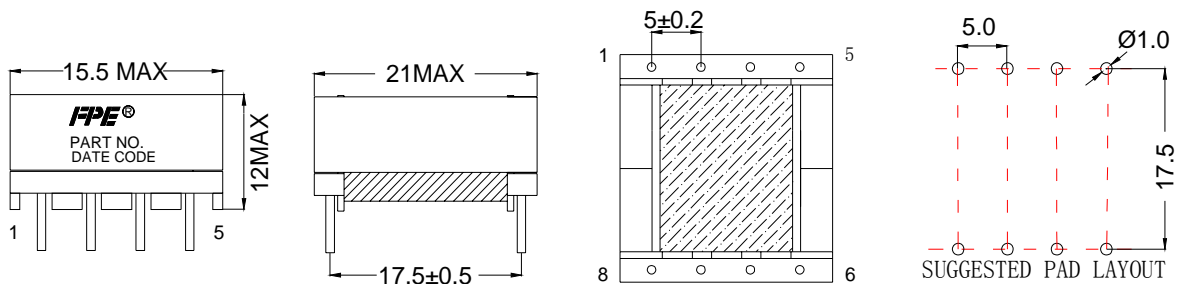
### THT Horizontal

Dimensions & Footprint

TYPE1



TYPE2



# EFD25 SERIES POWER TRANSFORMER MODULES

## PRODUCT OVERVIEW:THT POWER TRANSFORMERS

### Characteristics

Through-hole  
Core Direction:horizontal  
Functional Insulation

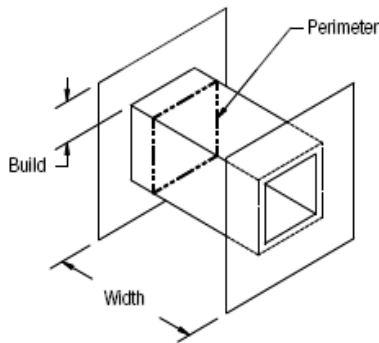
### Applications

Lighting  
metering  
industrial Controls  
White Goods  
Telecom  
DC/DC Converter



### Bobbin Winding Area

Width (mm)	Build (mm)	Perimeter (mm)
16.35	2.25	10.75



### CORE DATA

Ae (mm <sup>2</sup> )	Ve (mm <sup>3</sup> )	Le (mm)
58	3306	57

### POWER LEVEL (W)

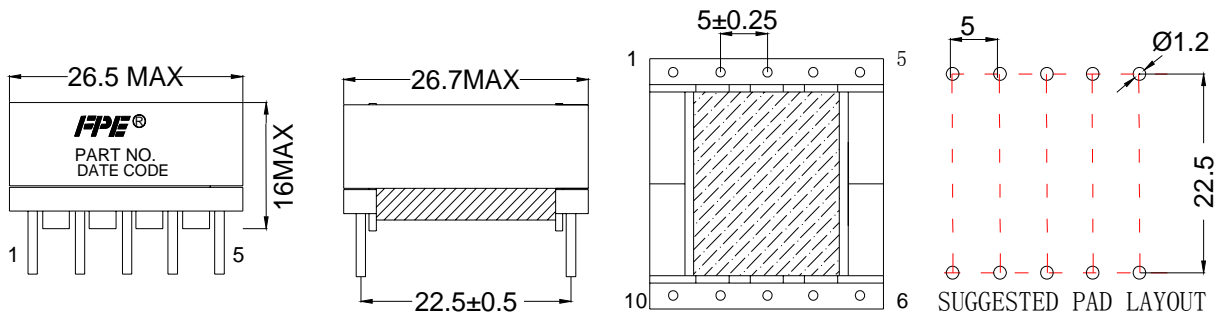
Flyback	Forward	Push-pull
26	39	78

Test frequency:100KHz

### THT Horizontal

Dimensions & Footprint

#### TYPE1



#### TYPE2

