

10/100BASE-T SINGLE TRANSFORMER MODULES

- ◆ Compliant with IEEE802.3 and ANSI X3.263 standards
Including 350uH OCL with 8mA Bias.
- ◆ Single Channel Interface For 10/100 Mbps Ethernet Applications
- ◆ Comply With ROHS



ELECTRICAL SPECIFICATIONS@25°C (Operating Temperature :0°C to 70°C)

Part Number	Turns Ratio ±5%	Insertion Loss(dB max)	Return Loss (dB min)			CMRR (dB min)			Cross Talk (dB min)			Hipot (vrms)
		1-100MHz	1-30 MHz	30-60 MHz	30-60 MHz	1-30 MHz	30-60 MHz	60-100 MHz	1-30 MHz	30-60 MHz	60-100 MHz	
H16101MC	1:1	-1.0	-18	-14	-12	-40	-35	-30	-45	-35	-30	1500
LX16104SN*1	1:1	-1.0	-18	-14	-12	-40	-35	-30	-45	-35	-30	1500
LH16110SN*2	1:1	-1.0	-18	-14	-12	-40	-35	-30	-45	-35	-30	1500
LH16113SN	1:1	-1.0	-18	-14	-12	-40	-35	-30	-45	-35	-30	1500
LH16114SN*3	1:1	-1.0	-18	-14	-12	-40	-35	-30	-45	-35	-30	1500
LH16117SN	1:1	-1.0	-18	-14	-12	-40	-35	-30	-45	-35	-30	1500
LH16121SN	1:1	-1.0	-18	-14	-12	-40	-35	-30	-45	-35	-30	1500
LH16130SN	1:1	-1.0	-18	-14	-12	-40	-35	-30	-45	-35	-30	1500
LH16132SN	1:1	-1.0	-18	-14	-12	-40	-35	-30	-45	-35	-30	1500
LH16133SN	1:1	-1.0	-18	-14	-12	-40	-35	-30	-45	-35	-30	1500

Note:

*1 IEEE802.3at compliant performance

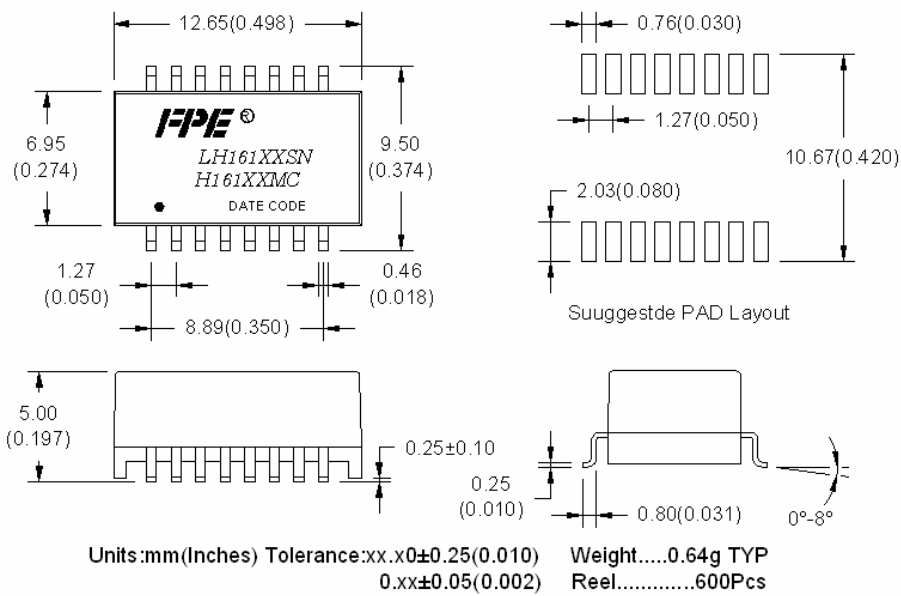
*2 Operating temperature -40°C to +85°C

*3 IEEE802.3af compliant performance

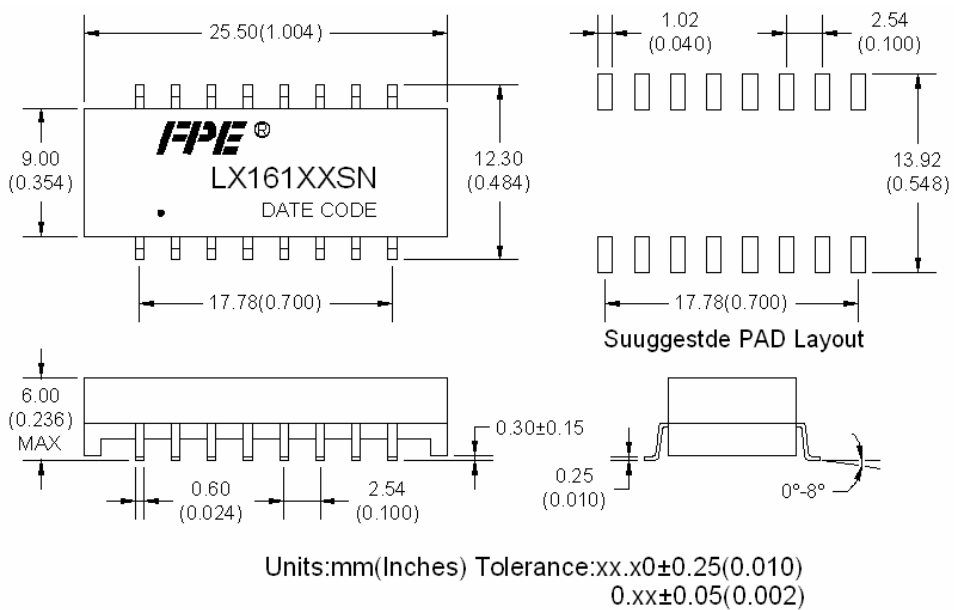
10/100BASE-T SINGLE TRANSFORMER MODULES

MECHANICAL

**H16101MC , LH16110SN, LH16114SN, LH16117SN
LH16121SN, LH16130SN, LH16132SN, LH16133SN**



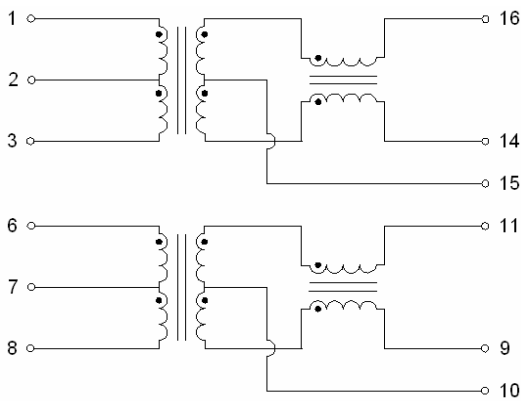
LX16104SN, LH16113SN



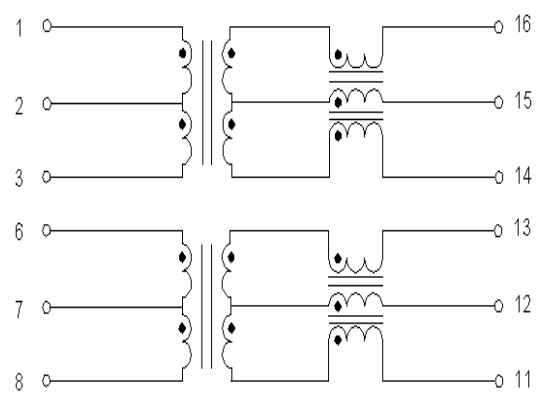
10/100BASE-T SINGLE TRANSFORMER MODULES

SCHEMATICS

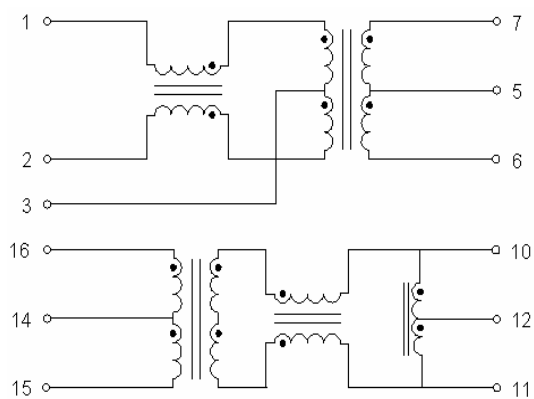
H16101MC, LH16110SN



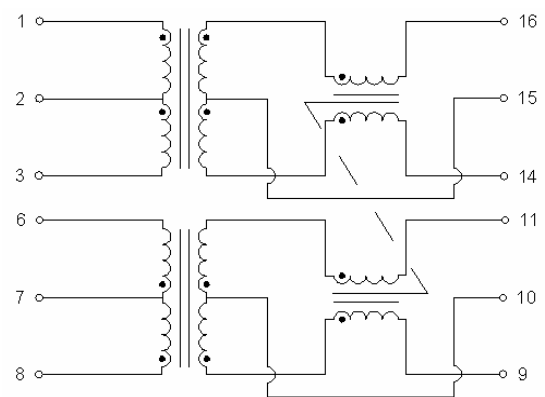
LX16104SN



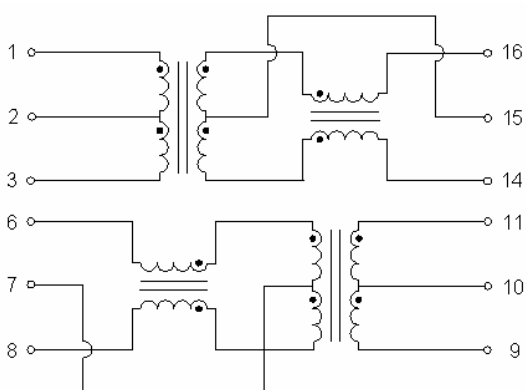
LH16113SN, LH16132SN



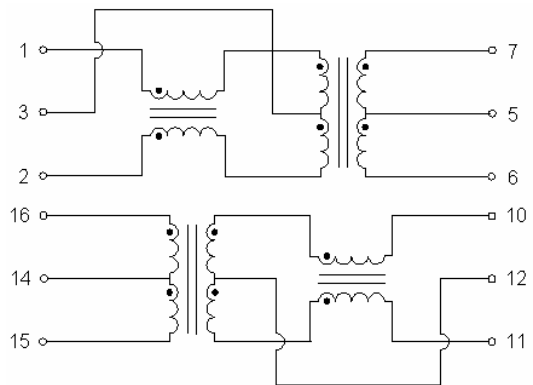
LH16114SN



LH16117SN



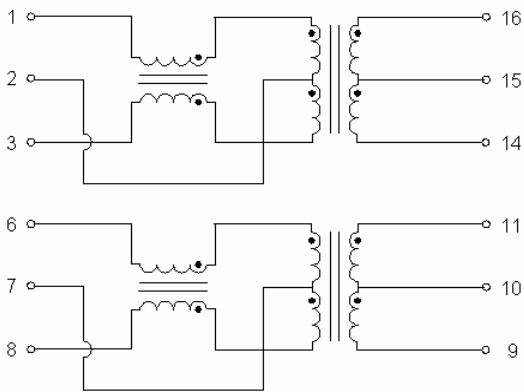
LH16121SN



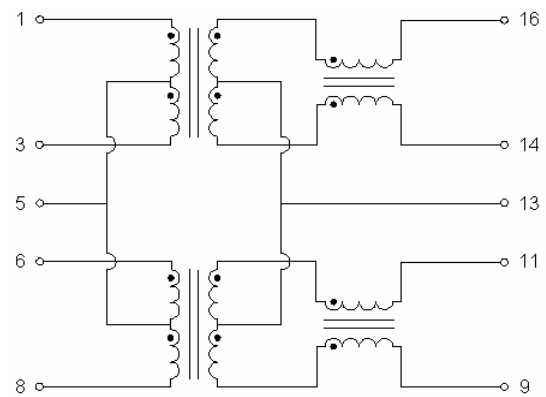
10/100BASE-T SINGLE TRANSFORMER MODULES

SCHEMATICS (Continued)

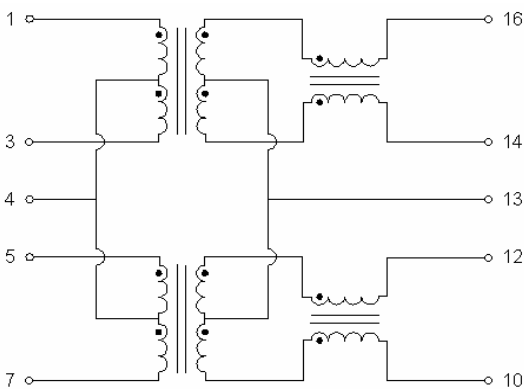
LH16125SN



LH16126SN



LH16130SN



LH16133SN

