

10/100BASE-T SINGLE TRANSFORMER MODULES

- ◆ Compliant with IEEE802.3 and ANSI X3.263 standards
Including 350uH OCL with 8mA Bias.
- ◆ Single Channel Interface For 10/100 Mbps Ethernet Applications
- ◆ Comply With ROHS



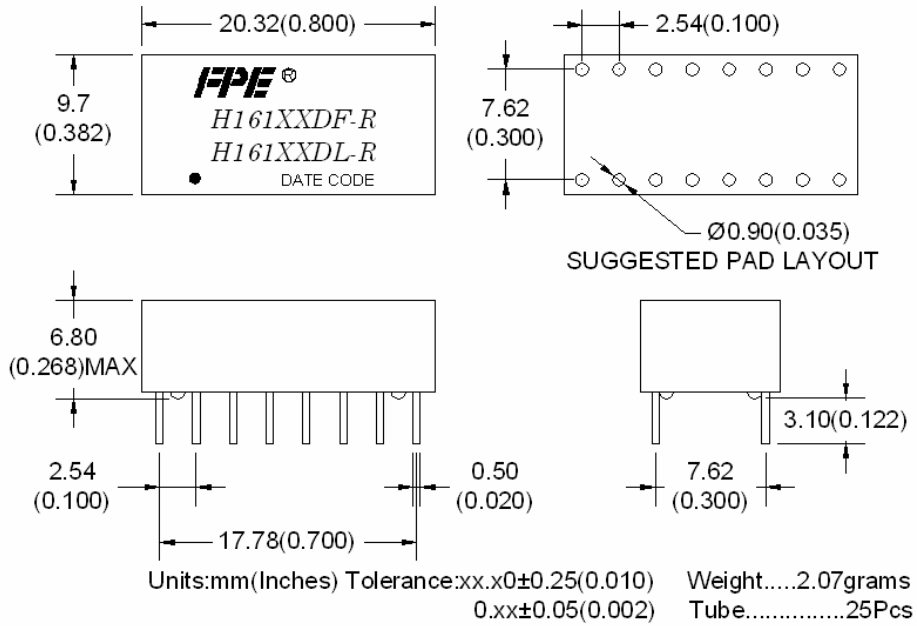
ELECTRICAL SPECIFICATIONS@25°C (Operating Temperature :0°C to 70°C)

Part Number	Turns Ratio ±5%	Insertion Loss(dB max)	Return Loss (dB min)			CMRR (dB min)			Cross Talk (dB min)			Hipot (vrms)
		1-100MHz	1-30 MHz	30-60 MHz	60-80 MHz	1-30 MHz	30-60 MHz	60-100 MHz	1-30 MHz	30-60 MHz	60-100 MHz	
H16102DF-R	1:1	-1.0	-18	-14	-12	-40	-35	-30	-45	-35	-30	1500
H16105DF-R	1:1	-1.0	-18	-14	-12	-40	-35	-30	-45	-35	-30	1500
H16107DF-R	1:1	-1.0	-18	-14	-12	-40	-35	-30	-45	-35	-30	1500
H16110DL	1:1	-1.0	-18	-14	-12	-40	-35	-30	-45	-35	-30	1500
H16114DL-R	1:1	-1.0	-18	-14	-12	-40	-35	-30	-45	-35	-30	1500
H16119DF-R	1:1	-1.0	-18	-14	-12	-40	-35	-30	-45	-35	-30	1500
H16120DF-R	1:1	-1.0	-18	-14	-12	-40	-35	-30	-45	-35	-30	1500
H16122DF-R	1:1	-1.0	-18	-14	-12	-40	-35	-30	-45	-35	-30	1500
H16125DL-R	1:1	-1.0	-18	-14	-12	-40	-35	-30	-45	-35	-30	1500

10/100BASE-T SINGLE TRANSFORMER MODULES

MECHANICAL

H161XXDF-R & H161XXDL-R

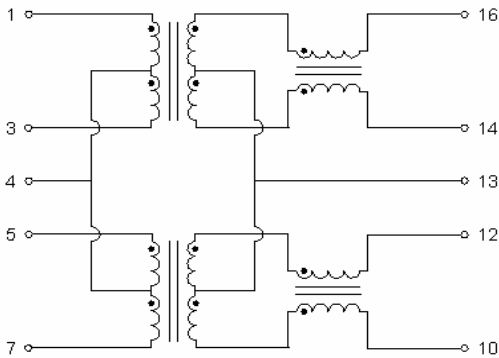


- | | | |
|--------------------------------------|---|----------------------------------|
| H16105DF-R:PIN 4&13&8&9 OMITTED | , | H16107DF-R:PIN 4&13&5&12 OMITTED |
| H16114DL-R:PIN 2&15&6&11&8&9 OMITTED | , | H16119DF-R:PIN 4&13&8&9 OMITTED |
| H16120DF-R:PIN 4&13&8&9 OMITTED | , | H16125DL-R:PIN 4&13&8&9 OMITTED |

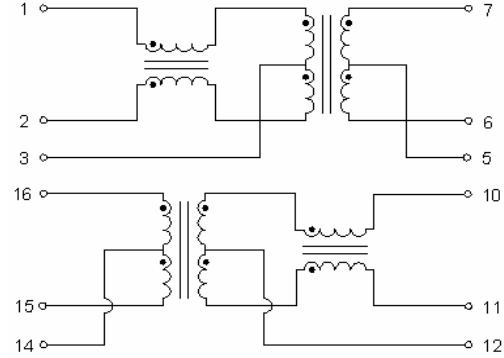
10/100BASE-T SINGLE TRANSFORMER MODULES

SCHEMATICS

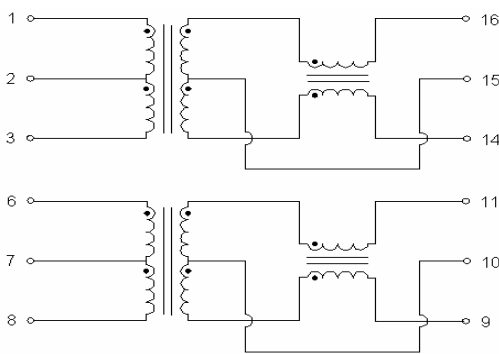
H16102DF-R



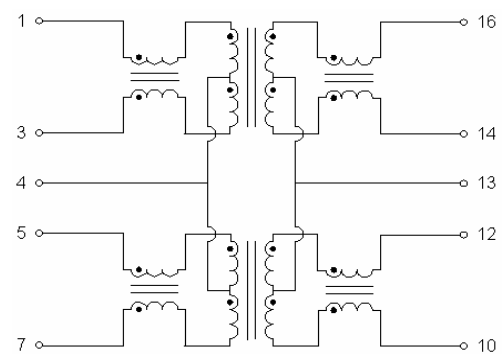
H16105DF-R



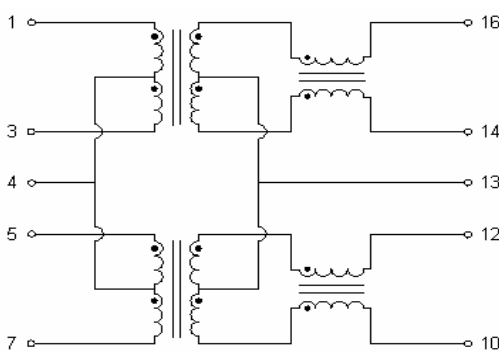
H16107DF-R



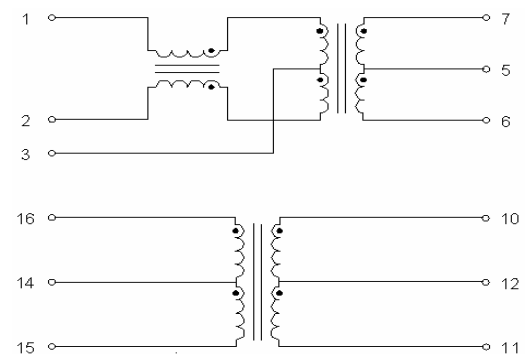
H16110DL



H16114DL-R



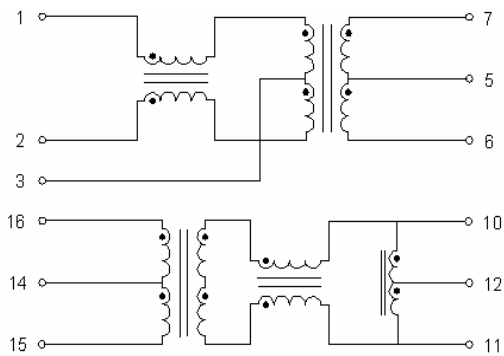
H16119DF-R



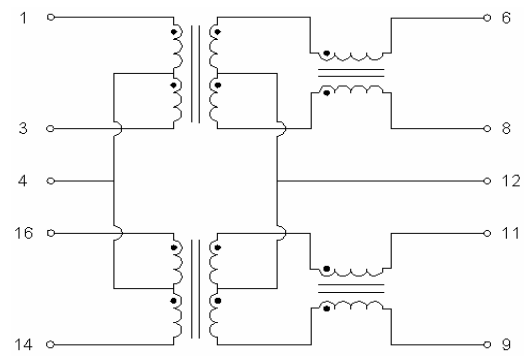
10/100BASE-T SINGLE TRANSFORMER MODULES

SCHEMATICS(Continued)

H16120DF-R



H16122DF-R



H16125DL-R

