

10/100BASE-T QUAD TRANSFORMER MODULES

- ◆ Compliant with IEEE802.3 and ANSI X3.263 standards Including 350uH OCL with 8mA Bias.
- ◆ Quad Channel Interface For 10/100 Mbps Ethernet Applications
- ◆ Comply With ROHS

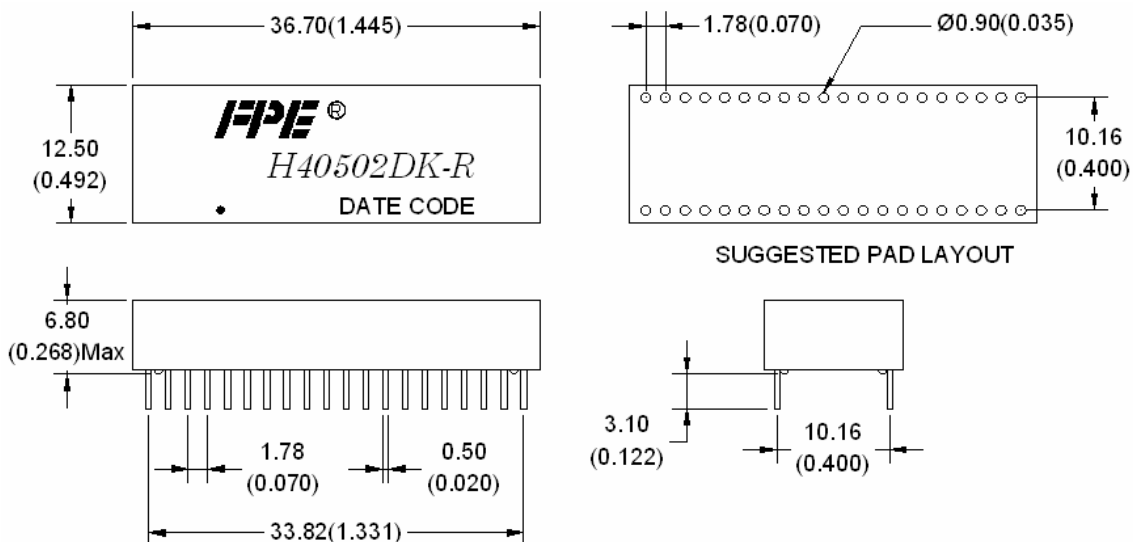


ELECTRICAL SPECIFICATIONS@25°C (Operating Temperature :0°C to 70°C)

Part Number	Turns Ratio ±5%	Insertion Loss(dB max)	Return Loss (dB min)			CMRR (dB min)			Cross Talk (dB min)			Hipot (vrms)
		1-100MHz	1-30 MHz	30-60 MHz	60-80 MHz	1-30 MHz	30-60 MHz	60-100 MHz	1-30 MHz	30-60 MHz	60-100 MHz	
H40502DK-R	1:1	-1.0	-18	-14	-12	-40	-35	-30	-45	-35	-30	1500
H40503DK-R	1:1	-1.0	-18	-14	-12	-40	-35	-30	-45	-35	-30	1500
H40508DK-R	1:1	-1.0	-18	-14	-12	-40	-35	-30	-45	-35	-30	1500
H40510DK-R	1:1	-1.0	-18	-14	-12	-40	-35	-30	-45	-35	-30	1500
H40514DK-R	1:1	-1.0	-18	-14	-12	-40	-35	-30	-45	-35	-30	1500

MECHANICAL

H40502DK-R

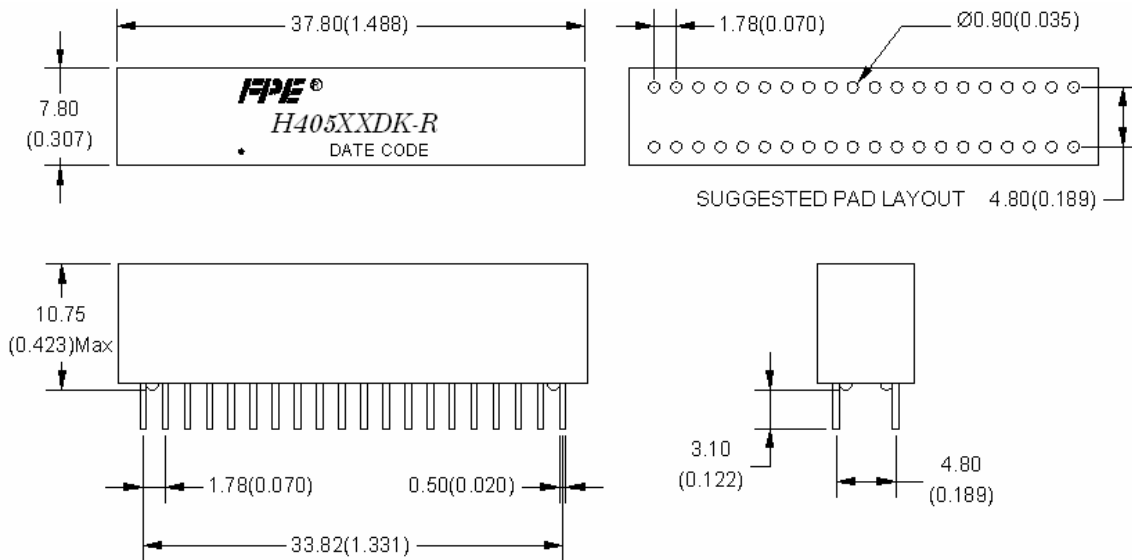


Units:mm(Inches) Tolerance:xx.x0±0.25(0.010) Weight.....5.40g typ
 0.xx±0.05(0.002) Tube.....14Pcs

10/100BASE-T QUAD TRANSFORMER MODULES

MECHANICAL(Continued)

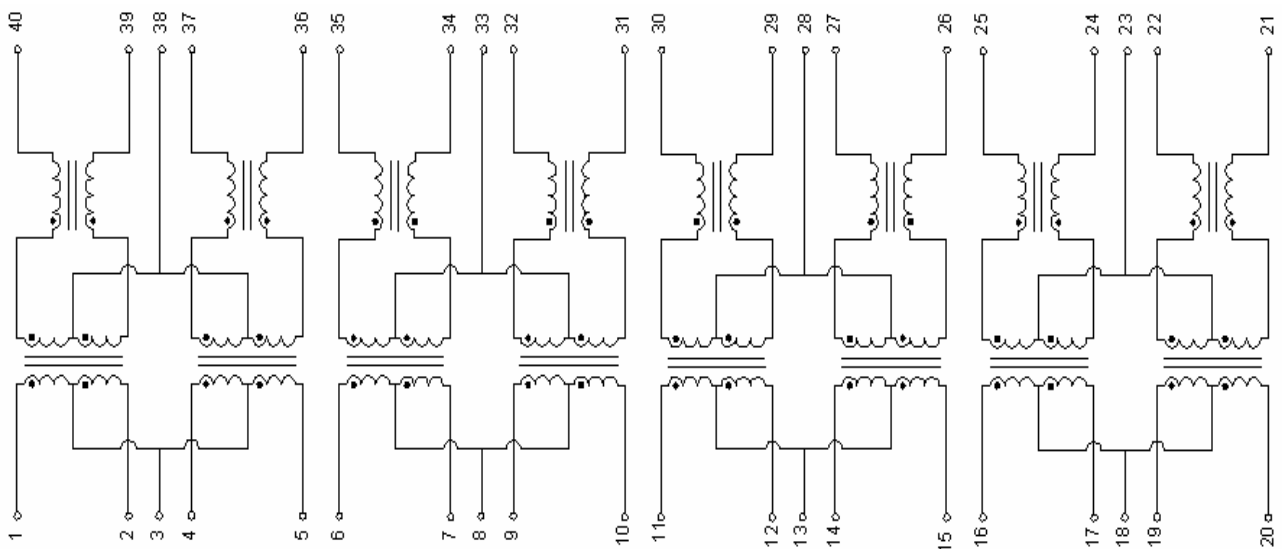
H40503DK-R, H40508DK-R, H40510DK-R, H40514DK-R



Units:mm(Inches) Tolerance:xx.x0±0.25(0.010) Weight.....5.50g typ
 0.xx±0.05(0.002) Tube.....13Pcs

SCHEMATICS

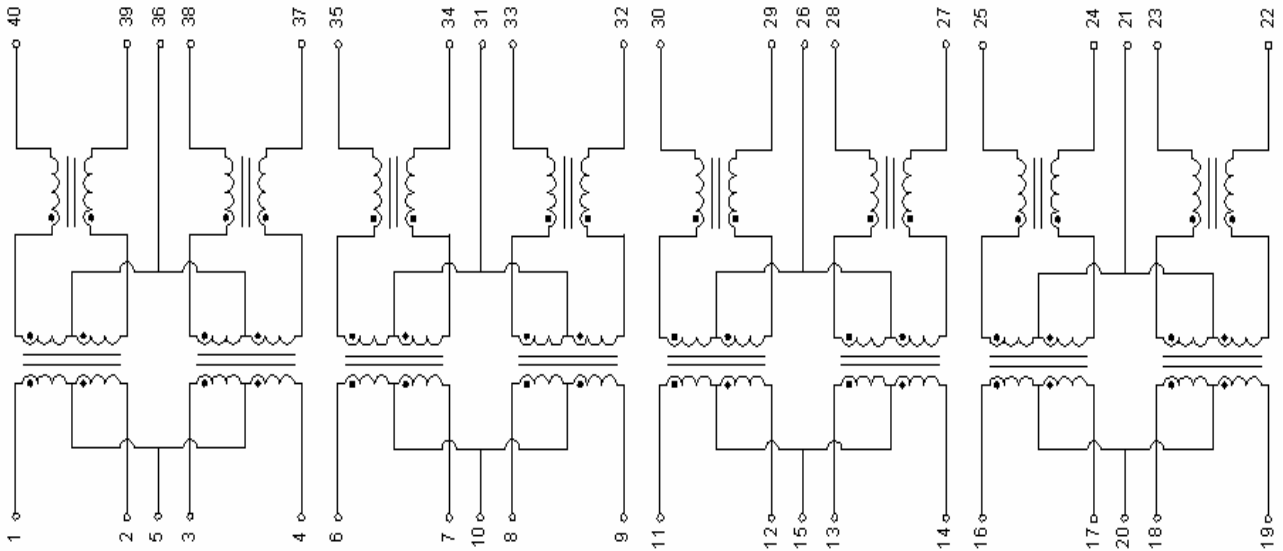
H40502DK-R, H40510DK-R



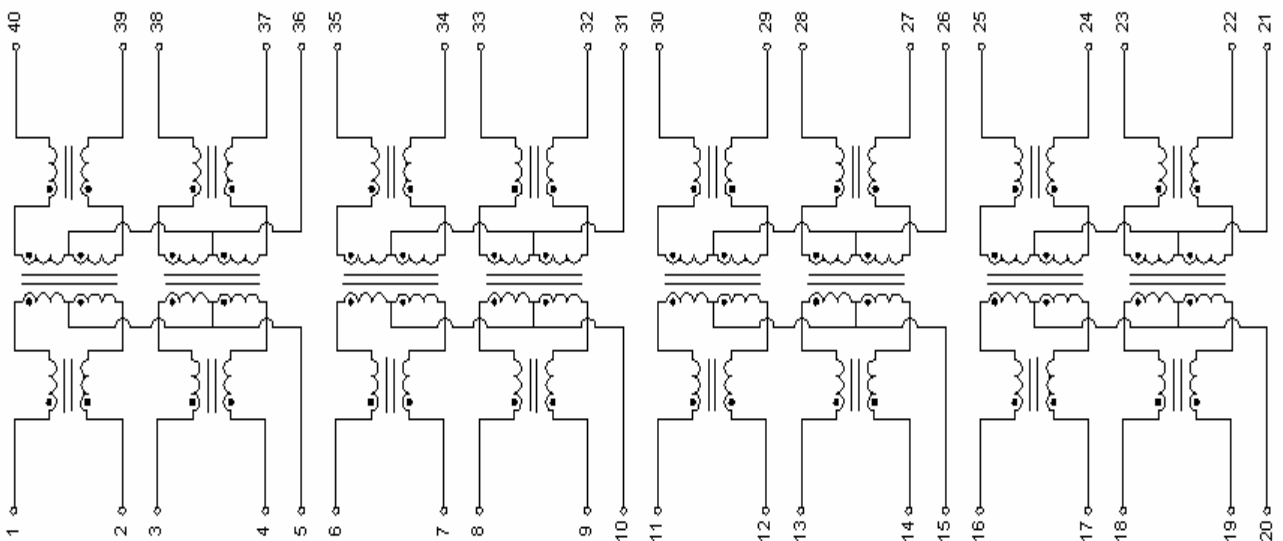
10/100BASE-T QUAD TRANSFORMER MODULES

SCHEMATICS(Continued)

H40503DK-R



H40508DK-R



10/100BASE-T QUAD TRANSFORMER MODULES

SCHEMATICS(Continued)

H40514DK-R

