

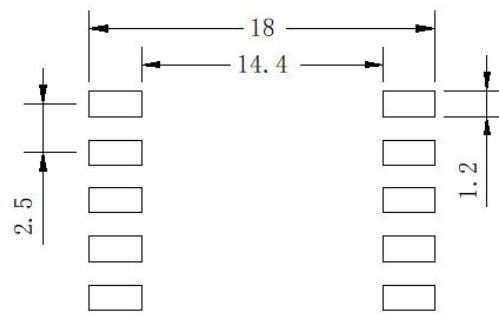
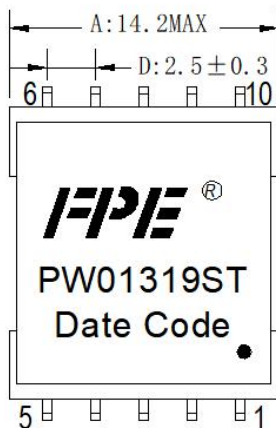
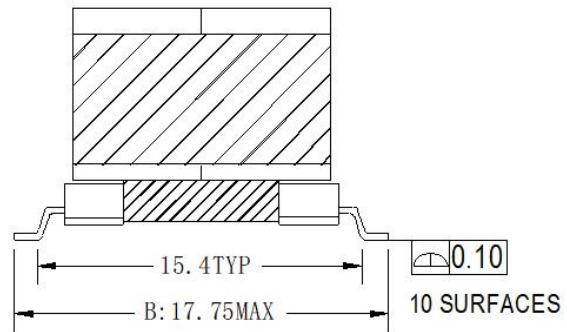
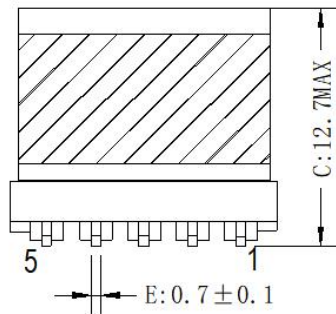
- ◆ RoHS Compliant
- ◆ Operating temperature: -40°C to +125°C
- ◆ Storage temperature: -40°C to +125°C



Electrical Specification @25°C			
PART No.	Ls@100KHz,0.1V	LK@100KHz, 0.1V	Turns Ratio@20 KHz, 1V
PW01319ST	5-4	5-4 (Short other pins)	(5-4):(2-1):(9,10)-(6,7)
	100.5uH±10%	1.1uH Max	1:0.333:0.333±2%

Continue				
DCR@25°C			Hi-pot	
5-4	2-1	6,7-9,10	PRI ,AUX TO SEC	PRI TO AUX
140mΩMax	230mΩ Max	25mΩ Max	1500VAC/5mA/60S	600VAC/5mA/60S

MECHANICAL(Unit:mm)



SUGGESTED PAD LAYOUT

SCHEMATICS

