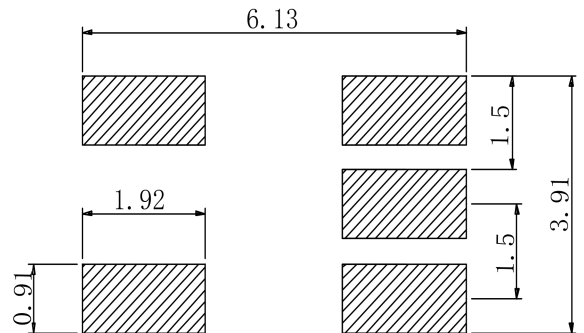
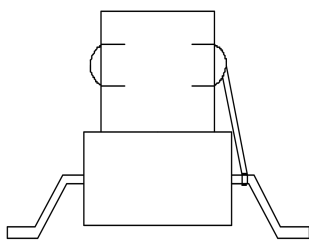
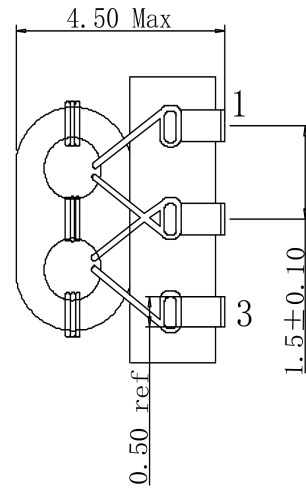
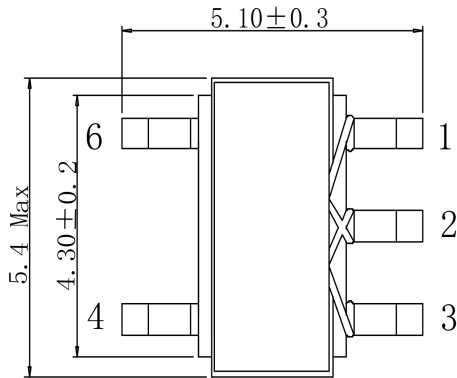


- ◆ RoHS Compliant
- ◆ Operating temperature: -40°C to +125°C
- ◆ Storage temperature: -40°C to +125°C



Electrical Specification @25°C Zo=70 Ω				
PART No.	Insertion Loss	Amplitude Unbalance (Nominal 0 dB)	Phase Unbalance (Nominal 180°)	Turns Ratio@ 20 KHz, 1V
RT032037SN	5-1200MHz	5-1200MHz	5-1200MHz	(1-2):(2-3)
	0.5dB Max	0.8dB Max	± 10° typ	3:2±2%

MECHANICAL(Unit:mm)



SCHEMATICS

