

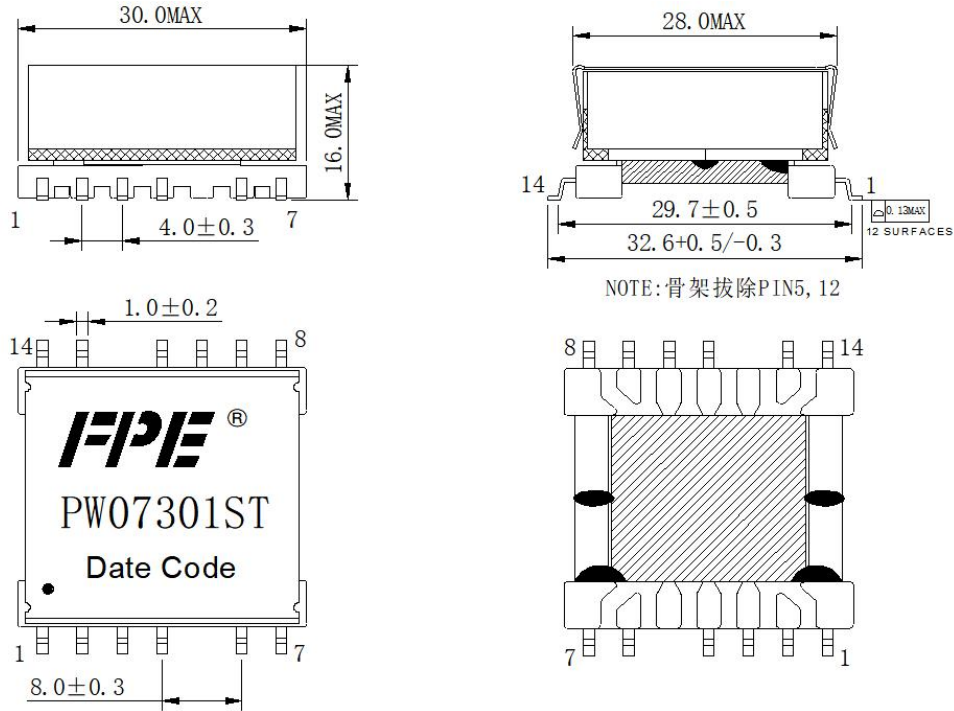
- ◆ RoHS Compliant
- ◆ Operating temperature: -40°C to +125°C
- ◆ Storage temperature: -40°C to +125°C



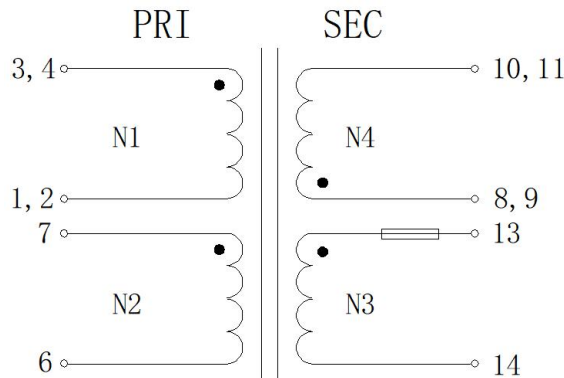
Electrical Specification @25°C				
PART No.	Ls@200KHz,1V	Ls@200KHz,1V,0.9ADC	LK@200KHz,1V	Turns Ratio@20 KHz, 1V
PW07301ST	1,2-3,4	1,2-3,4	1,2-3,4 (short other pins)	(3,4-1,2):(7-6):(13-14):(8,9-10,11)
	20uH±10%	16uH MIN	0.65uH Max	10:8:5:3±3%

Continue						
DCR@25°C				Hi-pot(2mA,60S)	IR (500Vdc)	Impulse(1500 Vac)
3,4-1,2	7-6	8,9-10,11	13-14	PRI to SEC,COIL to CORE	COIL to CORE	3,4-1,2
26mΩ Max	154mΩ Max	6.5mΩ Max	140mΩ Max	4000VDC,2000VDC	100MΩ Min	10 pulses without breakdown

MECHANICAL(Unit:mm)



SCHEMATICS



● : POLARITY/极性
 □ : TUBE/套管